

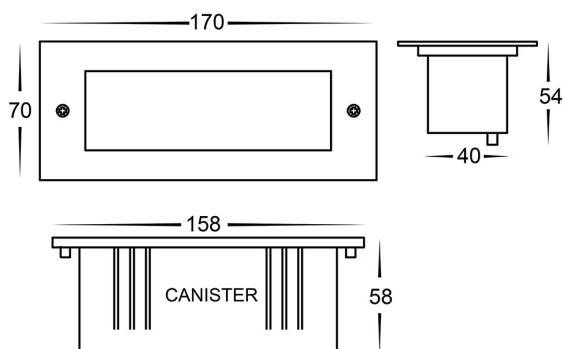
316 Stainless Steel & Black Brick Lights

PRODUCT SPECIFICATIONS

Name: Bata
Material: 316 Stainless Steel + Aluminium
Colour: Stainless Steel + Black
IP Rating: IP54
Lamp Base: Built in LED
CRI: ≥80
Cable Length: 200mm
Wiring: Parallel
Dimmable: No
Warranty: 2 Years Replacement**



DIMENSIONS



COLOUR TEMPERATURE

Tri-Colour By Havit

3000K

4000K

5500K



IP RATING



APPROVALS



Product Ordering

IMAGE	PART NUMBER	COLOURTEMP	LUMENS	INPUT	BEAM ANGLE	INCLUDED LED
	HV3005T-BLK-12V	3000K 4000K 5500K	480lm 510lm 540lm	12v DC	120°	Tri-Colour 6w Built in LED
	HV3005T-SS316-12V	3000K 4000K 5500K	480lm 510lm 540lm	12v DC	120°	Tri-Colour 6w Built in LED

12v DC models must be used with suitable 12v DC LED Driver

* Lumen output measured at source

** See Warranty Terms and Conditions for more information

For more information contact Havit Lighting

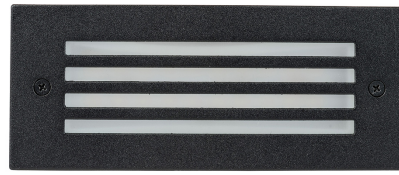
ADDRESS:
 143 Beauchamp Road
 Matraville NSW 2036
 Australia

Tel: 02 9381 8300
 Fax: 02 9666 8881
 Email: sales@havit.com.au
 web: www.havit.com.au

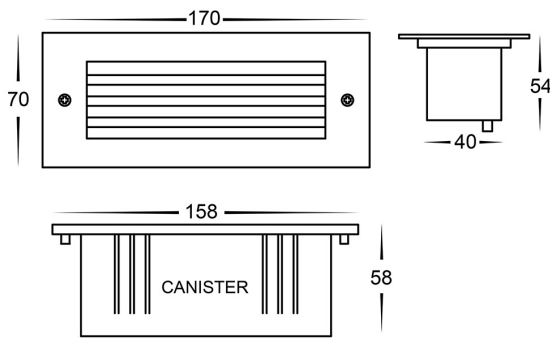
316 Stainless Steel & Black Brick Lights with Grill

PRODUCT SPECIFICATIONS

Name: Bata
Material: 316 Stainless Steel + Aluminium
Colour: Stainless Steel + Black
IP Rating: IP54
Lamp Base: Built in LED
CRI: ≥80
Cable Length: 200mm
Wiring: Parallel
Dimmable: No
Warranty: 2 Years Replacement**



DIMENSIONS



COLOUR TEMPERATURE

Tri-Colour By Havit

3000K

4000K

5500K





IP RATING



APPROVALS



Product Ordering

IMAGE	PART NUMBER	COLOURTEMP	LUMENS	INPUT	BEAM ANGLE	INCLUDED LED
	HV3006T-BLK-12V	3000K 4000K 5500K	480lm 510lm 540lm	12v DC	120°	Tri-Colour 6w Built in LED
	HV3006T-SS316-12V	3000K 4000K 5500K	480lm 510lm 540lm	12v DC	120°	Tri-Colour 6w Built in LED

12v DC models must be used with suitable 12v DC LED Driver

* Lumen output measured at source

** See Warranty Terms and Conditions for more information

For more information contact Havit Lighting

ADDRESS:
 143 Beauchamp Road
 Matraville NSW 2036
 Australia

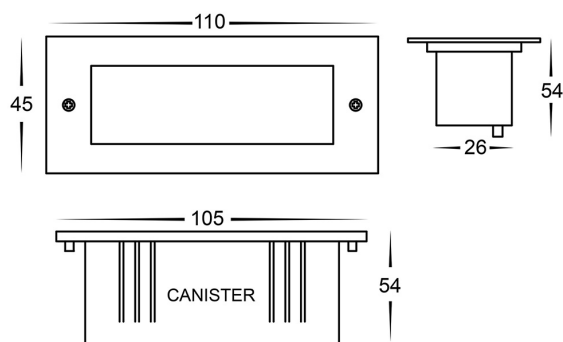
Tel: 02 9381 8300
 Fax: 02 9666 8881
 Email: sales@havitt.com.au
 web: www.havitt.com.au

PRODUCT SPECIFICATIONS

Name: Bata
Material: 316 Stainless Steel + Aluminium
Colour: Stainless Steel + Black
IP Rating: IP54
Lamp Base: Built in LED
CRI: ≥80
Cable Length: 200mm
Wiring: Parallel
Dimmable: No
Warranty: 2 Years Replacement**



DIMENSIONS



COLOUR TEMPERATURE

Tri-Colour By Havit

3000K

4000K

5500K



IP RATING



APPROVALS



Product Ordering

IMAGE	PART NUMBER	COLOURTEMP	LUMENS	INPUT	BEAM ANGLE	INCLUDED LED
	HV3007T-BLK-12V	3000K 4000K 5500K	240lm 255lm 270lm	12v DC	120°	Tri-Colour 3w Built in LED
	HV3007T-SS316-12V	3000K 4000K 5500K	240lm 255lm 270lm	12v DC	120°	Tri-Colour 3w Built in LED

12v DC models must be used with suitable 12v DC LED Driver

* Lumen output measured at source

** See Warranty Terms and Conditions for more information

For more information contact Havit Lighting

ADDRESS:
 143 Beauchamp Road
 Matraville NSW 2036
 Australia

Tel: 02 9381 8300
 Fax: 02 9666 8881
 Email: sales@havit.com.au
 web: www.havit.com.au

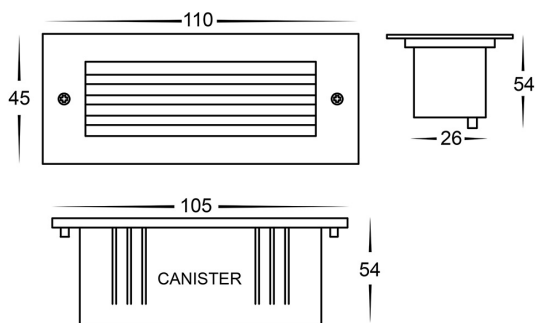
316 Stainless Steel & Black Brick Lights with Grill

PRODUCT SPECIFICATIONS

Name: Bata
Material: 316 Stainless Steel + Aluminium
Colour: Stainless Steel + Black
IP Rating: IP54
Lamp Base: Built in LED
CRI: ≥80
Cable Length: 200mm
Wiring: Parallel
Dimmable: No
Warranty: 2 Years Replacement**



DIMENSIONS



COLOUR TEMPERATURE

Tri-Colour By Havit

3000K

4000K

5500K

IP RATING



APPROVALS



Product Ordering

IMAGE	PART NUMBER	COLOURTEMP	LUMENS	INPUT	BEAM ANGLE	INCLUDED LED
	HV3008T-BLK-12V	3000K 4000K 5500K	240lm 255lm 270lm	12v DC	120°	Tri-Colour 3w Built in LED
	HV3008T-SS316-12V	3000K 4000K 5500K	240lm 255lm 270lm	12v DC	120°	Tri-Colour 3w Built in LED

12v DC models must be used with suitable 12v DC LED Driver

* Lumen output measured at source

** See Warranty Terms and Conditions for more information

For more information contact Havit Lighting

ADDRESS:
 143 Beauchamp Road
 Matraville NSW 2036
 Australia

Tel: 02 9381 8300
 Fax: 02 9666 8881
 Email: sales@havitt.com.au
 web: www.havitt.com.au