

QUADRO ADVANCED

Quadro Advanced Bunker IP65, Tri-colour, Dual Power

FEATURES

- IP65 weatherproof rating and vandal-proof IK08 rating
- 8 years design life at max. ambient
- Tri-colour selectable 3000K / 4000K / 6000K
- Emergency and non-emergency models
- Selectable power consumption: 20W or 12W
- Single Point Unit (SPU)
- High quality lithium battery (LiFePO4)



ORDERING INFORMATION	
Order code	14521
Description	Ektor Quadro LED Emergency bunker IP65
Driver Type	Fixed output
Item Code	EV-QUADRO-ADV-EM

MECHANICAL	
Body Material	Polycarbonate
Diffuser Material	Polycarbonate
IK Rating	IK08
Installation Type	Surface mount
IP Rating	IP65

ELECTRICAL	
Electrical Rating	Class I
Input Frequency	50 Hz
Input voltage	230Vac
In Australia the Input voltage is defined as 230Vac -6%/+10%. This effectively means that the voltage range of these products are 216Vac - 253Vac or 240V +6%	
System Max Wattage	23 W
Working Temp Range	0 to 40 °C

LAMP	
Macadam Steps (SDCM)	5-step MacAdam Ellipse
CRI	>80
Lamp/LED Current	460 mA
Lamp/LED voltage	36 V
System Efficiency	130 lm/W

LED LIFETIME		
Ambient Temp (°C)	25 °C	40 °C
L90B10	42000 hrs	38000 hrs
L80B10	>60000 hrs	>60000 hrs
L70B10	>60000 hrs	>60000 hrs
This rating defines the performance of the led within its lifetime. L relates to lumen depreciation, where the proceeding number gives the resultant lumen output at the end of it reported lifetime. L70, would mean 30% lumen depreciation which means 70% of its initial output and is tested accordingly to TM-21. The B part refers to failures, which can be define as the percentage of LEDs which fall below the L value in the projected lifetime. A value of B10 refers to 10% failure and a value of B50 refers to 50% failure. After the defined lifetime, the system will reach the defined lumen depreciation and the average led failures is defined by the B rating. The B rating is defined in and tested to IEC62717.		
TM-21 Test Hours	9000 hrs	

COLOUR TEMPERATURE

CCT	3000 K
LED Wattage	18 W
Luminaire Lumens	2200 lm

All photometric data has a tolerance of $\pm 10\%$. Luminaire lumens refers to the exit lumens or delivered lumens from the luminaire.

DRIVER

Dimmable	No
Driver Included	Yes
Integrated Driver	No
Driver Type	Fixed output
PSTLM	0.09
SVM	0.01
Wiring Type	Re-wireable terminal block (4 pin)

EMERGENCY (EM SUFFIX)

Replacement Battery Code	1302
Emergency Classification	C0:D50, C90:D50
Emergency Duration	90 mins
Emergency Mode	Maintained

COMPLIANCE

Product Design Life	8 years
---------------------	---------

The product design life relates to the total product life which includes LEDs, drivers and the enclosure. This is different to the LED lifetime which only refers to the economical lifetime of the LEDs at which time the lumen output has dropped below the L Value. The product design life is calculated at the maximum ambient or working temperature of the product and takes into account the Daily Use.

Standards	AS/NZS 60598.1 AS 60598.2.22 AS/NZS 61347.1 AS/NZS 61347.2.13 AS/NZS 61058.1 AS/NZS CISPR 15 AS/NZS 2293.3
-----------	--

WARRANTY

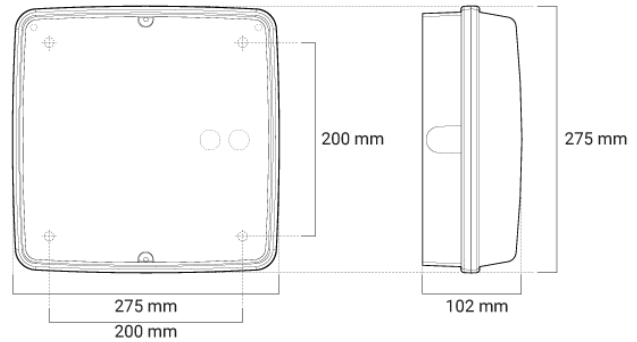
Commercial Use Warranty	5Y return to base on General lighting components 6Y return to base on Emergency lighting components
-------------------------	--

DIMENSIONS

Product Height	102 mm
Product Length	275 mm
Product Width	275 mm

LINE DRAWINGS

EV/QUADRO/ADV



QUADRO ADVANCED

Quadro Advanced Bunker IP65, Tri-colour, Dual Power

FEATURES

- IP65 weatherproof rating and vandal-proof IK08 rating
- 8 years design life at max. ambient
- Tri-colour selectable 3000K / 4000K / 6000K
- Emergency and non-emergency models
- Selectable power consumption: 20W or 12W
- Single Point Unit (SPU)
- High quality lithium battery (LiFePO4)
- Inbuilt mains rated microwave sensor
- Corridor mode



ORDERING INFORMATION	
Order code	14523
Description	Ektor Quadro LED Emergency bunker IP65 w/corridor function sensor
Driver Type	Fixed output
Item Code	EV-QUADRO-ADV-EM-S

MECHANICAL	
Body Material	Polycarbonate
Diffuser Material	Polycarbonate
IK Rating	IK08
Installation Type	Surface mount
IP Rating	IP65

ELECTRICAL	
Electrical Rating	Class I
Input Frequency	50 Hz
Input voltage	230Vac
In Australia the Input voltage is defined as 230Vac -6%/+10%. This effectively means that the voltage range of these products are 216Vac - 253Vac or 240V +6%	
System Max Wattage	23 W
Working Temp Range	0 to 40 °C

LAMP	
Macadam Steps (SDCM)	5-step MacAdam Ellipse
CCT Configuration	TRI-CCT
CRI	>80
Lamp/LED Current	460 mA
Lamp/LED voltage	36 V
System Efficiency	130 lm/W

LED LIFETIME		
Ambient Temp (°C)	25 °C	40 °C
L90B10	43000 hrs	38000 hrs
L80B10	>60000 hrs	>60000 hrs
L70B10	>60000 hrs	>60000 hrs
This rating defines the performance of the led within its lifetime. L relates to lumen depreciation, where the proceeding number gives the resultant lumen output at the end of it reported lifetime. L70, would mean 30% lumen depreciation which means 70% of its initial output and is tested accordingly to TM-21. The B part refers to failures, which can be define as the percentage of LEDs which fall below the L value in the projected lifetime. A value of B10 refers to 10% failure and a value of B50 refers to 50% failure. After the defined lifetime, the system will reach the defined lumen depreciation and the average led failures is defined by the B rating. The B rating is defined in and tested to IEC62717.		
TM-21 Test Hours	9000 hrs	

COLOUR TEMPERATURE

CCT	3000 K
LED Wattage	18 W
Luminaire Lumens	2200 lm

All photometric data has a tolerance of $\pm 10\%$. Luminaire lumens refers to the exit lumens or delivered lumens from the luminaire.

DRIVER

Dimmable	No
Driver Included	Yes
Integrated Driver	No
Driver Type	Fixed output
PSTLM	0.09
SVM	0.01
Wiring Type	Re-wireable terminal block (4 pin)

SENSOR (S SUFFIX)

Adjustable Detection Area / Sensitivity	Yes
Adjustable Hold Time	Yes
Adjustable Standby Level	Yes
Adjustable Standby Period	Yes
Corridor Function	Yes
Detection Range	10 m
Dusk Mode	Yes
Lux Adjustment	Yes
Sensor Type	Microwave
Switched Output	No
Time Delay	5s-14mins

EMERGENCY (EM SUFFIX)

Replacement Battery Code	1302
Emergency Classification	C0:D50, C90:D50
Emergency Duration	90 mins
Emergency Mode	Maintained

COMPLIANCE

Product Design Life 8 years

The product design life relates to the total product life which includes LEDs, drivers and the enclosure. This is different to the LED lifetime which only refers to the economical lifetime of the LEDs at which time the lumen output has dropped below the L Value. The product design life is calculated at the maximum ambient or working temperature of the product and takes into account the Daily Use.

Standards	AS/NZS 60598.1 AS 60598.2.22 AS/NZS 61347.1 AS/NZS 61347.2.13 AS/NZS 61058.1 AS/NZS CISPR 15 AS/NZS 2293.3 AS/NZS 4268
------------------	---

WARRANTY

Commercial Use Warranty	5Y return to base on General lighting components 6Y return to base on Emergency lighting components
--------------------------------	--

DIMENSIONS

Product Height	102 mm
Product Length	275 mm
Product Width	275 mm

LINE DRAWINGS

EV/QUADRO/ADV

