

# PEARL ADVANCED IP54

Pearl Advanced Circular IP54, Tri-Colour, 325 mm

## FEATURES

- Tri-colour selection
- IP54 weatherproof rating



ORDERING INFORMATION	
Order code	11020
Description	Pearl Circular Lite Emergency IP54 - 12.5W
Driver Type	Fixed output
Item Code	EV-PEARL-EM-IP54-LITE

MECHANICAL	
Body Material	Polycarbonate
Diffuser Material	Polycarbonate
Fitting Colour	White
Installation Type	Surface mount
IP Rating	IP54

ELECTRICAL	
Electrical Rating	Class II
Input Frequency	50 Hz
Input voltage	230Vac
In Australia the Input voltage is defined as 230Vac -6%/+10%. This effectively means that the voltage range of these products are 216Vac - 253Vac or 240V +6%	
Maximum Wattage	16 W
Switch Type	Inline
Working Temp Range	0 to 40 °C

LAMP	
CCT Configuration	TRI-CCT
CRI	>80

LED LIFETIME	
LED Lifetime	>54,000 hrs
This is the Reported LED Lifetime in Hours based on TM-21. Ektor does not list the projected or calculated LED lifetime, which is normally longer as TM-21 Addendum B explicitly states "The Calculated and Projected Lp(Dk) are not to be reported". This Lifetime refers to the life of a single LED however the system life is longer since the probability and binomial distribution of all LEDs in the system means that the average led is performing above the specification and compensates for the LEDs falling below.	
TM-21 Test Hours	9000 hrs

COLOUR TEMPERATURE	
CCT	3000 K
Luminaire Lumens	1250 lm
All photometric data has a tolerance of ±10%. Luminaire lumens refers to the exit lumens or delivered lumens from the luminaire.	

DRIVER	
Dimmable	No
Driver Included	Yes
Integrated Driver	No
Driver Type	Fixed output
Wiring Type	Re-wireable terminal block (4 pin)

### EMERGENCY (EM SUFFIX)

Replacement Battery Code	01302
Emergency Classification	C0:D32, C90:D32
Emergency Duration	90 mins
Emergency Lumen Output	312 lm
Emergency Mode	Maintained
Emergency Output Power	3300 mW

### COMPLIANCE

**Product Design Life** 8 years

The product design life relates to the total product life which includes LEDs, drivers and the enclosure. This is different to the LED lifetime which only refers to the economical lifetime of the LEDs at which time the lumen output has dropped below the L Value. The product design life is calculated at the maximum ambient or working temperature of the product and takes into account the Daily Use.

<b>Standards</b>	AS/NZS 60598.1 AS 60598.2.22 AS/NZS 61347.1 AS/NZS 61347.2.13 AS CISPR 15 AS/NZS 2293.3
------------------	--

### WARRANTY

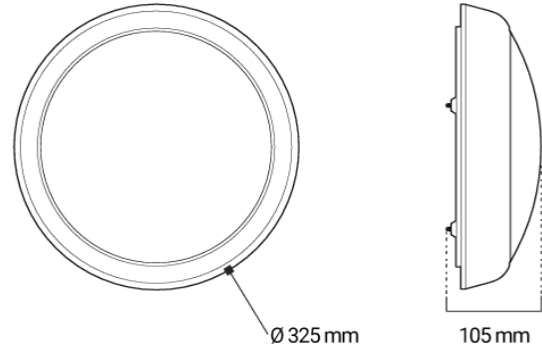
<b>Commercial Use Warranty</b>	5Y return to base on General lighting components 6Y return to base on Emergency lighting components
--------------------------------	--

### DIMENSIONS

<b>Product Diameter</b>	325 mm
<b>Product Height</b>	105 mm

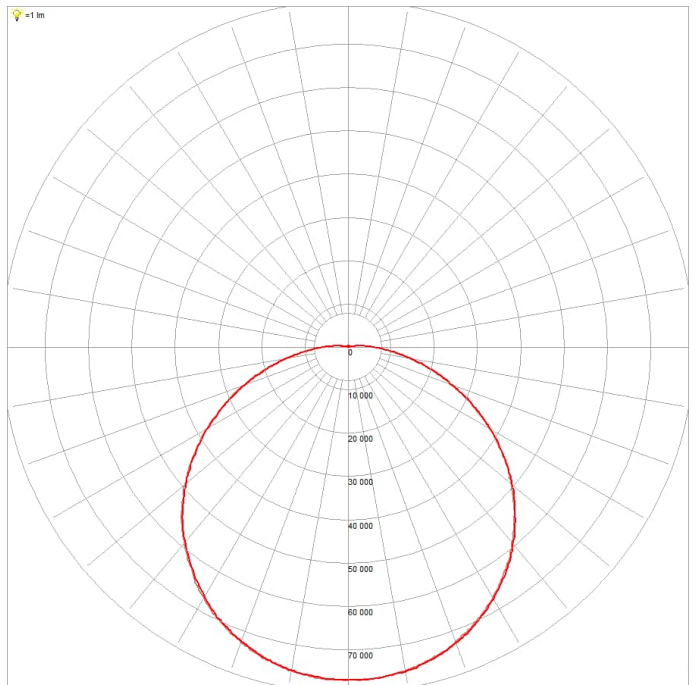
### LINE DRAWINGS

EV/PEARL/IP54/S



### PHOTOMETRICS

EV/PEARL/EM/IP54/LITE/S



# PEARL ADVANCED IP54

Pearl Advanced Circular IP54, Tri-Colour, 325 mm

## FEATURES

- Tri-colour selection
- IP54 weatherproof rating
- Inbuilt mains rated microwave sensor
- Corridor mode



ORDERING INFORMATION	
Order code	11013
Description	Pearl Circular Lite Emergency IP54 with Sensor - 12.5W
Driver Type	Fixed output
Item Code	EV-PEARL-EM-IP54-LITE-S

MECHANICAL	
Body Material	Polycarbonate
Diffuser Material	Polycarbonate
Fitting Colour	White
IK Rating	IK08
Installation Type	Surface mount
IP Rating	IP54

ELECTRICAL	
Electrical Rating	Class II
Input Frequency	50 Hz
Input voltage	230Vac
In Australia the Input voltage is defined as 230Vac -6%/+10%. This effectively means that the voltage range of these products are 216Vac - 253Vac or 240V +6%	
Maximum Wattage	17 W
Switch Type	Inline
Working Temp Range	0 to 40 °C

LAMP	
CCT Configuration	TRI-CCT
CRI	>80

LED LIFETIME	
LED Lifetime	>54,000 hrs
This is the Reported LED Lifetime in Hours based on TM-21. Ektor does not list the projected or calculated LED lifetime, which is normally longer as TM-21 Addendum B explicitly states "The Calculated and Projected Lp(Dk) are not to be reported". This Lifetime refers to the life of a single LED however the system life is longer since the probability and binomial distribution of all LEDs in the system means that the average led is performing above the specification and compensates for the LEDs falling below.	
TM-21 Test Hours	9000 hrs

COLOUR TEMPERATURE	
CCT	3000 K
Luminaire Lumens	1140 lm
All photometric data has a tolerance of ±10%. Luminaire lumens refers to the exit lumens or delivered lumens from the luminaire.	

DRIVER	
Dimmable	No
Driver Included	Yes
Integrated Driver	No
Driver Type	Fixed output
Wiring Type	Re-wireable terminal block (4 pin)

### SENSOR (S SUFFIX)

Adjustable Detection Area / Sensitivity	Yes
Adjustable Hold Time	Yes
Adjustable Standby Level	No
Adjustable Standby Period	No
Corridor Function	No
Dawn Reset	No
Detection Range	6 m
Dusk Mode	Yes
Load Types	LED
Lux Adjustment	Yes
Lux Range	3-1000 lx
Manual Override	No
Sensor Type	Microwave
Switched Output	Yes
Switched Output Rating	125 W
Time Delay	12

### EMERGENCY (EM SUFFIX)

Replacement Battery Code	01302
Emergency Classification	C0:D32, C90:D32
Emergency Duration	90 mins
Emergency Lumen Output	312 lm
Emergency Mode	Maintained
Emergency Output Power	3300 mW

### COMPLIANCE

**Product Design Life** 8 years

The product design life relates to the total product life which includes LEDs, drivers and the enclosure. This is different to the LED lifetime which only refers to the economical lifetime of the LEDs at which time the lumen output has dropped below the L Value. The product design life is calculated at the maximum ambient or working temperature of the product and takes into account the Daily Use.

<b>Standards</b>	AS/NZS 60598.1 AS 60598.2.22 AS/NZS 61347.1 AS/NZS 61347.2.13 AS CISPR 15 AS/NZS 2293.3
------------------	--

### WARRANTY

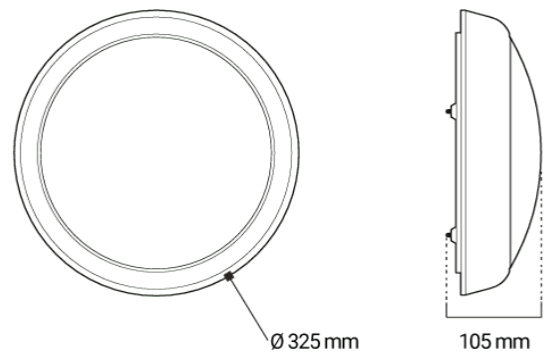
<b>Commercial Use Warranty</b>	5Y return to base on General lighting components 6Y return to base on Emergency lighting components
--------------------------------	--

### DIMENSIONS

<b>Product Diameter</b>	325 mm
<b>Product Height</b>	105 mm

### LINE DRAWINGS

EV/PEARL/IP54/S



### PHOTOMETRICS

EV/PEARL/EM/IP54/LITE/S

