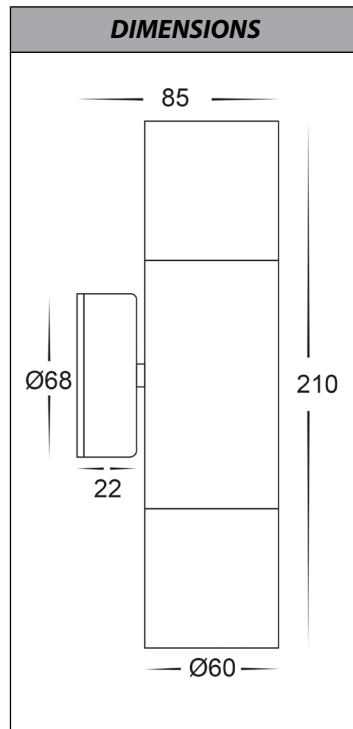
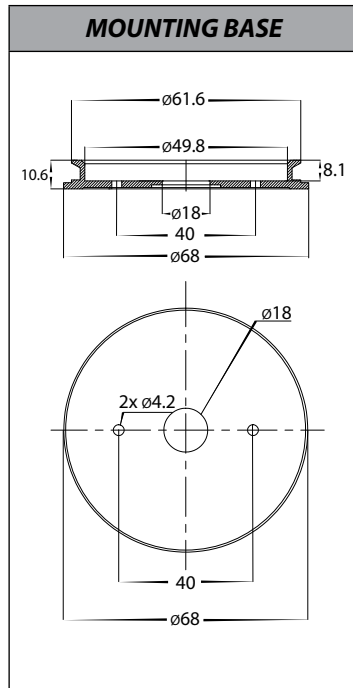


Tivah 316 Stainless Steel Up & Down Light

PRODUCT SPECIFICATIONS	
Name	Tivah
Material	316 Stainless Steel
Colour	Stainless Steel
IP Rating	IP65
Lamp Base	GU10 or MR16
CRI	> 80
Wiring	Parallel
Dimmable	No - not with supplied globes
Warranty	2 Years Replacement



COLOUR TEMP	IP RATING	APPROVAL



OPTIONAL DIMMABLE GU10 GLOBES (sold separately)

HV9555 Models

HV9506D

RECOMMENDED DIMMER FOR GU10 DIMMABLE GLOBES

HV9625

PART NUMBER	COLOUR TEMP	LUMENS	INPUT VOLTAGE	BEAM ANGLE	INCLUDED LED
HV1005T	3000K 4000K 5500K	2x 240-560lm 2x 255-595lm 2x 270-640lm	240v AC	60°	9in1 TRI Colour 2x 3/5/7w GU10 LED
HV1007GU10T	3000K 4000K 5500K	2x 270lm 2x 285lm 2x 300lm	240v AC	120°	TRI Colour 2x 5w GU10 LED
HV1007MR16T	3000K 4000K 5500K	2x 270lm 2x 285lm 2x 300lm	12v DC	120°	TRI Colour 2x 5w MR16 LED (Must be used with a 12v DC LED Driver)

For More Information Contact Havit Lighting

143 Beauchamp Road
Matraville NSW 2036
Australia

Tel: 02 9381 83000
Fax: 02 9666 888
Email: sales@havit.com.au
Web: www.havit.com.au



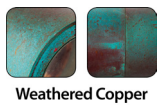
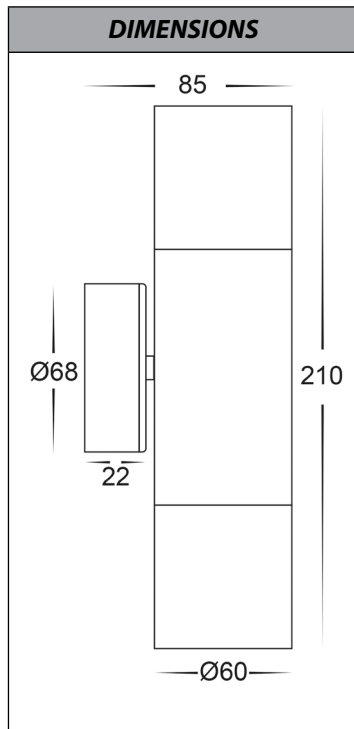
Warranty Terms & Conditions



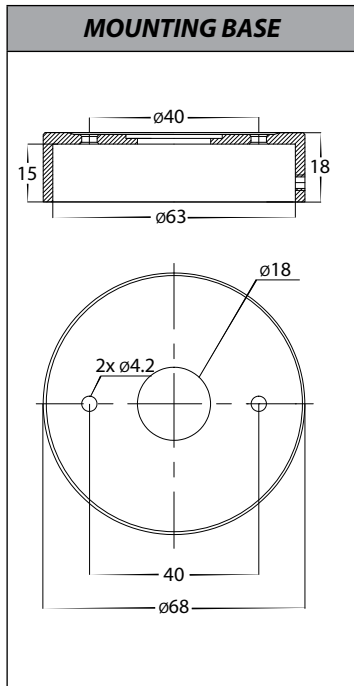
Additional Information

Tivah Solid Copper Up & Down Light

PRODUCT SPECIFICATIONS	
Name	Tivah
Material	Solid Copper
Colour	Copper (will age over time)
IP Rating	IP65
Lamp Base	GU10 or MR16
CRI	> 80
Wiring	Parallel
Dimmable	No - not with supplied globes
Warranty	2 Years Replacement



COLOUR TEMP	IP RATING	APPROVAL



OPTIONAL DIMMABLE GU10 GLOBES (sold separately)

HV9555 Models

HV9506D

RECOMMENDED DIMMER FOR GU10 DIMMABLE GLOBES

HV9625



PART NUMBER	COLOUR TEMP	LUMENS	INPUT VOLTAGE	BEAM ANGLE	INCLUDED LED
HV1015T	3000K 4000K 5500K	2x 240-560lm 2x 255-595lm 2x 270-640lm	240v AC	60°	9in1 TRI Colour 2x 3/5/7w GU10 LED
HV1017GU10T	3000K 4000K 5500K	2x 270lm 2x 285lm 2x 300lm	240v AC	120°	TRI Colour 2x 5w GU10 LED
HV1017MR16T	3000K 4000K 5500K	2x 270lm 2x 285lm 2x 300lm	12v DC	120°	TRI Colour 2x 5w MR16 LED (Must be used with a 12v DC LED Driver)

For More Information Contact Havit Lighting

143 Beauchamp Road
Matraville NSW 2036
Australia

Tel: 02 9381 83000
Fax: 02 9666 888
Email: sales@havit.com.au
Web: www.havit.com.au



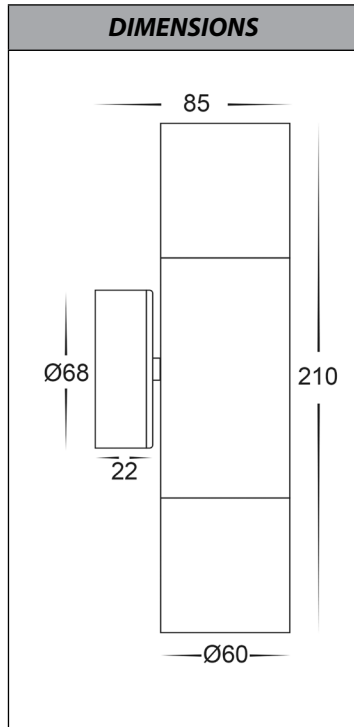
Warranty Terms & Conditions



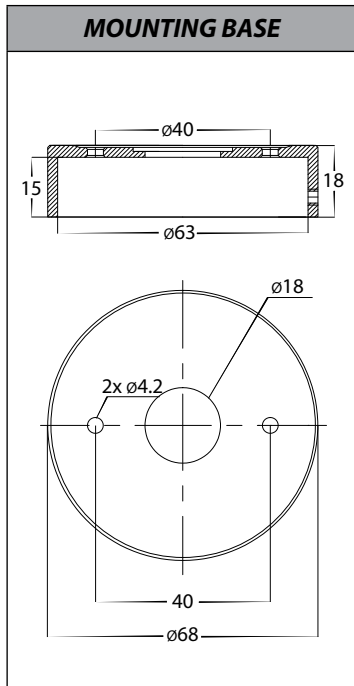
Additional Information

Tivah Aluminium Titanium Up & Down Light

PRODUCT SPECIFICATIONS	
Name	Tivah
Material	Aluminium
Colour	Titanium
IP Rating	IP65
Lamp Base	GU10 or MR16
CRI	> 80
Wiring	Parallel
Dimmable	No - not with supplied globes
Warranty	2 Years Replacement



COLOUR TEMP	IP RATING	APPROVAL
<p>3000K 4000K 5500K</p>	<p>IP65 INDOOR/OUTDOOR WEATHERPROOF</p>	



OPTIONAL DIMMABLE GU10 GLOBES (sold seperately)

HV9555 Models

HV9506D

RECOMMENDED DIMMER FOR GU10 DIMMABLE GLOBES

Havit HV9625

PART NUMBER	COLOUR TEMP	LUMENS	INPUT VOLTAGE	BEAM ANGLE	INCLUDED LED
HV1085T	3000K 4000K 5500K	2x 240-560lm 2x 255-595lm 2x 270-640lm	240v AC	60°	<p>9in1 TRI Colour 2x 3/5/7w GU10 LED</p>
HV1087GU10T	3000K 4000K 5500K	2x 270lm 2x 285lm 2x 300lm	240v AC	120°	<p>TRI Colour 2x 5w GU10 LED</p>
HV1087MR16T	3000K 4000K 5500K	2x 270lm 2x 285lm 2x 300lm	12v DC	120°	<p>TRI Colour 2x 5w MR16 LED (Must be used with a 12v DC LED Driver)</p>

For More Information Contact Havit Lighting

143 Beauchamp Road
Matraville NSW 2036
Australia

Tel: 02 9381 83000
Fax: 02 9666 888
Email: sales@havit.com.au
Web: www.havit.com.au



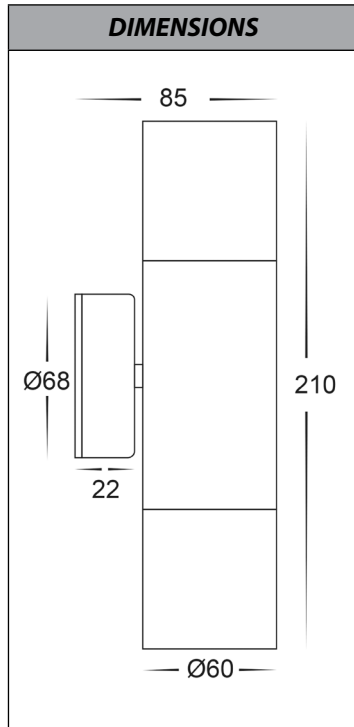
Warranty Terms & Conditions



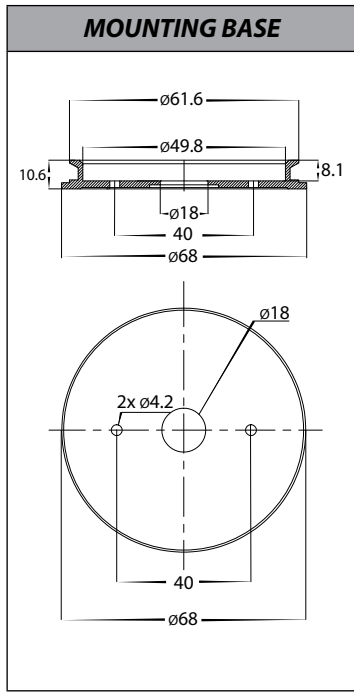
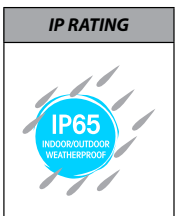
Additional Information

Tivah Antique Brass Up & Down Light

PRODUCT SPECIFICATIONS	
Name	Tivah
Material	Solid Brass
Colour	Antique Brass
IP Rating	IP65
Lamp Base	GU10 or MR16
CRI	> 80
Wiring	Parallel
Dimmable	No - not with supplied globes
Warranty	2 Years Replacement



COLOUR TEMP
Tri-Colour By Havit
3000K
4000K
5500K



OPTIONAL DIMMABLE GU10 GLOBES
(sold separately)

HV9555 Models

HV9506D

RECOMMENDED DIMMER FOR GU10 DIMMABLE GLOBES

HV9625

PART NUMBER	COLOUR TEMP	LUMENS	INPUT VOLTAGE	BEAM ANGLE	INCLUDED LED
HV1095T	3000K 4000K 5500K	2x 240-560lm 2x 255-595lm 2x 270-640lm	240v AC	60°	9in1 TRI Colour 2x 3/5/7w GU10 LED
HV1097GU10T	3000K 4000K 5500K	2x 270lm 2x 285lm 2x 300lm	240v AC	120°	TRI Colour 2x 5w GU10 LED
HV1097MR16T	3000K 4000K 5500K	2x 270lm 2x 285lm 2x 300lm	12v DC	120°	TRI Colour 2x 5w MR16 LED (Must be used with a 12v DC LED Driver)

For More Information Contact Havit Lighting

143 Beauchamp Road
Matraville NSW 2036
Australia

Tel: 02 9381 83000
Fax: 02 9666 888
Email: sales@havit.com.au
Web: www.havit.com.au



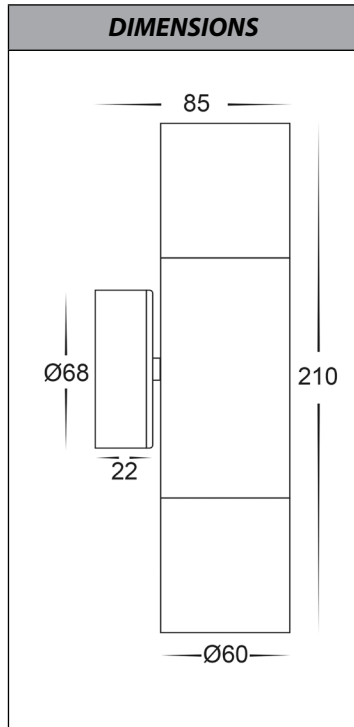
Warranty Terms & Conditions



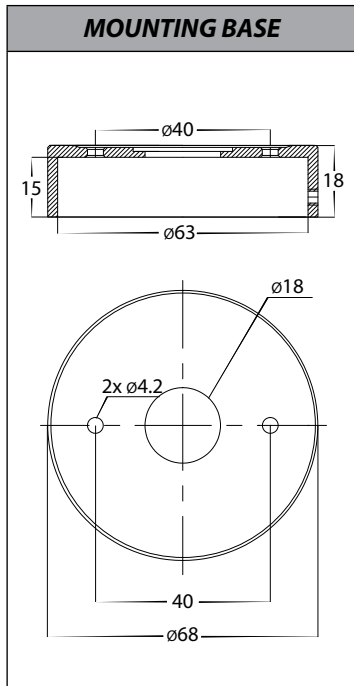
Additional Information

Tivah Aluminium Black Up & Down Light

PRODUCT SPECIFICATIONS	
Name	Tivah
Material	Aluminium
Colour	Textured Black
IP Rating	IP65
Lamp Base	GU10 or MR16
CRI	> 80
Wiring	Parallel
Dimmable	No - not with supplied globes
Warranty	2 Years Replacement



COLOUR TEMP	IP RATING	APPROVAL



OPTIONAL DIMMABLE GU10 GLOBES
(sold separately)

HV9555 Models

HV9506D

RECOMMENDED DIMMER FOR GU10 DIMMABLE GLOBES

HV9625

PART NUMBER	COLOUR TEMP	LUMENS	INPUT VOLTAGE	BEAM ANGLE	INCLUDED LED
HV1025T	3000K 4000K 5500K	2x 240-560lm 2x 255-595lm 2x 270-640lm	240v AC	60°	9in1 TRI Colour 2x 3/5/7w GU10 LED
HV1027GU10T	3000K 4000K 5500K	2x 270lm 2x 285lm 2x 300lm	240v AC	120°	TRI Colour 2x 5w GU10 LED
HV1027MR16T	3000K 4000K 5500K	2x 270lm 2x 285lm 2x 300lm	12v DC	120°	TRI Colour 2x 5w MR16 LED (Must be used with a 12v DC LED Driver)

For More Information Contact Havit Lighting

143 Beauchamp Road
Matraville NSW 2036
Australia

Tel: 02 9381 83000
Fax: 02 9666 888
Email: sales@havit.com.au
Web: www.havit.com.au



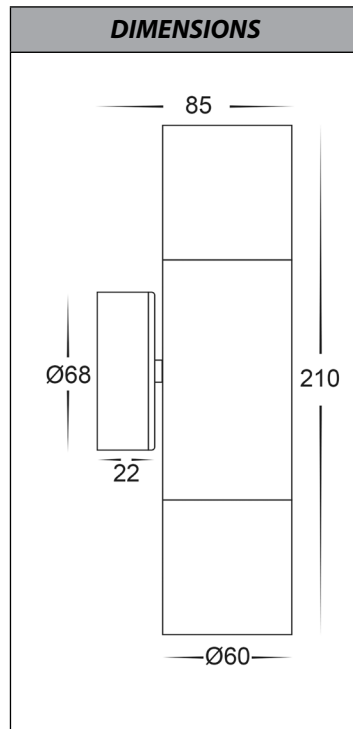
Warranty Terms & Conditions



Additional Information

Tivah Aluminium White Up & Down Light

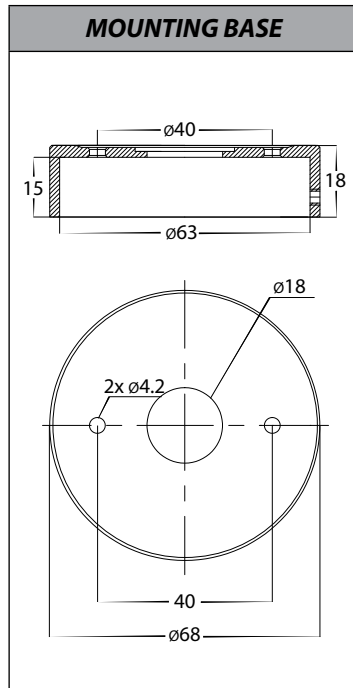
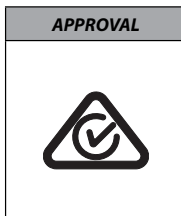
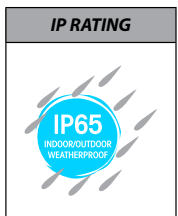
PRODUCT SPECIFICATIONS	
Name	Tivah
Material	Aluminium
Colour	Textured White
IP Rating	IP65
Lamp Base	GU10 or MR16
CRI	> 80
Wiring	Parallel
Dimmable	No - not with supplied globes
Warranty	2 Years Replacement



COLOUR TEMP

Tri-Colour By Havit

3000K
4000K
5500K



PART NUMBER	COLOUR TEMP	LUMENS	INPUT VOLTAGE	BEAM ANGLE	INCLUDED LED
HV1035T	3000K 4000K 5500K	2x 240-560lm 2x 255-595lm 2x 270-640lm	240v AC	60°	 9in1 TRI Colour 2x 3/5/7w GU10 LED
HV1037GU10T	3000K 4000K 5500K	2x 270lm 2x 285lm 2x 300lm	240v AC	120°	 TRI Colour 2x 5w GU10 LED
HV1037MR16T	3000K 4000K 5500K	2x 270lm 2x 285lm 2x 300lm	12v DC	120°	 TRI Colour 2x 5w MR16 LED (Must be used with a 12v DC LED Driver)

For More Information Contact Havit Lighting

143 Beauchamp Road
Matraville NSW 2036
Australia

Tel: 02 9381 83000
Fax: 02 9666 888
Email: sales@havit.com.au
Web: www.havit.com.au



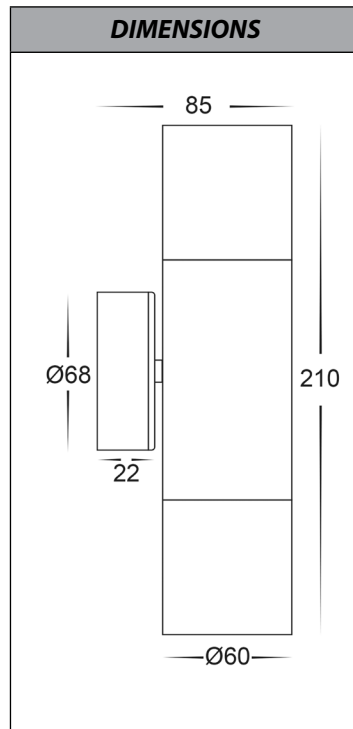
Warranty Terms & Conditions



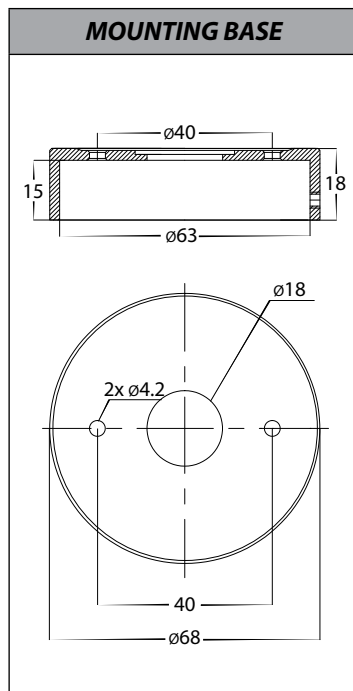
Additional Information

Tivah Aluminium Silver Up & Down Light

PRODUCT SPECIFICATIONS	
Name	Tivah
Material	Aluminium
Colour	Textured Silver
IP Rating	IP65
Lamp Base	GU10 or MR16
CRI	> 80
Wiring	Parallel
Dimmable	No - not with supplied globes
Warranty	2 Years Replacement



COLOUR TEMP	IP RATING	APPROVAL



OPTIONAL DIMMABLE GU10 GLOBES (sold separately)

HV9555 Models

HV9506D

RECOMMENDED DIMMER FOR GU10 DIMMABLE GLOBES

HavIt
Model: HV9625
300W

HV9625

PART NUMBER	COLOUR TEMP	LUMENS	INPUT VOLTAGE	BEAM ANGLE	INCLUDED LED
HV1045T	3000K 4000K 5500K	2x 240-560lm 2x 255-595lm 2x 270-640lm	240v AC	60°	9in1 TRI Colour 2x 3/5/7w GU10 LED
HV1047GU10T	3000K 4000K 5500K	2x 270lm 2x 285lm 2x 300lm	240v AC	120°	TRI Colour 2x 5w GU10 LED
HV1047MR16T	3000K 4000K 5500K	2x 270lm 2x 285lm 2x 300lm	12v DC	120°	TRI Colour 2x 5w MR16 LED (Must be used with a 12v DC LED Driver)

For More Information Contact Havit Lighting

143 Beauchamp Road
Matraville NSW 2036
Australia

Tel: 02 9381 83000
Fax: 02 9666 888
Email: sales@havit.com.au
Web: www.havit.com.au



Warranty Terms & Conditions



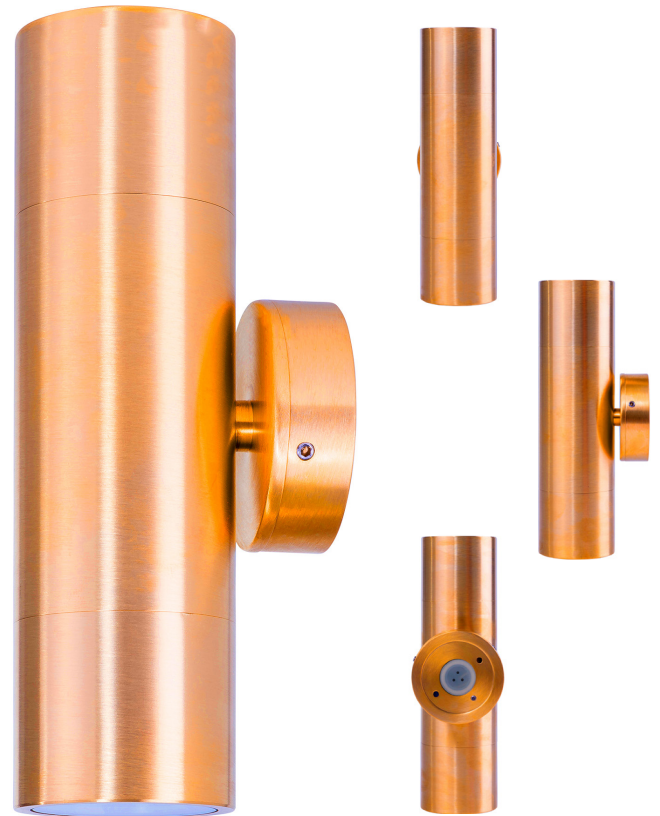
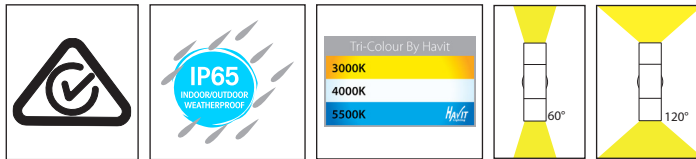
Additional Information

Tivah Solid Brass Up & Down Wall Lights



Product Specifications

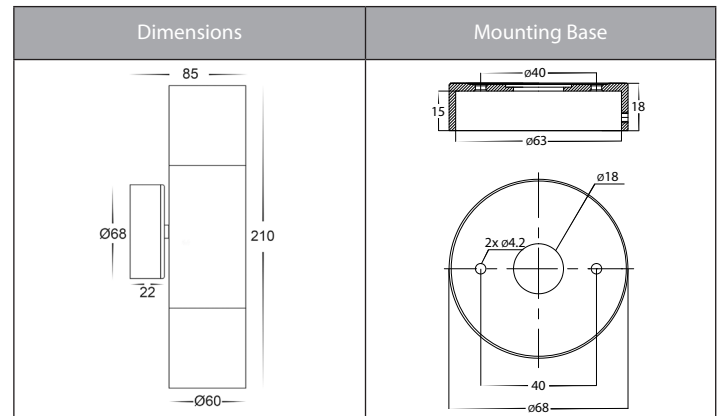
Name	Tivah
Material	Solid Brass
Colour	Brass
IP Rating	IP65
Installation Type	Wall - Surface Mounted
Lamp Base	Either GU10 or MR16
Protection Class	240v = 1 (Requires Earth)
	12v DC = 3 (No Earth Required)
Max Wattage	2x 35w GU10 2x 20w MR16
Lamp Expectancy	>30,000hrs
Diffuser Type	Clear Glass
UGR	<32
CRI	CRI>80
Dimmable	No - Not with supplied globes, See below for optional dimmable globes
IK Rating	IK10
Warranty	3 Years Replacement*



i Solid Brass and Solid Copper fittings will naturally tarnish. Solid brass fittings with additional coatings (Antique Brass & Graphite) may tarnish through the coating when installed in outdoor environments

Optional Havit Compatible Accessories

Image	Part Number	Colour Temp	Input Voltage	Beam Angle	Included LED
	HV9506D	3000k 4000k 5500k	240v AC	60°	TRI Colour 3/5/7w GU10 LED
	12v DC LED Drivers	See Catalogue or Website for full range of 12v DC LED Drivers			



Product Ordering

Part Number	Colour Temp	Lumens	Input Voltage	Beam Angle	Included LED	Barcode
HV1055T	3000k 4000k 5500k	2x 240-560lm 2x 255-595lm 2x 270-630lm	240v AC	60°	TRI Colour 2x 3/5/7w GU10 LED	T.B.C.
HV1057GU10T	3000k 4000k 5500k	2x 270lm 2x 285lm 2x 300lm	240v AC	120°	TRI Colour 2x 5w GU10 LED	T.B.C.
HV1057MR16T	3000k 4000k 5500k	2x 270lm 2x 285lm 2x 300lm	12v DC	120°	TRI Colour 2x 5w MR16 LED	T.B.C.

*Items ordered after 01-01-2022

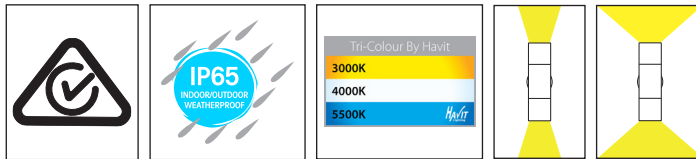


Tivah Graphite Coloured Up & Down Wall Lights



Product Specifications

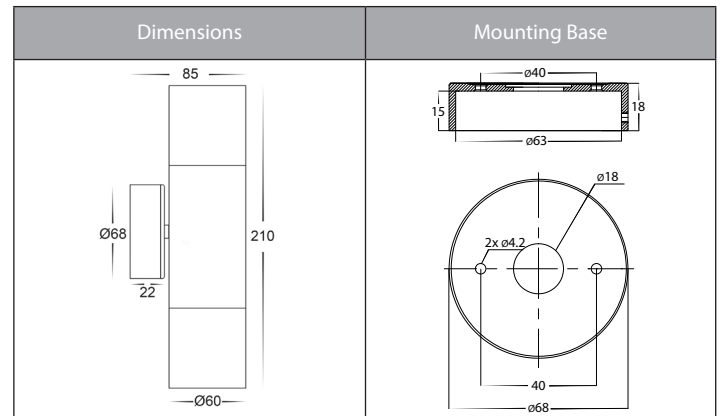
Name	Tivah
Material	Solid Brass
Colour	Graphite
IP Rating	IP65
Installation Type	Wall - Surface Mounted
Lamp Base	Either GU10 or MR16
Protection Class	240v = 1 (Requires Earth)
	12v DC = 3 (No Earth Required)
Max Wattage	2x 35w GU10 2x 20w MR16
Lamp Expectancy	>30,000hrs
Diffuser Type	Clear Glass
UGR	<32
CRI	CRI>80
Dimmable	No - Not with supplied globes, See below for optional dimmable globes
IK Rating	IK10
Warranty	3 Years Replacement*



i Solid Brass and Solid Copper fittings will naturally tarnish. Solid brass fittings with additional coatings (Antique Brass & Graphite) may tarnish through the coating when installed in outdoor environments

Optional Havit Compatible Accessories

Image	Part Number	Colour Temp	Input Voltage	Beam Angle	Included LED
	HV9506D	3000k 4000k 5500k	240v AC	60°	TRI Colour 3/5/7w GU10 LED
	12v DC LED Drivers	See Catalogue or Website for full range of 12v DC LED Drivers			



Product Ordering

Part Number	Colour Temp	Lumens	Input Voltage	Beam Angle	Included LED	Barcode
HV1075T	3000k 4000k 5500k	2x 240-560lm 2x 255-595lm 2x 270-630lm	240v AC	60°	TRI Colour 2x 3/5/7w GU10 LED	9350418019431
HV1077GU10T	3000k 4000k 5500k	2x 270lm 2x 285lm 2x 300lm	240v AC	120°	TRI Colour 2x 5w GU10 LED	9350418019448
HV1077MR16T	3000k 4000k 5500k	2x 270lm 2x 285lm 2x 300lm	12v DC	120°	TRI Colour 2x 5w MR16 LED	9350418019455

*Items ordered after 01-01-2022

