



Bloc-42

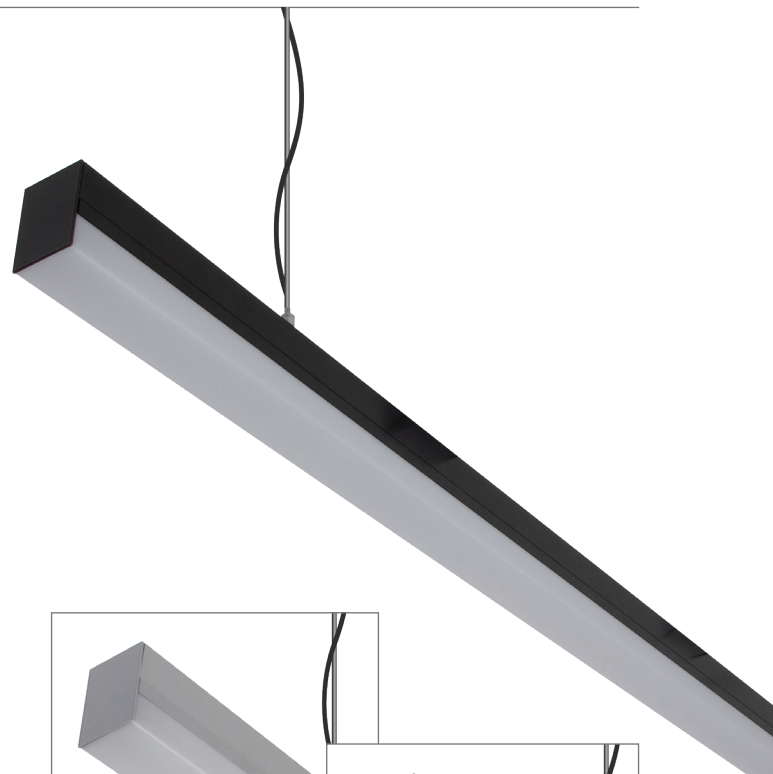
1.7M LED Linear Pendant

Description

The BLOC-42 wire-suspended Linear Pendant is an attractive solution to lighting up breakfast bars in kitchens, and above service counters for retail stores. A sleek architectural look which is perfect for modern residential or commercial applications.

The BLOC-42 Series pendant range is available in 1200mm or 1700mm lengths, with a choice of clear anodised aluminium, powder coated satin white or powder coated matt black finishes. Also available in the choice of Warm White 3000K, Neutral White 4000K and White 6500K colour temperature options.

Complete with LED driver and high output LED boards, provides a uniform light output, as well as 2m of wire suspension to allow the flexibility to hang at the desired height.



Brushed Aluminium Finish



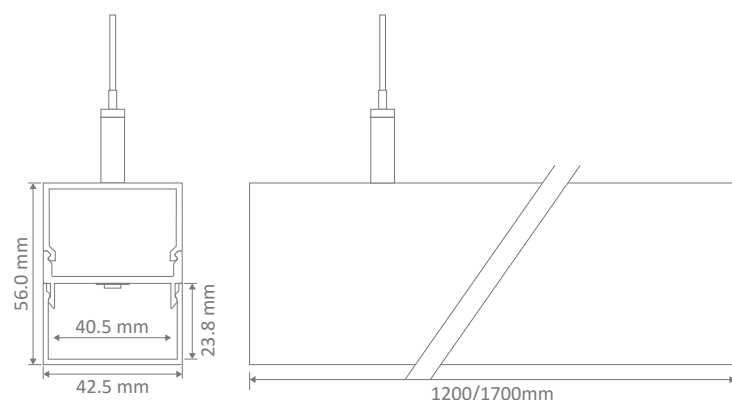
White Finish

Specification Features

- Input Voltage: 240V
- Power (W): 31.2
- IP rating (IP): 20
- Lumens* (lm): Warm White 3000K - 4440lm
Neutral White 4000K - 4680lm
White 6500K - 4680lm
- LED type: SMD
- CCT: 3000K - 4000K - 6500K
- CRI: ≥80
- Beam angle (°): 120°
- Dimmable: No
- Lifespan (hrs): 50,000hrs

*Measured at the light source.

Diagrams / Additional



Item No.	Variant			Colour Temperature
	Blk	Alu	Wht	
Bloc-42-1.7M	23090	23080	23100	3000K
	23092	23082	23102	4000K
	23094	23084	23104	6500K



Bloc-42

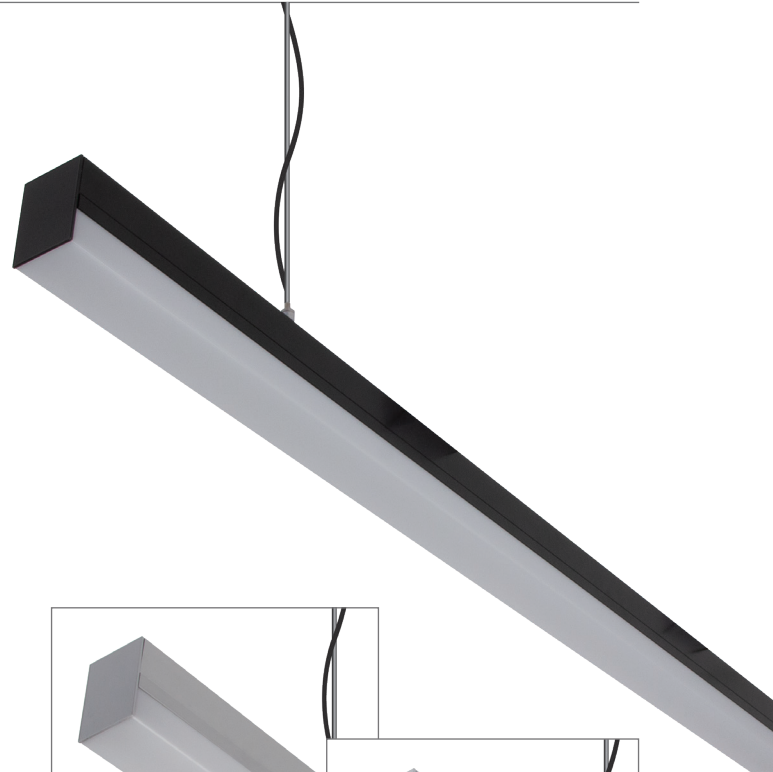
1.2M LED Linear Pendant

Description

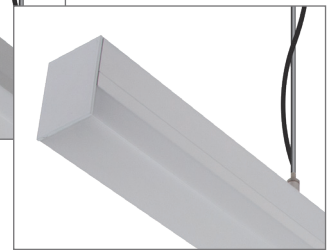
The BLOC-42 wire-suspended Linear Pendant is an attractive solution to lighting up breakfast bars in kitchens, and above service counters for retail stores. A sleek architectural look which is perfect for modern residential or commercial applications.

The BLOC-42 Series pendant range is available in 1200mm or 1700mm lengths, with a choice of clear anodised aluminium, powder coated satin white or powder coated matt black finishes. Also available in the choice of Warm White 3000K, Neutral White 4000K and White 6500K colour temperature options.

Complete with LED driver and high output LED boards, provides a uniform light output, as well as 2m of wire suspension to allow the flexibility to hang at the desired height.



Brushed Aluminium Finish



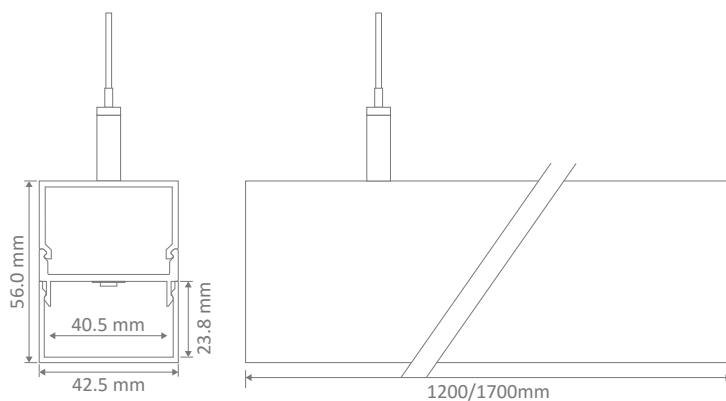
White Finish

Specification Features

Input Voltage:	240V
Power (W):	20.8
IP rating (IP):	20
Lumens* (lm):	Warm White 3000K - 2960lm Neutral White 4000K - 3120lm White 6500K - 3120lm
LED type:	SMD
CCT:	3000K - 4000K - 6500K
CRI:	≥80
Beam angle (°):	120°
Dimmable:	No
Lifespan (hrs):	50,000hrs

*Measured at the light source.

Diagrams / Additional



Item No.	Variant			Colour Temperature
	Blk	Alu	Wht	
Bloc-42-1.2M	23060	23055	23070	3000K
	23062	23057	23072	4000K
	23064	23059	23074	6500K