

Last modification

2022-12-06

## KOROVA PES-BRSOP

9329501062685



Add a premium finish to your scheme with the elegant and delicate look of blown glass. The KOROVA pendant family is a unique yet simple fixture, perfect for any space. The gold and black contrast design instantly conjures up Deco elegance. The suspension is fitted with either a opal or smoke glass and is available in three sizes.

### Overview

|                           |                 |
|---------------------------|-----------------|
| <b>Family name</b>        | Korova          |
| <b>Categories</b>         | Pendants        |
| <b>Mounting</b>           | Surface         |
| <b>This item includes</b> | Glass           |
| <b>Shade Shape</b>        | Cylinder        |
| <b>Suspension Type</b>    | Cable           |
| <b>Usage</b>              | Indoor Lighting |

### Color / Material

|                         |                 |
|-------------------------|-----------------|
| <b>Fixture Color</b>    | Brass Matt,Opal |
| <b>Fixture Material</b> | Glass,Metal     |
| <b>Canopy Color</b>     | Black           |
| <b>Glass Color</b>      | Opal            |
| <b>Glass Finish</b>     | Gloss           |

### Size

|                               |       |
|-------------------------------|-------|
| <b>Fixture Diameter (cm)</b>  | 21.0  |
| <b>Fixture Height (cm)</b>    | 23.0  |
| <b>Canopy Diameter (cm)</b>   | 12.0  |
| <b>Canopy Projection (cm)</b> | 2.5   |
| <b>Glass Diameter</b>         | 21.00 |
| <b>Glass Opening (cm)</b>     | 13.0  |
| <b>Suspension Length (cm)</b> | 200.0 |
| <b>Height Adjustable?</b>     | Yes   |

### Specification

|                      |      |
|----------------------|------|
| <b>Voltage Input</b> | 240V |
|----------------------|------|

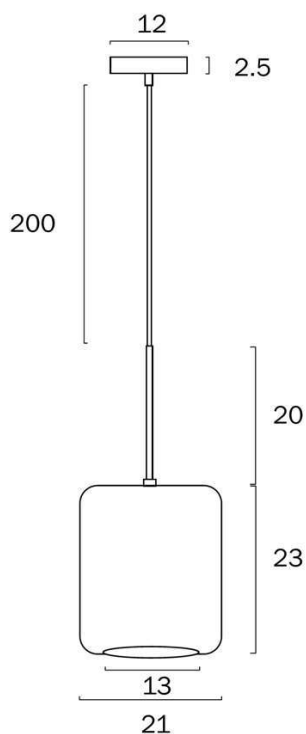
All representations within this document are subject to copyright. ELECTRICAL INSTALLATIONS MUST BE PERFORMED BY A QUALIFIED ELECTRICAL CONTRACTOR AND INSTALLED IN ACCORDANCE WITH AS/NZS 3000.  
NOTE : All images , descriptions and dimensions are indicative. Please check latest version of item detail on Telbix website prior to ordering or installation.

|                                      |                                                               |
|--------------------------------------|---------------------------------------------------------------|
| <b>Wattage (max)</b>                 | 25                                                            |
| <b>Globe Type</b>                    | E27                                                           |
| <b>Globe / Light Source qty</b>      | 1                                                             |
| <b>Globe / Light Source included</b> | No                                                            |
| <b>Dimmable</b>                      | Globe Dependant                                               |
| <b>Electrical Protection</b>         | CLASS I - HIGH VOLTAGE, EARTH REQUIRED                        |
| <b>IP rating</b>                     | IP20                                                          |
| <b>Approvals</b>                     | RCM                                                           |
| <b>Assembly Required</b>             | Yes                                                           |
| <b>Box Contents</b>                  | Basic mounting screws,Instruction                             |
| <b>Care Instructions</b>             | Do not use strong liquid cleaners,Wipe clean with a dry cloth |
| <b>Replacement Warranty</b>          | *3 Years                                                      |

## Barcode

**GTIN** 9329501062685

## Image -dimensions



Note: Dimensions are only a guide and may vary due to manufacturing variations.





Last modification

2022-12-06

## KOROVA PES-BRSSM

9329501062692



Add a premium finish to your scheme with the elegant and delicate look of blown glass. The KOROVA pendant family is a unique yet simple fixture, perfect for any space. The gold and black contrast design instantly conjures up Deco elegance. The suspension is fitted with either a opal or smoke glass and is available in three sizes.

### Overview

|                           |                 |
|---------------------------|-----------------|
| <b>Family name</b>        | Korova          |
| <b>Categories</b>         | Pendants        |
| <b>Mounting</b>           | Surface         |
| <b>This item includes</b> | Glass           |
| <b>Shade Shape</b>        | Cylinder        |
| <b>Suspension Type</b>    | Cable           |
| <b>Usage</b>              | Indoor Lighting |

### Color / Material

|                         |                  |
|-------------------------|------------------|
| <b>Fixture Color</b>    | Brass Matt,Smoke |
| <b>Fixture Material</b> | Glass,Metal      |
| <b>Canopy Color</b>     | Black            |
| <b>Glass Color</b>      | Smoke            |
| <b>Glass Finish</b>     | Gloss            |

### Size

|                               |       |
|-------------------------------|-------|
| <b>Fixture Diameter (cm)</b>  | 21.0  |
| <b>Fixture Height (cm)</b>    | 23.0  |
| <b>Canopy Diameter (cm)</b>   | 12.0  |
| <b>Canopy Projection (cm)</b> | 2.5   |
| <b>Glass Diameter</b>         | 21.00 |
| <b>Glass Opening (cm)</b>     | 13.0  |
| <b>Suspension Length (cm)</b> | 200.0 |
| <b>Height Adjustable?</b>     | Yes   |

### Specification

|                      |      |
|----------------------|------|
| <b>Voltage Input</b> | 240V |
|----------------------|------|

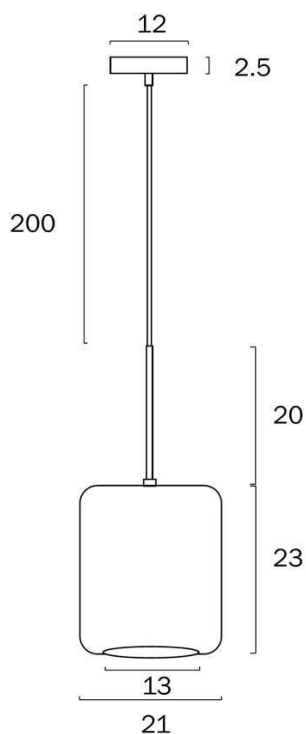
All representations within this document are subject to copyright.ELECTRICAL INSTALLATIONS MUST BE PERFORMED BY A QUALIFIED ELECTRICAL CONTRACTOR AND INSTALLED IN ACCORDANCE WITH AS/NZS 3000.  
NOTE : All images , descriptions and dimensions are indicative. Please check latest version of item detail on Telbix website prior to ordering or installation.

|                                      |                                                               |
|--------------------------------------|---------------------------------------------------------------|
| <b>Wattage (max)</b>                 | 25                                                            |
| <b>Globe Type</b>                    | E27                                                           |
| <b>Globe / Light Source qty</b>      | 1                                                             |
| <b>Globe / Light Source included</b> | No                                                            |
| <b>Dimmable</b>                      | Globe Dependant                                               |
| <b>Electrical Protection</b>         | CLASS I - HIGH VOLTAGE, EARTH REQUIRED                        |
| <b>IP rating</b>                     | IP20                                                          |
| <b>Approvals</b>                     | RCM                                                           |
| <b>Assembly Required</b>             | Yes                                                           |
| <b>Box Contents</b>                  | Basic mounting screws,Instruction                             |
| <b>Care Instructions</b>             | Do not use strong liquid cleaners,Wipe clean with a dry cloth |
| <b>Replacement Warranty</b>          | *3 Years                                                      |

## Barcode

**GTIN** 9329501062692

## Image -dimensions



Note: Dimensions are only a guide and may vary due to manufacturing variations.







Last modification

2022-12-06

## KOROVA PEM-BRSOP 9329501062708



Add a premium finish to your scheme with the elegant and delicate look of blown glass. The KOROVA pendant family is a unique yet simple fixture, perfect for any space. The gold and black contrast design instantly conjures up Deco elegance. The suspension is fitted with either a opal or smoke glass and is available in three sizes.

### Overview

|                           |                 |
|---------------------------|-----------------|
| <b>Family name</b>        | Korova          |
| <b>Categories</b>         | Pendants        |
| <b>Mounting</b>           | Surface         |
| <b>This item includes</b> | Glass           |
| <b>Shade Shape</b>        | Cylinder        |
| <b>Suspension Type</b>    | Cable           |
| <b>Usage</b>              | Indoor Lighting |

### Color / Material

|                         |                 |
|-------------------------|-----------------|
| <b>Fixture Color</b>    | Brass Matt,Opal |
| <b>Fixture Material</b> | Glass,Metal     |
| <b>Canopy Color</b>     | Black           |
| <b>Glass Color</b>      | Opal            |
| <b>Glass Finish</b>     | Gloss           |

### Size

|                               |       |
|-------------------------------|-------|
| <b>Fixture Diameter (cm)</b>  | 21.0  |
| <b>Fixture Height (cm)</b>    | 34.0  |
| <b>Canopy Diameter (cm)</b>   | 12.0  |
| <b>Canopy Projection (cm)</b> | 2.5   |
| <b>Glass Diameter</b>         | 21.00 |
| <b>Glass Opening (cm)</b>     | 13.0  |
| <b>Suspension Length (cm)</b> | 200.0 |
| <b>Height Adjustable?</b>     | Yes   |

### Specification

|                      |      |
|----------------------|------|
| <b>Voltage Input</b> | 240V |
|----------------------|------|

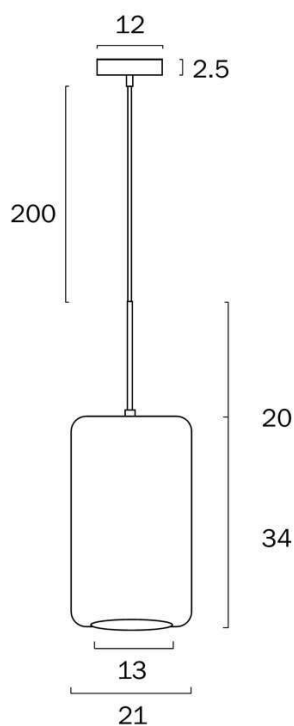
All representations within this document are subject to copyright.ELECTRICAL INSTALLATIONS MUST BE PERFORMED BY A QUALIFIED ELECTRICAL CONTRACTOR AND INSTALLED IN ACCORDANCE WITH AS/NZS 3000.  
NOTE : All images , descriptions and dimensions are indicative. Please check latest version of item detail on Telbix website prior to ordering or installation.

|                                      |                                                               |
|--------------------------------------|---------------------------------------------------------------|
| <b>Wattage (max)</b>                 | 25                                                            |
| <b>Globe Type</b>                    | E27                                                           |
| <b>Globe / Light Source qty</b>      | 1                                                             |
| <b>Globe / Light Source included</b> | No                                                            |
| <b>Dimmable</b>                      | Globe Dependant                                               |
| <b>Electrical Protection</b>         | CLASS I - HIGH VOLTAGE, EARTH REQUIRED                        |
| <b>IP rating</b>                     | IP20                                                          |
| <b>Approvals</b>                     | RCM                                                           |
| <b>Assembly Required</b>             | Yes                                                           |
| <b>Box Contents</b>                  | Basic mounting screws,Instruction                             |
| <b>Care Instructions</b>             | Do not use strong liquid cleaners,Wipe clean with a dry cloth |
| <b>Replacement Warranty</b>          | *3 Years                                                      |

## Barcode

**GTIN** 9329501062708

## Image -dimensions



Note: Dimensions are only a guide and may vary due to manufacturing variations.





Last modification

2022-12-06

## KOROVA PEM-BRSSM 9329501062715



Add a premium finish to your scheme with the elegant and delicate look of blown glass. The KOROVA pendant family is a unique yet simple fixture, perfect for any space. The gold and black contrast design instantly conjures up Deco elegance. The suspension is fitted with either a opal or smoke glass and is available in three sizes.

### Overview

|                           |                 |
|---------------------------|-----------------|
| <b>Family name</b>        | Korova          |
| <b>Categories</b>         | Pendants        |
| <b>Mounting</b>           | Surface         |
| <b>This item includes</b> | Glass           |
| <b>Shade Shape</b>        | Cylinder        |
| <b>Suspension Type</b>    | Cable           |
| <b>Usage</b>              | Indoor Lighting |

### Color / Material

|                         |                  |
|-------------------------|------------------|
| <b>Fixture Color</b>    | Brass Matt,Smoke |
| <b>Fixture Material</b> | Glass,Metal      |
| <b>Canopy Color</b>     | Black            |
| <b>Glass Color</b>      | Smoke            |
| <b>Glass Finish</b>     | Gloss            |

### Size

|                               |       |
|-------------------------------|-------|
| <b>Fixture Diameter (cm)</b>  | 21.0  |
| <b>Fixture Height (cm)</b>    | 34.0  |
| <b>Canopy Diameter (cm)</b>   | 12.0  |
| <b>Canopy Projection (cm)</b> | 2.5   |
| <b>Glass Diameter</b>         | 21.00 |
| <b>Glass Opening (cm)</b>     | 13.0  |
| <b>Suspension Length (cm)</b> | 200.0 |
| <b>Height Adjustable?</b>     | Yes   |

### Specification

|                      |      |
|----------------------|------|
| <b>Voltage Input</b> | 240V |
|----------------------|------|

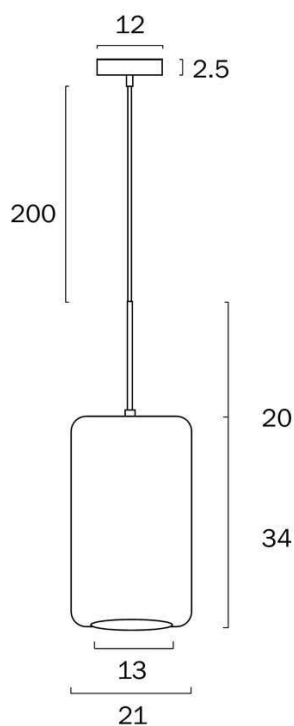
All representations within this document are subject to copyright. ELECTRICAL INSTALLATIONS MUST BE PERFORMED BY A QUALIFIED ELECTRICAL CONTRACTOR AND INSTALLED IN ACCORDANCE WITH AS/NZS 3000.  
NOTE : All images , descriptions and dimensions are indicative. Please check latest version of item detail on Telbix website prior to ordering or installation.

|                                      |                                                               |
|--------------------------------------|---------------------------------------------------------------|
| <b>Wattage (max)</b>                 | 25                                                            |
| <b>Globe Type</b>                    | E27                                                           |
| <b>Globe / Light Source qty</b>      | 1                                                             |
| <b>Globe / Light Source included</b> | No                                                            |
| <b>Dimmable</b>                      | Globe Dependant                                               |
| <b>Electrical Protection</b>         | CLASS I - HIGH VOLTAGE, EARTH REQUIRED                        |
| <b>IP rating</b>                     | IP20                                                          |
| <b>Approvals</b>                     | RCM                                                           |
| <b>Assembly Required</b>             | Yes                                                           |
| <b>Box Contents</b>                  | Basic mounting screws,Instruction                             |
| <b>Care Instructions</b>             | Do not use strong liquid cleaners,Wipe clean with a dry cloth |
| <b>Replacement Warranty</b>          | *3 Years                                                      |

## Barcode

**GTIN** 9329501062715

## Image -dimensions



Note: Dimensions are only a guide and may vary due to manufacturing variations.



