

Last modification 2022-12-06

## KOROVA TL-BRSOP 9329501062623



Add a premium finish to your scheme with the elegant and delicate look of blown glass. The KOROVA is a charming table lamp, perfect for any space. The gold and marble design instantly conjures up Deco elegance. This table lamp is topped with a opal or smoke glass.

### Overview

<b>Family name</b>	Korova
<b>Categories</b>	Table Lamps
<b>This item includes</b>	Glass
<b>Shade Shape</b>	Cylinder
<b>Switch</b>	Inline Switch
<b>Usage</b>	Indoor Lighting
<b>ERAC Product Registration</b>	SAA-210304-EA

### Color / Material

<b>Fixture Color</b>	Black Marble,Black,Brass Matt,Opal
<b>Fixture Material</b>	Marble,Glass,Metal
<b>Shade Material</b>	Glass
<b>Base Color</b>	Black Marble,Black,Brass Matt
<b>Base Material</b>	Marble,Metal
<b>Glass Color</b>	Opal
<b>Glass Finish</b>	Gloss
<b>Cable Color</b>	Black
<b>Cable Material</b>	PVC

### Size

<b>Fixture Diameter (cm)</b>	21.0
<b>Fixture Height (cm)</b>	42.0
<b>Base Diameter (cm)</b>	18.0
<b>Base Height (cm)</b>	19.0
<b>Glass Diameter</b>	21.00
<b>Glass Height (cm)</b>	23.0
<b>Glass Opening (cm)</b>	13.0
<b>Shade Diameter (cm)</b>	21.0

All representations within this document are subject to copyright.ELECTRICAL INSTALLATIONS MUST BE PERFORMED BY A QUALIFIED ELECTRICAL CONTRACTOR AND INSTALLED IN ACCORDANCE WITH AS/NZS 3000.  
NOTE : All images , descriptions and dimensions are indicative. Please check latest version of item detail on Telbix website prior to ordering or installation.

**Shade Height (cm)** 23.0

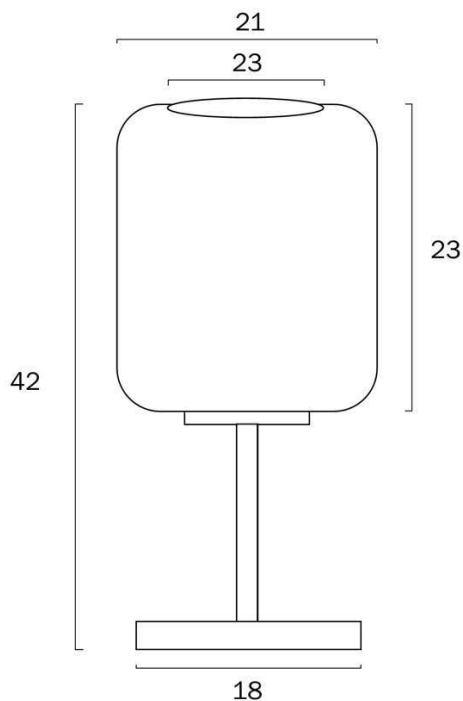
## Specification

**Voltage Input** 240V  
**Wattage (max)** 25  
**Globe Type** E27  
**Globe / Light Source qty** 1  
**Globe / Light Source included** No  
**Dimmable** Globe Dependant  
**Electrical Protection** CLASS II - DOUBLE INSULATED, EARTH NOT REQUIRED  
**IP rating** IP20  
**Lead and Plug** Yes  
**Approvals** RCM  
**Assembly Required** Yes  
**Box Contents** Instruction  
**Care Instructions** Do not use strong liquid cleaners,Wipe clean with a dry cloth  
**Replacement Warranty** \*3 Years

## Barcode

**GTIN** 9329501062623

## Image -dimensions



Note: Dimensions are only a guide and may vary due to manufacturing variations.





Last modification 2022-12-06

## KOROVA TL-BRSSM 9329501062630



Add a premium finish to your scheme with the elegant and delicate look of blown glass. The KOROVA is a charming table lamp, perfect for any space. The gold and marble design instantly conjures up Deco elegance. This table lamp is topped with a opal or smoke glass.

### Overview

<b>Family name</b>	Korova
<b>Categories</b>	Table Lamps
<b>This item includes</b>	Glass
<b>Shade Shape</b>	Cylinder
<b>Switch</b>	Inline Switch
<b>Usage</b>	Indoor Lighting
<b>ERAC Product Registration</b>	SAA-210304-EA

### Color / Material

<b>Fixture Color</b>	Black Marble,Black,Brass Matt,Smoke
<b>Fixture Material</b>	Marble,Metal,Glass
<b>Shade Material</b>	Glass
<b>Base Color</b>	Black Marble,Black,Brass Matt
<b>Base Material</b>	Marble,Metal
<b>Glass Color</b>	Smoke
<b>Glass Finish</b>	Gloss
<b>Cable Color</b>	Black
<b>Cable Material</b>	PVC

### Size

<b>Fixture Diameter (cm)</b>	21.0
<b>Fixture Height (cm)</b>	42.0
<b>Base Diameter (cm)</b>	18.0
<b>Base Height (cm)</b>	19.0
<b>Glass Diameter</b>	21.00
<b>Glass Height (cm)</b>	23.0
<b>Glass Opening (cm)</b>	13.0
<b>Shade Diameter (cm)</b>	21.0

All representations within this document are subject to copyright.ELECTRICAL INSTALLATIONS MUST BE PERFORMED BY A QUALIFIED ELECTRICAL CONTRACTOR AND INSTALLED IN ACCORDANCE WITH AS/NZS 3000.  
NOTE : All images , descriptions and dimensions are indicative. Please check latest version of item detail on Telbix website prior to ordering or installation.

Shade Height (cm) 23.0

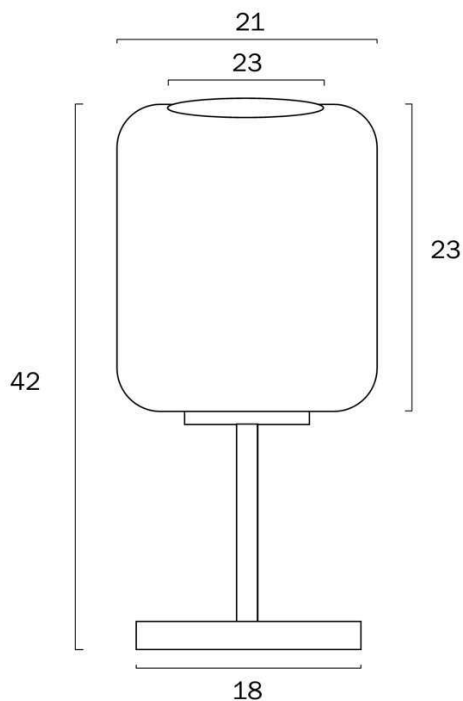
## Specification

**Voltage Input** 240V  
**Wattage (max)** 25  
**Globe Type** E27  
**Globe / Light Source qty** 1  
**Globe / Light Source included** No  
**Dimmable** Globe Dependant  
**Electrical Protection** CLASS II - DOUBLE INSULATED, EARTH NOT REQUIRED  
**IP rating** IP20  
**Lead and Plug** Yes  
**Approvals** RCM  
**Assembly Required** Yes  
**Box Contents** Instruction  
**Care Instructions** Do not use strong liquid cleaners,Wipe clean with a dry cloth  
**Replacement Warranty** \*3 Years

## Barcode

GTIN 9329501062630

## Image -dimensions



Note: Dimensions are only a guide and may vary due to manufacturing variations.



