

ZEKE-9 ROUND LED Steplight



Description

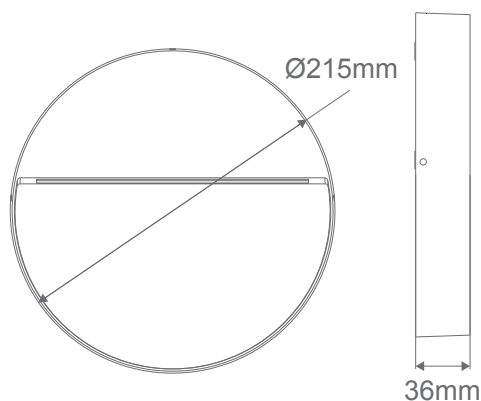
The surface mounted ZEKE-9-Round features a slim-line, cast-aluminium body with dual cable glands for easy installation. The aluminium trim features a special chromate process before a polyester powder coated finish is applied, for extended wear in harsh external environments. With an IP65 rating, the ZEKE-9-Round features amazing downward illumination with minimal power consumption; A total of 9W of high intensity illumination. Particularly useful for outside entertaining areas, external pathways or any area in which recessed mounting is not an option.



Specification Features

Input Voltage: 240V AC
 Power (W): 9W
 IP rating (IP): IP65
 Lumens (lm): Warm White 3000K - 800lm
 White 5000K - 900lm
 LED type: SMD
 CCT: 3000K - 5000K
 CRI: ≥85
 Beam angle (°): 120°
 Dimmable: No
 Lifespan (hrs): 50,000hrs

Diagrams / Additional



Item No.	Variant	Colour
ZEKE-9-RND-BLK	19514	3000K
	19515	5000K
ZEKE-9-RND-DGR	19488	3000K
	19489	5000K
ZEKE-9-RND-SLR	19486	3000K
	19487	5000K
ZEKE-9-RND-WHT	19506	3000K
	19507	5000K

ZEKE-9-12V-RND 12V LED Steplight



Description

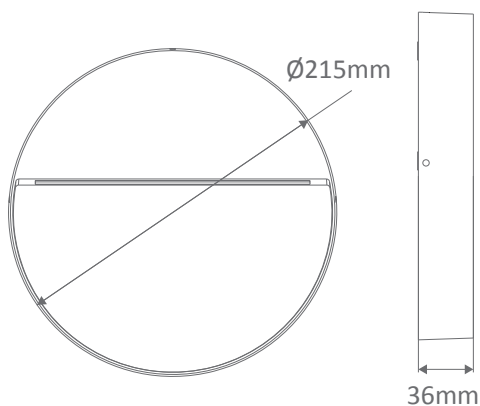
The surface mounted ZEKE-9-Round features a slim-line, cast-aluminium body with dual cable glands for easy installation. The aluminium trim features a special chromate process before a polyester powder coated finish is applied, for extended wear in harsh external environments. With an IP65 rating, the ZEKE-9-Round features amazing downward illumination with minimal power consumption; A total of 9W of high intensity illumination. Particularly useful for outside entertaining areas, external pathways or any area in which recessed mounting is not an option. Now available in 12V DC models, to allow for outdoor applications such as planter boxes and front wall installations, where low voltage wiring has been used. Now available in 12V DC models, to allow for outdoor applications such as planter boxes and front wall installations, where low voltage wiring has been used.



Specification Features

Input Voltage: 12V DC
 Power (W): 9W
 IP rating (IP): IP65
 Lumens (lm): Warm White 3000K - 800lm
 White 5000K - 900lm
 LED type: SMD
 CCT: 3000K - 5000K
 CRI: ≥85
 Beam angle (°): 120°
 Dimmable: No
 Lifespan (hrs): 50,000hrs
 Requires: 12V DC Constant Voltage LED Driver

Diagrams / Additional



Item No.	Variant	Colour
ZEKE-9-12V-RND-BLK	19870	3000K
	19871	5000K
ZEKE-9-12V-RND-DGR	19866	3000K
	19867	5000K
ZEKE-9-12V-RND-SLR	19864	3000K
	19865	5000K
ZEKE-9-12V-RND-WHT	19868	3000K
	19869	5000K