

## ZEKE-4-SQUARE LED Steplight



### Description

The surface mounted ZEKE-4 Square LED wall/step light features a slim-line, cast aluminium body and cable gland for easy installation. The aluminium trim features a special chromate process before a polyester powder coated finish is applied, for extended wear in harsh external environments.

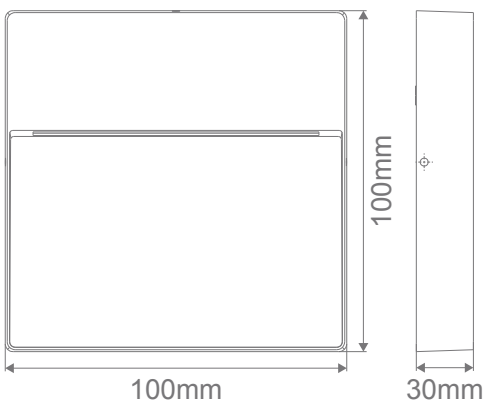
With an IP65 rating, the ZEKE-4 Square features amazing downward illumination with minimal power consumption; A total of 4W of high intensity illumination. Particularly useful for external pathways and steps or any area in which recessed mounting is not an option. The ZEKE-4 Square is also backed by our Three Year Replacement Warranty for peace of mind.



### Specification Features

Input Voltage: 240V AC  
 Power (W): 4W  
 IP rating (IP): 65  
 Lumens (lm): Warm White 3000K - 300lm  
 White 5000K - 350lm  
 LED type: SMD  
 CCT: 3000K - 5000K  
 CRI: ≥80  
 Dimmable: No  
 Lifespan (hrs): 50,000hrs

### Diagrams / Additional



Item No.	Variant	Colour
ZEKE-4-SQR-BLK	19528	3000K
	19529	5000K
ZEKE-4-SQR-DGR	19708	3000K
	19709	5000K
ZEKE-4-SQR-SLR	19706	3000K
	19707	5000K
ZEKE-4-SQR-WHT	19710	3000K
	19711	5000K

## ZEKE-4-12V-SQR 12V LED Steplight



### Description

The surface mounted ZEKE-4 Square LED wall/step light features a slim-line, cast aluminium body and cable gland for easy installation. The aluminium trim features a special chromate process before a polyester powder coated finish is applied, for extended wear in harsh external environments.

With an IP65 rating, the ZEKE-4 Square features amazing downward illumination with minimal power consumption; A total of 4W of high intensity illumination. Particularly useful for external pathways and steps or any area in which recessed mounting is not an option. The ZEKE-4 Square is also backed by our Three Year Replacement Warranty for peace of mind.

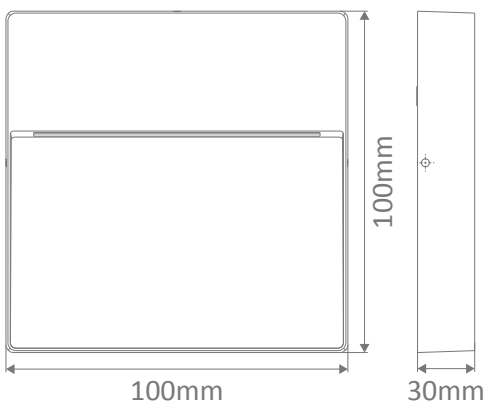
Now available in 12V DC models, to allow for outdoor applications such as planter boxes and front wall installations, where low voltage wiring has been used.



### Specification Features

- Input Voltage: 12V DC
- Power (W): 4W
- IP rating (IP): 65
- Lumens (lm): Warm White 3000K - 300lm  
White 5000K - 350lm
- LED type: SMD
- CCT: 3000K - 5000K
- CRI: ≥80
- Dimmable: No
- Lifespan (hrs): 50,000hrs
- Requires: 12V DC Constant Voltage LED Driver

### Diagrams / Additional



Item No.	Variant	Colour
ZEKE-4-12V-SQR-BLK	19854	3000K
	19855	5000K
ZEKE-4-12V-SQR-DGR	19850	3000K
	19851	5000K
ZEKE-4-12V-SQR-SLR	19848	3000K
	19849	5000K
ZEKE-4-12V-SQR-WHT	19852	3000K
	19853	5000K