

## ZEKE-4-ROUND LED Steplight



### Description

The surface mounted ZEKE-4 Round LED wall/step light features a slim-line, cast aluminium body and cable gland for easy installation. The aluminium trim features a special chromate process before a polyester powder coated finish is applied, for extended wear in harsh external environments.

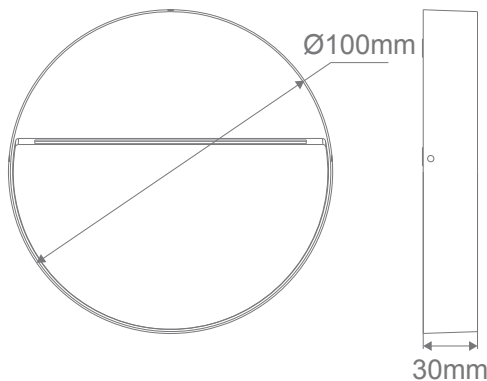
With an IP65 rating, the ZEKE-4 Round features amazing downward illumination with minimal power consumption; A total of 4W of high intensity illumination. Particularly useful for external pathways and steps or any area in which recessed mounting is not an option. The ZEKE-4 Round is also backed by our Three Year Replacement Warranty for peace of mind.



### Specification Features

Input Voltage: 240V AC  
 Power (W): 4W  
 IP rating (IP): 65  
 Lumens (lm): Warm White 3000K - 300lm  
 White 5000K - 350lm  
 LED type: SMD  
 CCT: 3000K - 5000K  
 CRI: ≥80  
 Dimmable: No  
 Lifespan (hrs): 50,000hrs

### Diagrams / Additional



Item No.	Variant	Colour
ZEKE-4-RND-BLK	19526	3000K
	19527	5000K
ZEKE-4-RND-DGR	19702	3000K
	19703	5000K
ZEKE-4-RND-SLR	19700	3000K
	19701	5000K
ZEKE-4-RND-WHT	19704	3000K
	19705	5000K

## ZEKE-4-12V-RND 12V LED Steplight



### Description

The surface mounted ZEKE-4 Round LED wall/step light features a slim-line, cast aluminium body and cable gland for easy installation. The aluminium trim features a special chromate process before a polyester powder coated finish is applied, for extended wear in harsh external environments.

With an IP65 rating, the ZEKE-4 Round features amazing downward illumination with minimal power consumption; A total of 4W of high intensity illumination. Particularly useful for external pathways and steps or any area in which recessed mounting is not an option. The ZEKE-4 Round is also backed by our Three Year Replacement Warranty for peace of mind.

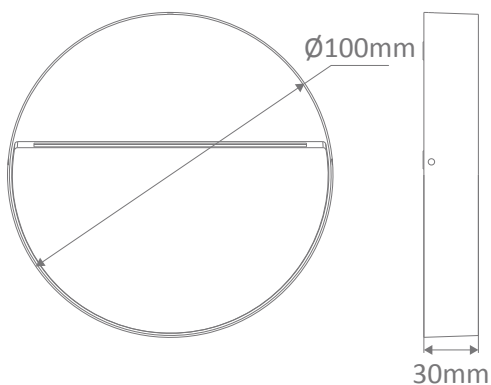
Now available in 12V DC models, to allow for outdoor applications such as planter boxes and front wall installations, where low voltage wiring has been used.



### Specification Features

Input Voltage: 12V DC  
 Power (W): 4W  
 IP rating (IP): 65  
 Lumens (lm): Warm White 3000K - 300lm  
 White 5000K - 350lm  
 LED type: SMD  
 CCT: 3000K - 5000K  
 CRI: ≥80  
 Dimmable: No  
 Lifespan (hrs): 50,000hrs  
 Requires: 12V DC Constant Voltage LED Driver

### Diagrams / Additional



Item No.	Variant	Colour
ZEKE-4-12V-RND-BLK	19846	3000K
	19847	5000K
ZEKE-4-12V-RND-DGR	19842	3000K
	19843	5000K
ZEKE-4-12V-RND-SLR	19840	3000K
	19841	5000K
ZEKE-4-12V-RND-WHT	19844	3000K
	19845	5000K