

## ZAC-4-SQR LED Wall Light



### Description

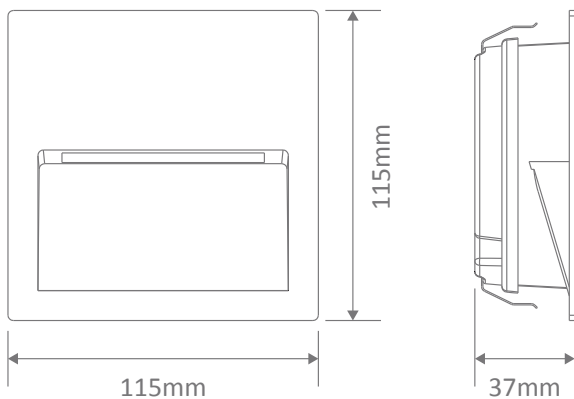
The ZAC Series is a modern and sleek recessed LED wall or step light, and is a great solution to most pathways and external walls, providing soft downward illumination to the desired walkway. Featuring a cast-aluminium body, with the choice of round, square or rectangular fascia. Available in Black, Dark Grey, Silver and White powder coated finishes. Also available in Warm White 3000K and White 5000K colour temperatures. Backed by our 3 Year Replacement Warranty.



### Specification Features

Input Voltage: 240V AC  
 Power (W): 4W  
 IP rating (IP): IP65  
 Lumens (lm): Warm White 3000K - 200lm  
 White 5000K - 250lm  
 LED type: SMD  
 CCT: 3000K - 5000K  
 CRI: ≥80  
 Beam angle (°): 30°  
 Dimmable: No  
 Lifespan (hrs): 50,000hrs  
 Mounting: Recessed

### Diagrams / Additional



| Item No.      | Variant | Colour |
|---------------|---------|--------|
| ZAC-4-SQR-BLK | 19735   | 3000K  |
|               | 19736   | 5000K  |
| ZAC-4-SQR-DGR | 19737   | 3000K  |
|               | 19738   | 5000K  |
| ZAC-4-SQR-SLR | 19739   | 3000K  |
|               | 19740   | 5000K  |
| ZAC-4-SQR-WHT | 19741   | 3000K  |
|               | 19742   | 5000K  |

Cutout without recessed box: (L) 100mm x (W) 100mm  
 Cutout with recessed box: (L) 110mm x (W) 110mm

## ZAC-4-12V-SQR 12V LED Wall Light



### Description

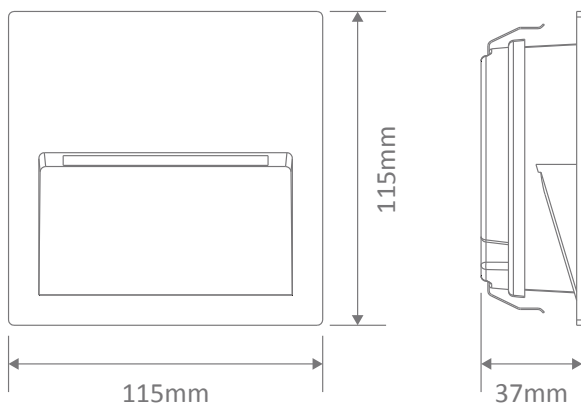
The ZAC Series is a modern and sleek recessed LED wall or step light, and is a great solution to most pathways and external walls, providing soft downward illumination to the desired walkway. Featuring a cast-aluminium body, with the choice of round, square or rectangular fascia. Available in Black, Dark Grey, Silver and White powder coated finishes. Also available in Warm White 3000K and White 5000K colour temperatures. Backed by our 3 Year Replacement Warranty. Now available in 12V DC models, to allow for outdoor applications such as planter boxes and front wall installations, where low voltage wiring has been used.



### Specification Features

Input Voltage: 12V DC  
 Power (W): 4W  
 IP rating (IP): IP65  
 Lumens (lm): Warm White 3000K - 200lm  
 White 5000K - 250lm  
 LED type: SMD  
 CCT: 3000K - 5000K  
 CRI: ≥80  
 Beam angle (°): 30°  
 Dimmable: No  
 Lifespan (hrs): 50,000hrs  
 Mounting: Recessed  
 Requires: 12V DC Constant Voltage LED Driver

### Diagrams / Additional



| Item No.          | Variant | Colour |
|-------------------|---------|--------|
| ZAC-4-12V-SQR-BLK | 19778   | 3000K  |
|                   | 19779   | 5000K  |
| ZAC-4-12V-SQR-DGR | 19780   | 3000K  |
|                   | 19781   | 5000K  |
| ZAC-4-12V-SQR-SLR | 19782   | 3000K  |
|                   | 19783   | 5000K  |
| ZAC-4-12V-SQR-WHT | 19784   | 3000K  |
|                   | 19785   | 5000K  |

Cutout without recessed box: (L) 100mm x (H) 100mm  
 Cutout with recessed box: (L) 110mm x (H) 110mm