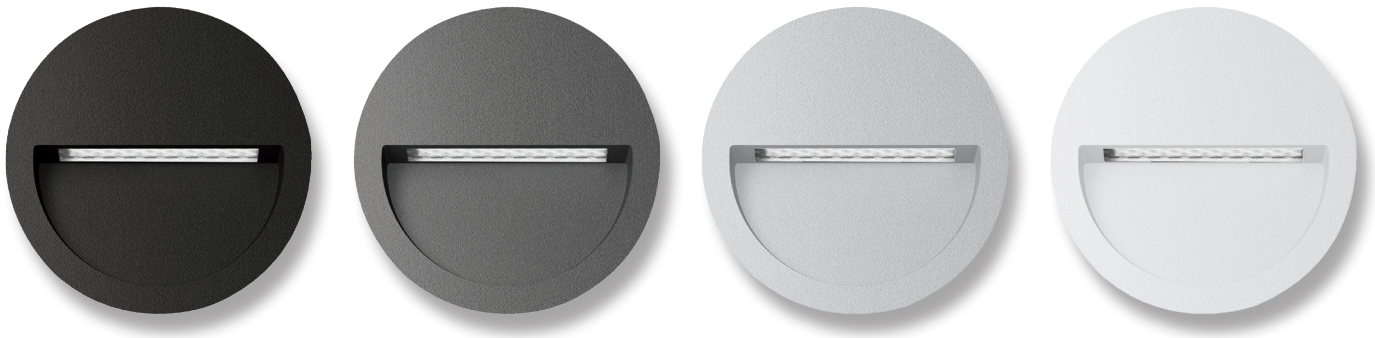


ZAC-4-RND LED Wall Light



Description

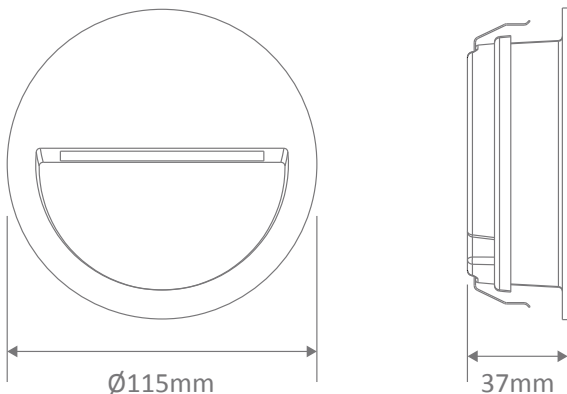
The ZAC Series is a modern and sleek recessed LED wall or step light, and is a great solution to most pathways and external walls, providing soft downward illumination to the desired walkway. Featuring a cast-aluminium body, with the choice of round, square or rectangular fascia. Available in Black, Dark Grey, Silver and White powder coated finishes. Also available in Warm White 3000K and White 5000K colour temperatures. Backed by our 3 Year Replacement Warranty.



Specification Features

Input Voltage: 240V AC
 Power (W): 4W
 IP rating (IP): IP65
 Lumens (lm): Warm White 3000K - 200lm
 White 5000K - 250lm
 LED type: SMD
 CCT: 3000K - 5000K
 CRI: ≥80
 Beam angle (°): 30°
 Dimmable: No
 Lifespan (hrs): 50,000hrs
 Mounting: Recessed

Diagrams / Additional



Cutout without recessed box: (Ø) 100mm
 Cutout with recessed box: (Ø) 110mm

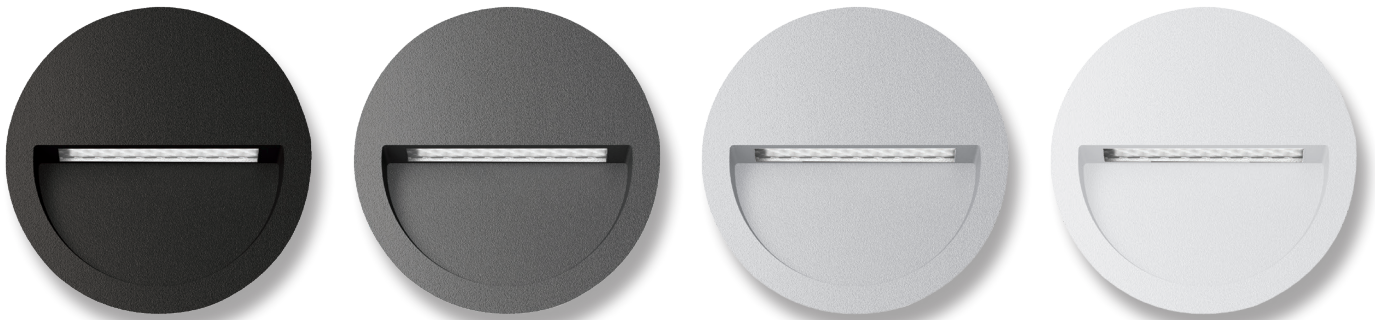
Item No.	Variant	Colour
ZAC-4-RND-BLK	19727	3000K
	19728	5000K
ZAC-4-RND-DGR	19729	3000K
	19730	5000K
ZAC-4-RND-SLR	19731	3000K
	19732	5000K
ZAC-4-RND-WHT	19733	3000K
	19734	5000K

ZAC-4-12V-RND 12V LED Wall Light



Description

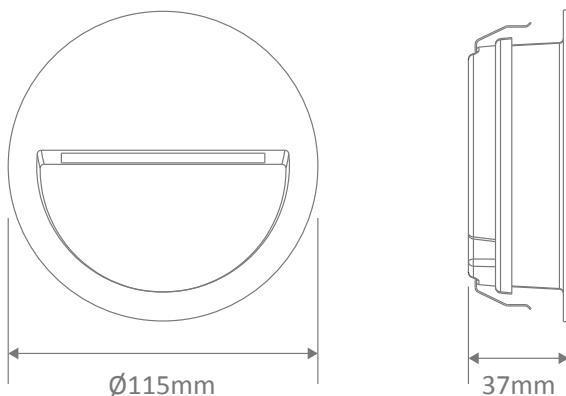
The ZAC Series is a modern and sleek recessed LED wall or step light, and is a great solution to most pathways and external walls, providing soft downward illumination to the desired walkway. Featuring a cast-aluminium body, with the choice of round, square or rectangular fascia. Available in Black, Dark Grey, Silver and White powder coated finishes. Also available in Warm White 3000K and White 5000K colour temperatures. Backed by our 3 Year Replacement Warranty. Now available in 12V DC models, to allow for outdoor applications such as planter boxes and front wall installations, where low voltage wiring has been used.



Specification Features

Input Voltage:	12V DC
Power (W):	4W
IP rating (IP):	IP65
Lumens (lm):	Warm White 3000K - 200lm White 5000K - 250lm
LED type:	SMD
CCT:	3000K - 5000K
CRI:	≥80
Beam angle (°):	30°
Dimmable:	No
Lifespan (hrs):	50,000hrs
Mounting:	Recessed
Requires:	12V DC Constant Voltage LED Driver

Diagrams / Additional



Cutout without recessed box: (Ø) 100mm

Cutout with recessed box: (Ø) 110mm

Item No.	Variant	Colour
ZAC-4-12V-RND-BLK	19770	3000K
	19771	5000K
ZAC-4-12V-RND-DGR	19772	3000K
	19773	5000K
ZAC-4-12V-RND-SLR	19774	3000K
	19775	5000K
ZAC-4-12V-RND-WHT	19776	3000K
	19777	5000K