

WP24-10

Constant Voltage LED Driver



Description

10W 24V DC Weatherproof Constant Voltage LED Driver for use on LED strip lighting, garden lights, Inground uplighters and much more. Complete with flex and plug. Backed by a 3 Year replacement Warranty.

Specification Features

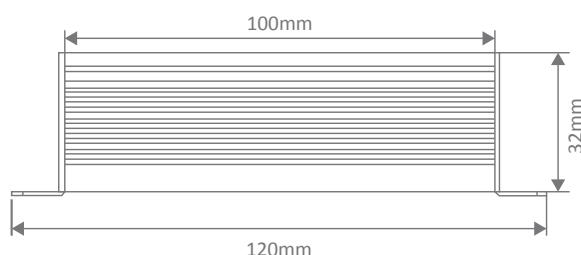
Input Voltage (AC):	200-260V 50/60Hz
Output Voltage (DC):	24V DC
Output Wattage (W):	1 - 10W
Flex and Plug:	Yes
IP rating (IP):	67
Dimensions:	(L) 100mm x (W) 44mm x (H) 32mm
Warranty:	3 Year Replacement
Wiring:	Wire in Parallel



Diagrams / Additional



Item No.	Variant
DRIVER-WP24V	20249



WP24-15

Constant Voltage LED Driver



Description

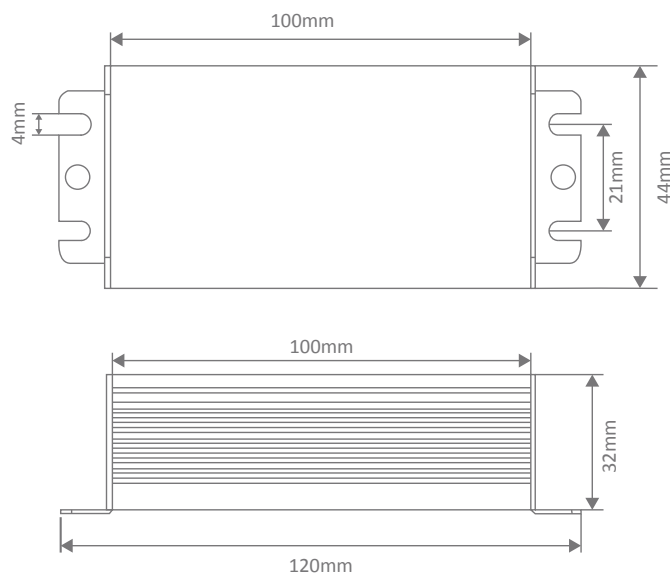
15W 24V DC Weatherproof Constant Voltage LED Driver for use on LED strip lighting, garden lights, inground uplighters and much more. Complete with flex and plug. Backed by a 3 Year replacement Warranty.

Specification Features

Input Voltage (AC):	200-260V 50/60Hz
Output Voltage (DC):	24V DC
Output Vattage (W):	1.5 - 15W
Flex and Plug:	Yes
IP rating (IP):	67
Dimensions:	(L) 100mm x (W) 44mm x (H) 32mm
Warranty:	3 Year Replacement
Wiring:	Wire in Parallel



Diagrams / Additional



Item No.	Variant
DRIVER-WP24V	20250

WP24-30

Constant Voltage LED Driver



Description

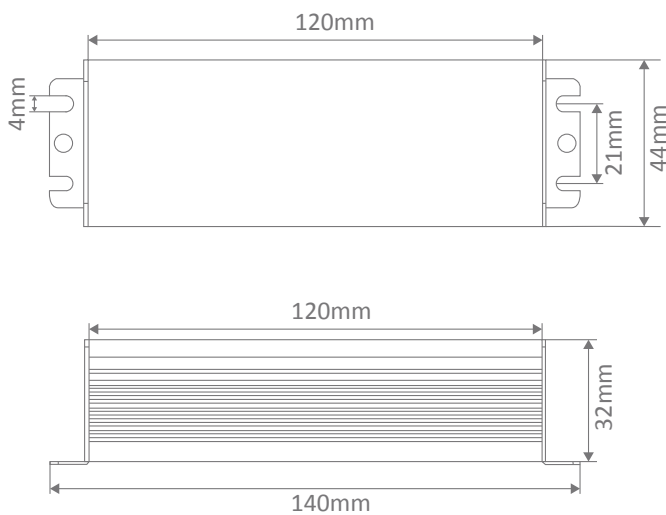
30W 24V DC Weatherproof Constant Voltage LED Driver for use on LED strip lighting, garden lights, inground uplighters and much more. Complete with flex and plug. Backed by a 3 Year replacement Warranty.

Specification Features

Input Voltage (AC):	200-260V 50/60Hz
Output Voltage (DC):	24V DC
Output Wattage (W):	3 - 30W
Flex and Plug:	Yes
IP Rating (IP):	67
Dimensions:	(L) 120mm x (W) 44mm x (H) 32mm
Warranty:	3 Year Replacement
Wiring:	Wire in Parallel



Diagrams / Additional



Item No.	Variant
DRIVER-WP24V	20251

WP24-60

Constant Voltage LED Driver



Description

60W 24V DC Weatherproof Constant Voltage LED Driver for use on LED strip lighting, garden lights, inground uplighters and much more. Complete with flex and plug. Backed by a 3 Year replacement Warranty.

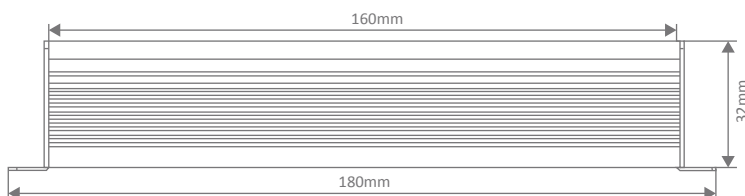
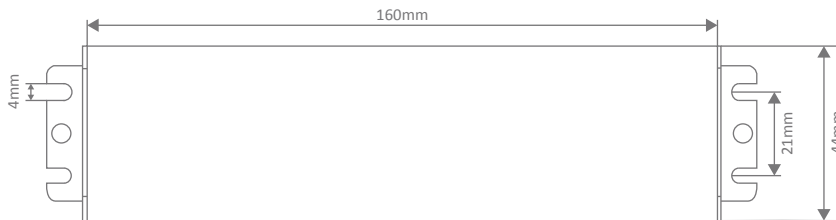
Specification Features

Input Voltage (AC):	200-260V 50/60Hz
Output Voltage (DC):	24V DC
Output Wattage (W):	6 - 60W
Flex and Plug:	Yes
LED Indicator:	No
IP Rating (IP):	67
Dimensions:	(L) 160mm x (W) 44mm x (H) 32mm
Warranty:	3 Year Replacement
Wiring:	Wire in Parallel



Diagrams / Additional

Item No.	Variant
DRIVER-WP24V	20252



WP24-100

Constant Voltage LED Driver



Description

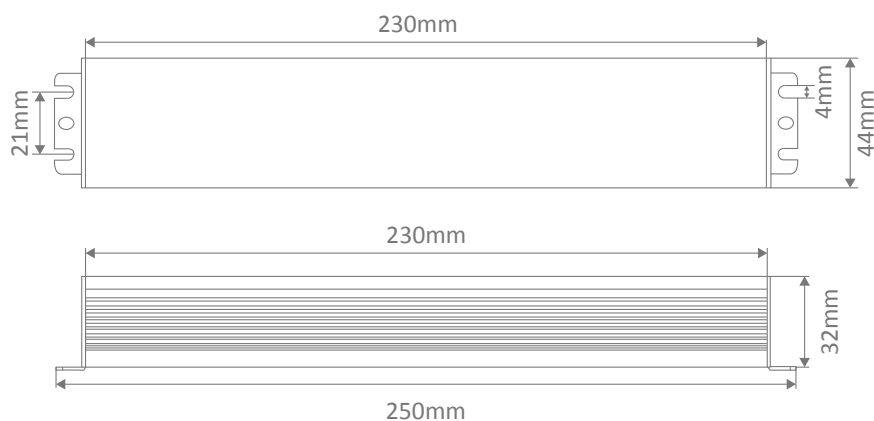
100W 24V DC Weatherproof Constant Voltage LED Driver for use on LED strip lighting, garden lights, inground uplighters and much more. Complete with flex and plug. Backed by a 3 Year replacement Warranty.

Specification Features

Input Voltage (AC):	200-260V 50/60Hz
Output Voltage (DC):	24V DC
Output Wattage (W):	10 - 100W
Flex and Plug:	Yes
LED Indicator:	No
IP Rating (IP):	67
Dimensions:	(L) 230mm x (W) 44mm x (H) 32mm
Warranty:	3 Year Replacement
Wiring:	Wire in Parallel



Diagrams / Additional



Item No.	Variant
DRIVER-WP24V	20253

WP24-150

Constant Voltage LED Driver



Description

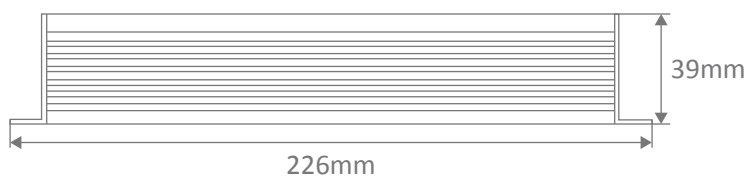
150W 24V DC Weatherproof Constant Voltage LED Driver for use on LED strip lighting, garden lights, inground uplighters and much more. Complete with flex and plug. Backed by a 3 Year replacement Warranty.

Specification Features

Input voltage (AC):	200-260V 50/60Hz
Output voltage (DC):	24V DC
Output wattage (W):	15 - 150W
Flex and Plug:	Yes
LED Indicator:	No
IP rating (IP):	67
Dimensions:	(L) 200mm x (W) 68mm x (H) 39mm
Warranty:	3 Year Replacement
Wiring:	Wire in Parallel



Diagrams / Additional



Item No.	Variant
DRIVER-WP24V	20254

WP24-200

Constant Voltage LED Driver



Description

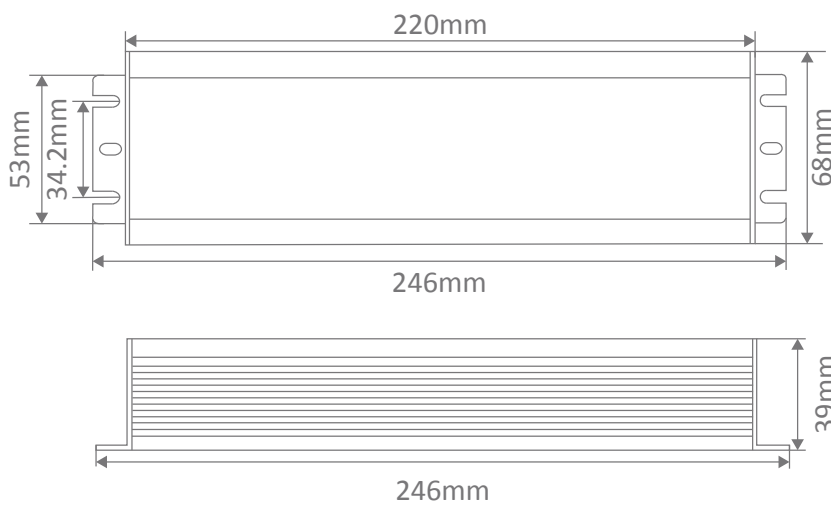
200W 24V DC Weatherproof Constant Voltage LED Driver for use on LED strip lighting, garden lights, inground uplighters and much more. Complete with flex and plug. Backed by a 3 Year replacement Warranty.

Specification Features

Input Voltage (AC):	200-260V 50/60Hz
Output Voltage (DC):	24V DC
Output Wattage (W):	20 - 200W
Flex and Plug:	Yes
LED Indicator:	No
IP Rating (IP):	67
Dimensions:	(L) 220mm x (W) 68mm x (H) 39mm
Warranty:	3 Year Replacement
Wiring:	Wire in Parallel



Diagrams / Additional



Item No.	Variant
DRIVER-WP24V	20257

WP24-250

Constant Voltage LED Driver



Description

250W 24V DC Weatherproof Constant Voltage LED Driver for use on LED strip lighting, garden lights, inground uplighters and much more. Complete with flex and plug. Backed by a 3 Year replacement Warranty.

Specification Features

Input Voltage (AC):	200-260V 50/60Hz
Output Voltage (DC):	24V DC
Output Wattage (W):	25 - 250W
Flex and Plug:	Yes
IP Rating (IP):	67
Dimensions:	(L) 220mm x (W) 68mm x (H) 39mm
Warranty:	3 Year Replacement
Wiring:	Wire in Parallel



Diagrams / Additional

Item No.	Variant
DRIVER-WP24V	20258

