



Keeps the fan running for around 7 minutes after switching off to clear the residual steam or odour once you leave the room.

## INSTALLING THE TIMER

The timer module is designed to fit within a wall mounted electrician flush box or alternatively located within a fan assembly.

In both cases all wiring and installation should be completed by a qualified electrician, complying with national wiring practices and using regulation terminal blocks to connect supply conductors.



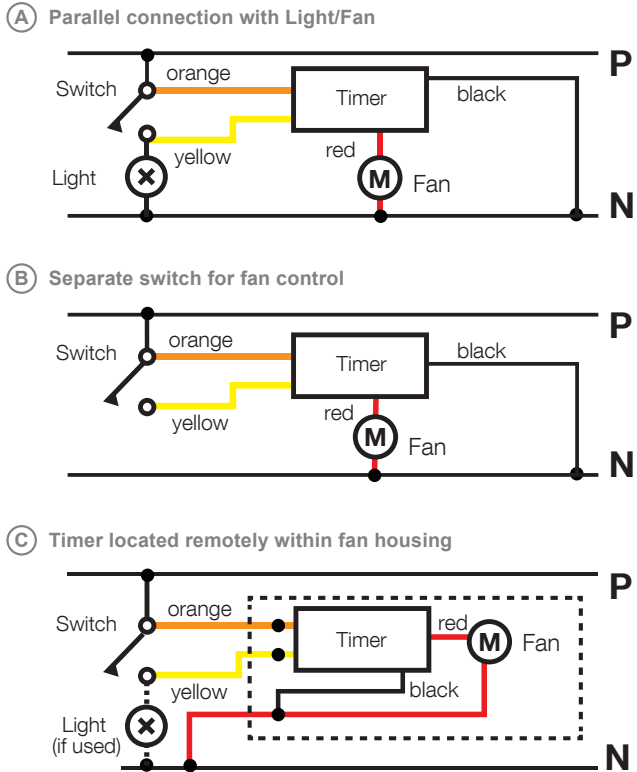
Small enough to fit into most common flush boxes.



45 sec delay function prevents nuisance running for when fan is not required.

**MODEL: V7MINFT**

# WIRING INSTRUCTIONS



## SPECIFICATIONS & INSTRUCTIONS

The Ventair fixed run-on timer is a solid-state electronic timer designed to interface with most fans between 20 - 200W with shaded pole and induction motors.

There is a 45 second delay when switching on the fan to avoid unnecessary running of the fan when the lights are switched on for short periods.

The fan starts 45 seconds after switching on and runs for approx. 7 minutes after the lights and/or fan are switched off.

Fits new or existing fans



*Not suitable for capacitor start centrifugally switched motors*



For all range of Ventair exhaust fans, ducting, grilles and accessories visit our website:  
[www.ventair.com.au](http://www.ventair.com.au)

**FIXED RUN-ON TIMER  
 INSTRUCTION MANUAL  
 MODEL: V7MINFT**



V7MINFT IM 010819