



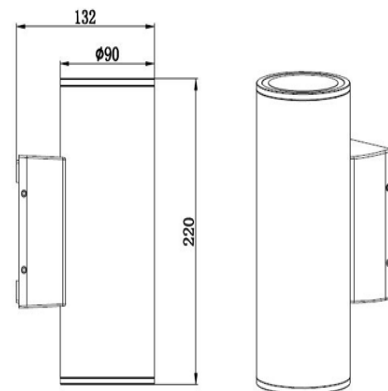
304 Series

Product Specifications

SKU	VBLWL-304-4-30
Luminaire efficacy	76 lm/W
Product Series	VBLWL-304-SERIES
Light Colour	Warm White
Wattage	12 W
Lumen output	916 lm
IP rating	65
CRI	80
Beam Angle	65 Degrees
Trim colour	Black
Diameter	90 mm
Width	132 mm
Height	220 mm
Lifespan	50000 Hours
Warranty	3 Years
Weatherproof	Weatherproof
Mounting type	Surface
Wiring method	Hardwire
LED source	CREE
Material	Die-Cast Aluminium
Lamp Type	LED
Input voltage	240 Volt AC 50HZ



Dimensional Drawings



Photometric information available upon request.



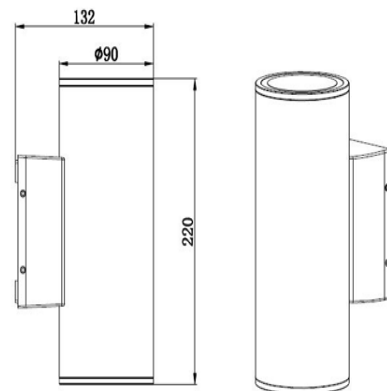
304 Series

Product Specifications

SKU	VBLWL-304-4-40
Luminaire efficacy	78 lm/W
Product Series	VBLWL-304-SERIES
Light Colour	Cool White
Wattage	12 W
Lumen output	932 lm
IP rating	65
CRI	80
Beam Angle	65 Degrees
Trim colour	Black
Diameter	90 mm
Width	132 mm
Height	220 mm
Lifespan	50000 Hours
Warranty	3 Years
Weatherproof	Weatherproof
Wiring method	Hardwire
Shatterproof	Shatterproof
LED source	CREE
Material	Die-Cast Aluminium
Lamp Type	LED
Input voltage	240 Volt AC 50HZ



Dimensional Drawings



Photometric information available upon request.



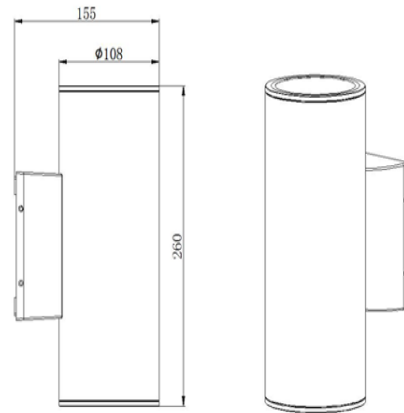
305 Series

Product Specifications

SKU	VBLWL-305-4-30
Luminaire efficacy	63 lm/W
Product Series	VBLWL-305-SERIES
Light Colour	Warm White
Wattage	16 W
Lumen output	1505 lm
IP rating	65
CRI	80
Beam Angle	360 Degrees
Trim colour	Black
Diameter	108 mm
Width	155 mm
Height	260 mm
Lifespan	50000 Hours
Warranty	3 Years
Weatherproof	Weatherproof
Mounting type	Surface
Wiring method	Hardwire
LED source	CREE
Material	Die-Cast Aluminium
Lamp Type	LED
Input voltage	240 Volt AC 50HZ



Dimensional Drawings



Photometric information available upon request.



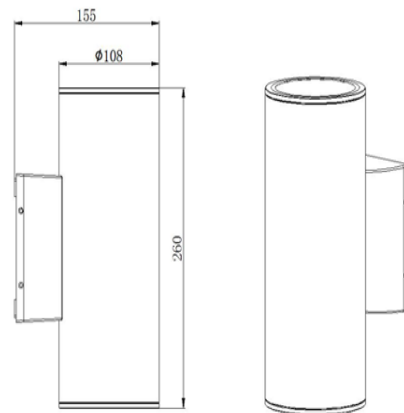
305 Series

Product Specifications

SKU	VBLWL-305-4-40
Luminaire efficacy	66 lm/W
Product Series	VBLWL-305-SERIES
Light Colour	Cool White
Wattage	16 W
Lumen output	1574 lm
IP rating	65
CRI	80
Beam Angle	360 Degrees
Trim colour	Black
Diameter	108 mm
Width	155 mm
Height	60 mm
Lifespan	50000 Hours
Warranty	3 Years
Weatherproof	Weatherproof
Mounting type	Surface
Wiring method	Hardwire
Shatterproof	Shatterproof
LED source	CREE
Material	Die-Cast Aluminium
Lamp Type	LED
Input voltage	240 Volt AC 50HZ



Dimensional Drawings



Photometric information available upon request.