



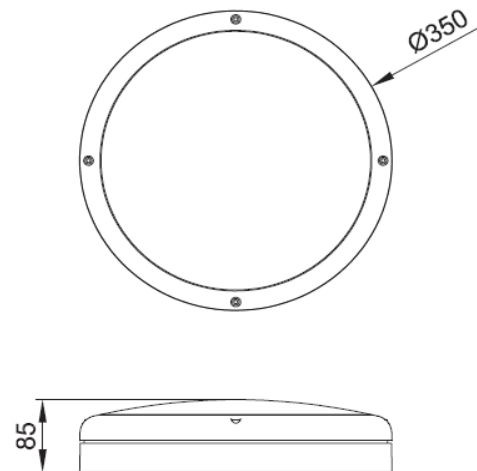
17W LED WALL LIGHT BLACK PC FRAME 3 CCT IP65

Product Specifications

SKU	VBLWL-205-4-CCT
Luminaire efficacy	95 lm/W
Product Series	VBLWL-205-SERIES
EAN	9340994021584
Wattage	17 W
Lumen output	1660 lm
IP rating	65
IK Rating	10
Beam Angle	120 Degrees
Trim colour	Black
Lifespan	50000 Hours
Warranty	5 Years
Mounting type	Surface
Wiring method	Hardwire
Input voltage	220V-240V AC 50HZ
Working temperature	-20°C ~ 45°C



Dimensional Drawings



Photometric information available upon request.