



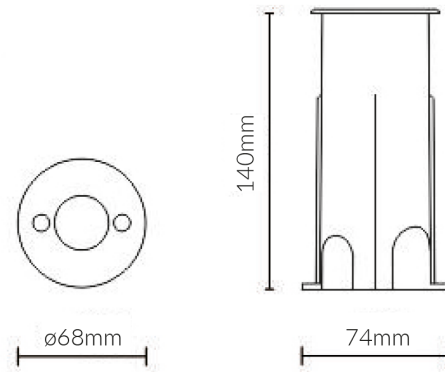
202 Series

Product Specifications

SKU	VBLUP-202-24V-3K
Luminaire efficacy	52 lm/W
Product Series	VBLUP-2XX-SERIES
EAN	9340994016559
Light Colour	Warm White
Wattage	3 W
Lumen output	157 lm
IP rating	67
CRI	80
Beam Angle	24 Degrees
Trim colour	Stainless 316
Diameter	68 mm
Width	74 mm
Height	140 mm
Lifespan	50000 Hours
Warranty	5 Years
Weatherproof	Weatherproof
Wiring method	Hardwire
Shatterproof	Shatterproof
LED source	OSRAM
Dimmable	Non Dimmable
Material	316 Stainless steel front and die-cast body
Lamp Type	LED
Input voltage	24 Volt DC
Working temperature	-20°C ~ 45°C



Dimensional Drawings





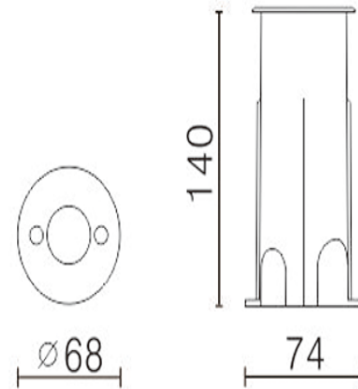
202 Series

Product Specifications

SKU	VBLUP-202-24V-4K
Luminaire efficacy	58 lm/W
Product Series	VBLUP-2XX-SERIES
EAN	9340994016566
Light Colour	Cool White
Wattage	3 W
Lumen output	172 lm
IP rating	67
CRI	80
Beam Angle	24 Degrees
Trim colour	Stainless 316
Diameter	68 mm
Width	74 mm
Height	140 mm
Lifespan	50000 Hours
Warranty	5 Years
Weatherproof	Weatherproof
Wiring method	Hardwire
Shatterproof	Shatterproof
LED source	OSRAM
Dimmable	Non Dimmable
Material	316 Stainless steel front and die-cast body
Input voltage	24 Volt DC
Working temperature	-20°C ~ 45°C



Dimensional Drawings



Photometric information available upon request.



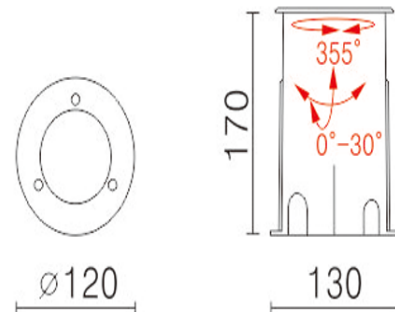
LED 214 Uplights

Product Specifications

SKU	VBLUP-214-24V-3K
Luminaire efficacy	77 lm/W
Product Series	VBLUP-2XX-SERIES
EAN	9340994016573
Light Colour	Warm White
Wattage	6 W
Lumen output	735 lm
IP rating	67
IK Rating	10
CRI	80
Beam Angle	50 Degrees
Trim colour	Stainless 316
Diameter	120 mm
Width	130 mm
Height	170 mm
Lifespan	50000 Hours
Warranty	5 Years
Weatherproof	Weatherproof
Wiring method	Hardwire
LED source	CITIZEN
Dimmable	Non Dimmable
Material	316 Stainless steel front and die-cast body
Accessories	Range of reflectors, honeycombs & diffuser glasses
Lamp Type	LED
Input voltage	24 Volt DC
Working temperature	-20°C ~ 45°C



Dimensional Drawings





Photometric information available upon request.



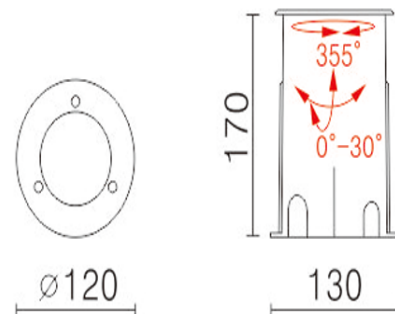
LED 214 Uplights

Product Specifications

SKU	VBLUP-214-24V-4K
Luminaire efficacy	80 lm/W
Product Series	VBLUP-2XX-SERIES
EAN	9340994016580
Light Colour	Cool White
Wattage	6 W
Lumen output	480 lm
IP rating	67
IK Rating	10
CRI	80
Beam Angle	50 Degrees
Trim colour	Stainless 316
Diameter	120 mm
Width	130 mm
Height	170 mm
Lifespan	50000 Hours
Warranty	5 Years
Weatherproof	Weatherproof
Wiring method	Hardwire
Shatterproof	Shatterproof
LED source	CITIZEN
Dimmable	Non Dimmable
Material	316 Stainless steel front and die-cast body
Accessories	Range of reflectors, honeycombs & diffuser glasses
Lamp Type	LED
Input voltage	24 Volt DC
Working temperature	-20°C ~ 45°C



Dimensional Drawings





Photometric information available upon request.



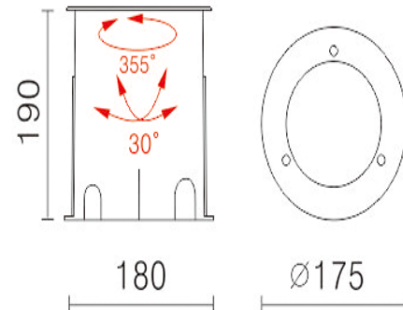
LED 216 Uplights

Product Specifications

SKU	VBLUP-216-24V-3K
Luminaire efficacy	135 lm/W
Product Series	VBLUP-2XX-SERIES
EAN	9340994016597
Light Colour	Warm White
Wattage	12 W
Lumen output	1618 lm
IP rating	67
CRI	80
Beam Angle	50 Degrees
Trim colour	Stainless 316
Diameter	175 mm
Width	180 mm
Height	190 mm
Lifespan	50000 Hours
Warranty	5 Years
Weatherproof	Weatherproof
Wiring method	Hardwire
Shatterproof	Shatterproof
LED source	CITIZEN
Dimmable	Non Dimmable
Material	316 Stainless steel front and die-cast body
Accessories	Optional beam angles & Accessories available
Lamp Type	LED
Input voltage	24 Volt DC
Working temperature	-20°C ~ 45°C



Dimensional Drawings





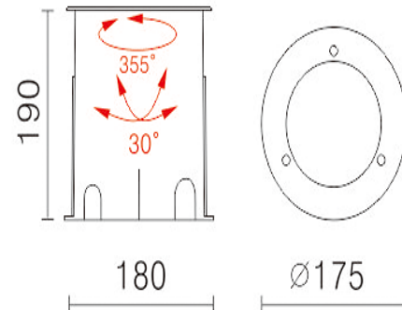
LED 216 Uplights

Product Specifications

SKU	VBLUP-216-24V-4K
Luminaire efficacy	133 lm/W
Product Series	VBLUP-2XX-SERIES
EAN	9340994016603
Light Colour	Cool White
Wattage	12 W
Lumen output	1600 lm
IP rating	67
CRI	80
Beam Angle	50 Degrees
Trim colour	Stainless 316
Diameter	175 mm
Width	180 mm
Height	190 mm
Lifespan	50000 Hours
Warranty	5 Years
Weatherproof	Weatherproof
Wiring method	Hardwire
Shatterproof	Shatterproof
LED source	CITIZEN
Dimmable	Non Dimmable
Material	316 Stainless steel front and die-cast body
Accessories	Optional beam angles & Accessories available
Lamp Type	LED
Input voltage	24 Volt DC
Working temperature	-20°C ~ 45°C



Dimensional Drawings





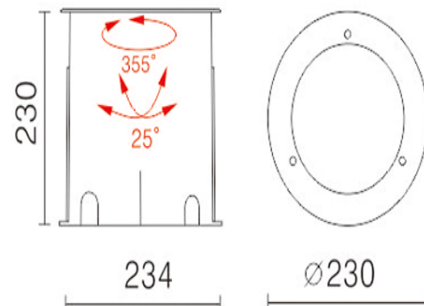
LED 218 Uplights

Product Specifications

SKU	VBLUP-218-24V-3K
Luminaire efficacy	136 lm/W
Product Series	VBLUP-2XX-SERIES
EAN	9340994409948
Light Colour	Warm White
Wattage	18 W
Lumen output	2450 lm
IP rating	67
CRI	80
Beam Angle	70 Degrees
Trim colour	Stainless 316
Diameter	230 mm
Width	234 mm
Height	230 mm
Lifespan	50000 Hours
Warranty	5 Years
Weatherproof	Weatherproof
Wiring method	Hardwire
Shatterproof	Shatterproof
LED source	CITIZEN
Dimmable	Non Dimmable
Material	316 Stainless steel front and die-cast body
Accessories	Optional beam angles & Accessories available
Lamp Type	LED
Input voltage	24 Volt DC
Working temperature	-20°C ~ 45°C



Dimensional Drawings





LED 218 Uplights

Product Specifications

SKU	VBLUP-218-24V-4K
Luminaire efficacy	143 lm/W
Product Series	VBLUP-2XX-SERIES
EAN	9340994409955
Light Colour	Cool White
Wattage	18 W
Lumen output	2573 lm
IP rating	67
CRI	80
Beam Angle	70 Degrees
Trim colour	Stainless 316
Diameter	230 mm
Width	234 mm
Height	230 mm
Lifespan	50000 Hours
Warranty	5 Years
Weatherproof	Weatherproof
Wiring method	Hardwire
Shatterproof	Shatterproof
LED source	CITIZEN
Dimmable	Non Dimmable
Material	316 Stainless steel front and die-cast body
Accessories	Optional beam angles & Accessories available
Lamp Type	LED
Input voltage	24 Volt DC
Working temperature	-20°C ~ 45°C



Dimensional Drawings

