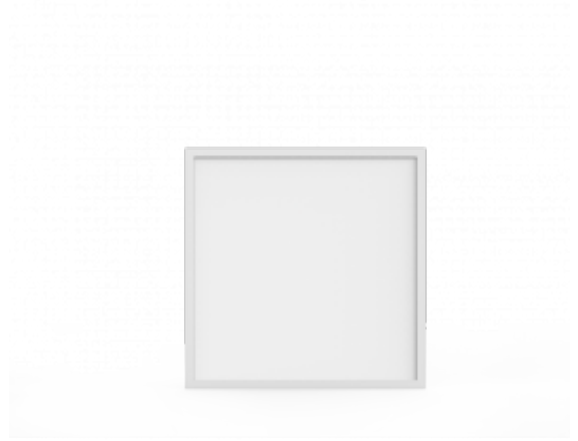




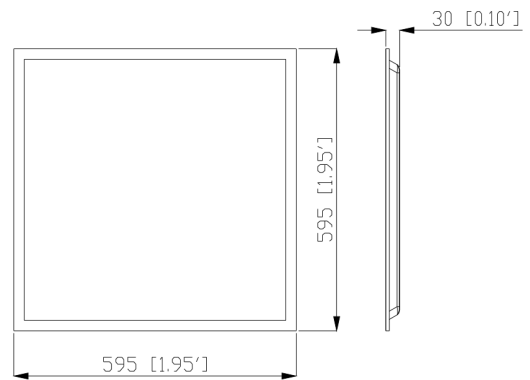
# Skylite 150

## Product Specifications

<b>SKU</b>	VBLFP-BL-606-1-CCT
<b>Luminaire efficacy</b>	100 lm/W
<b>Product Series</b>	VBLFP-150-SERIES
<b>EAN</b>	9340994022727
<b>Wattage</b>	36 W
<b>Lumen output</b>	3600 lm
<b>IP rating</b>	20
<b>CRI</b>	80
<b>Beam Angle</b>	110 Degrees
<b>Lifespan</b>	50000 Hours
<b>Warranty</b>	3 Years
<b>Mounting type</b>	Surface, Recessed
<b>Wiring method</b>	Flex & Plug
<b>LED source</b>	SMD
<b>Lamp Type</b>	LED
<b>Input voltage</b>	220V-240V AC 50HZ
<b>Working temperature</b>	-20-45 degrees
<b>Box Qty</b>	8



## Dimensional Drawings



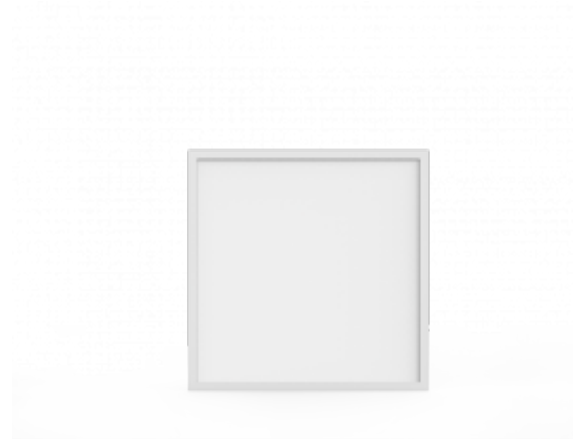
Photometric information available upon request.



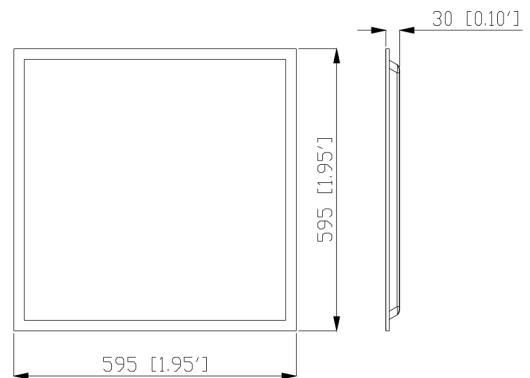
# Skylite 150

## Product Specifications

<b>SKU</b>	VBLFP-BL-606-1-CCT90
<b>Luminaire efficacy</b>	94 lm/W
<b>Product Series</b>	VBLFP-150-SERIES
<b>EAN</b>	9340994022741
<b>Wattage</b>	36 W
<b>Lumen output</b>	3400 lm
<b>IP rating</b>	20
<b>CRI</b>	90
<b>Beam Angle</b>	110 Degrees
<b>Lifespan</b>	50000 Hours
<b>Warranty</b>	3 Years
<b>Mounting type</b>	Surface, Recessed
<b>Wiring method</b>	Flex & Plug
<b>LED source</b>	SMD
<b>Lamp Type</b>	LED
<b>Input voltage</b>	220V-240V AC 50HZ
<b>Working temperature</b>	-20-45 degrees



## Dimensional Drawings



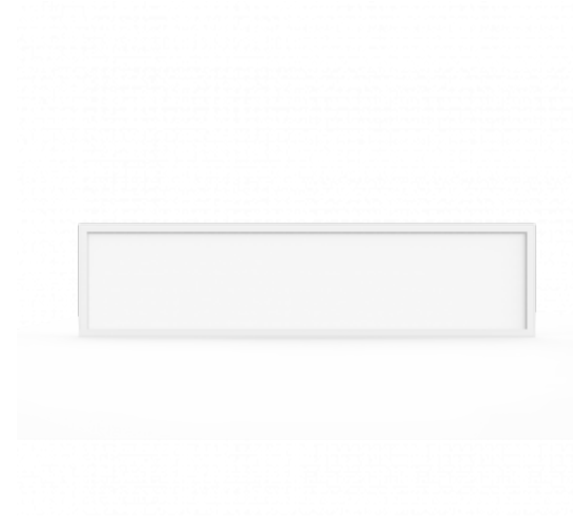
Photometric information available upon request.



# Skylite 150

## Product Specifications

<b>SKU</b>	VBLFP-BL-312-1-CCT
<b>Luminaire efficacy</b>	100 lm/W
<b>Product Series</b>	VBLFP-150-SERIES
<b>EAN</b>	9340994022710
<b>Wattage</b>	36 W
<b>Lumen output</b>	3600 lm
<b>IP rating</b>	20
<b>CRI</b>	80
<b>Beam Angle</b>	110 Degrees
<b>Lifespan</b>	50000 Hours
<b>Warranty</b>	3 Years
<b>Mounting type</b>	Surface, Recessed
<b>Wiring method</b>	Flex & Plug
<b>LED source</b>	SMD
<b>Lamp Type</b>	LED
<b>Input voltage</b>	220V-240V AC 50HZ
<b>Working temperature</b>	-20-45 degrees
<b>Box Qty</b>	6



## Dimensional Drawings



Photometric information available upon request.



## Skylite 150

### Product Specifications

<b>SKU</b>	VBLFP-BL-312-1-CCT90
<b>Luminaire efficacy</b>	94 lm/W
<b>Product Series</b>	VBLFP-150-SERIES
<b>EAN</b>	9340994022734
<b>Wattage</b>	36 W
<b>Lumen output</b>	3400 lm
<b>IP rating</b>	20
<b>CRI</b>	90
<b>Beam Angle</b>	110 Degrees
<b>Lifespan</b>	50000 Hours
<b>Warranty</b>	3 Years
<b>Wiring method</b>	Flex & Plug
<b>LED source</b>	SMD
<b>Lamp Type</b>	LED
<b>Input voltage</b>	220V-240V AC 50HZ
<b>Working temperature</b>	-20-45 degrees



### Dimensional Drawings



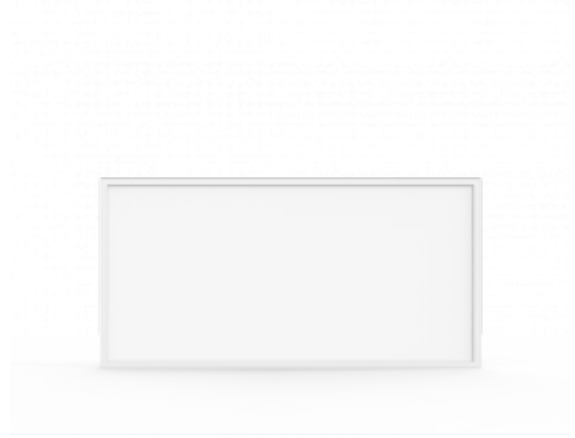
*Photometric information available upon request.*



# Skylite 150

## Product Specifications

<b>SKU</b>	VBLFP-BL-612-1-CCT
<b>Luminaire efficacy</b>	100 lm/W
<b>Product Series</b>	VBLFP-150-SERIES
<b>EAN</b>	9340994022758
<b>Wattage</b>	60 W
<b>Lumen output</b>	6000 lm
<b>IP rating</b>	20
<b>CRI</b>	80
<b>Beam Angle</b>	110 Degrees
<b>Lifespan</b>	50000 Hours
<b>Warranty</b>	3 Years
<b>Mounting type</b>	Surface, Recessed
<b>Wiring method</b>	Flex & Plug
<b>LED source</b>	SMD
<b>Lamp Type</b>	LED
<b>Input voltage</b>	220V-240V AC 50HZ
<b>Working temperature</b>	-20-45 degrees



## Dimensional Drawings



Photometric information available upon request.