



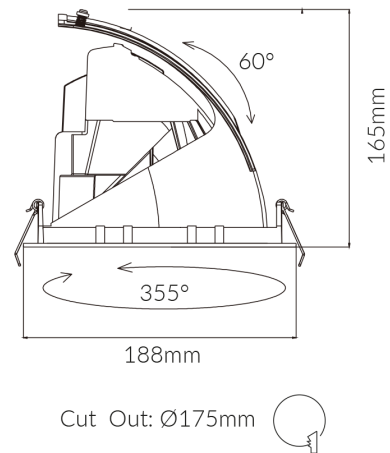
Shoplite 4000

Product Specifications

SKU	VBLDL-344-4-4K
Luminaire efficacy	132 lm/W
Product Series	VBLDL-344-SERIES
EAN	9340994409559
Wattage	34 W
Lumen output	4500 lm
IP rating	20
CRI	90
Beam Angle	40 Degrees
Trim colour	Black
Cut out	175 mm
Diameter	188 mm
Height	165 mm
Warranty	5 Years
Mounting type	Recessed
LED source	CITIZEN
Dimmable	Non Dimmable
Diffuser	Clear
EMC	EN55015
Accessories	Standard with 40° reflector - optional 20° and 60° reflector
Input current	900
Lamp Type	LED
Input voltage	220V-240V AC 50HZ
Working temperature	-20°C ~ 50°C



Dimensional Drawings





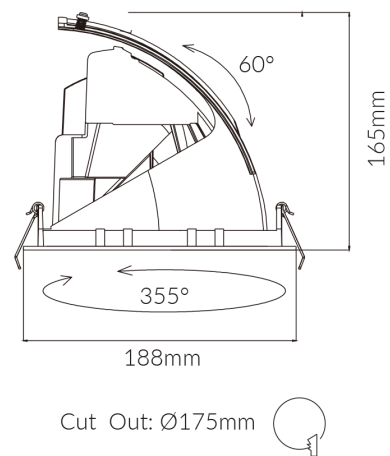
Shoplite 4000

Product Specifications

SKU	VBLDL-344-1-3K
Luminaire efficacy	124 lm/W
Product Series	VBLDL-344-SERIES
EAN	9340994404028
Wattage	34 W
Lumen output	4200 lm
IP rating	20
CRI	80
Beam Angle	40 Degrees
Trim colour	White
Cut out	175 mm
Diameter	188 mm
Height	165 mm
Warranty	5 Years
Tilt center	60 degrees
Mounting type	Recessed
LED source	CITIZEN
Dimmable	Non Dimmable
Diffuser	Clear
Constant current/voltage	Constant Current
EMC	EN55015
Accessories	Standard with 40° reflector - optional 20° and 60° reflector
Input current	900
Lamp Type	LED
Input voltage	220V-240V AC 50HZ
Working temperature	-20°C ~ 50°C



Dimensional Drawings





Photometric information available upon request.



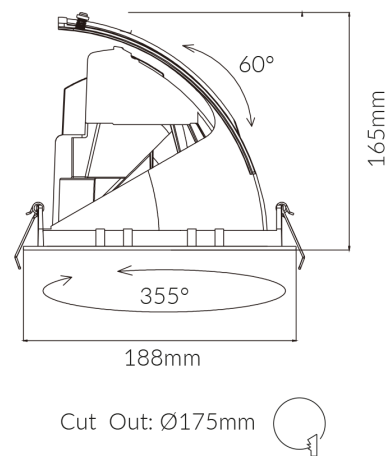
Shoplite 4000

Product Specifications

SKU	VBLDL-344-1-4K
Luminaire efficacy	132 lm/W
Product Series	VBLDL-344-SERIES
EAN	9340994014739
Wattage	34 W
Lumen output	4500 lm
IP rating	20
CRI	80
Beam Angle	40 Degrees
Trim colour	White
Cut out	175 mm
Diameter	188 mm
Height	165 mm
Lifespan	50000 Hours
Warranty	5 Years
Tilt center	60 degrees
Weatherproof	Non-weatherproof
Mounting type	Recessed
LED source	CITIZEN
Dimmable	Non Dimmable
Diffuser	Clear
Constant current/voltage	Constant Current
EMC	EN55015
Accessories	Standard with 40° reflector - optional 20° and 60° reflector
Input current	900
Lamp Type	LED
Input voltage	220V-240V AC 50HZ
Working temperature	-20°C ~ 50°C



Dimensional Drawings





Photometric information available upon request.



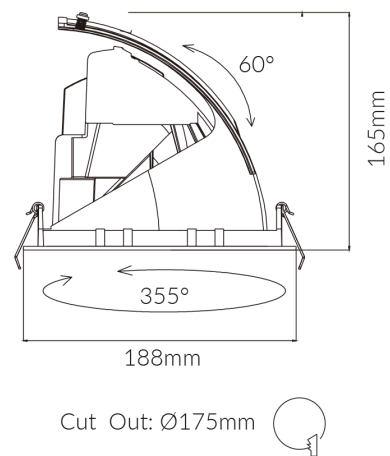
Shoplite 4000

Product Specifications

SKU	VBLDL-344-1-5K
Luminaire efficacy	132 lm/W
Product Series	VBLDL-344-SERIES
EAN	9340994402826
Wattage	34 W
Lumen output	4500 lm
IP rating	20
CRI	80
Beam Angle	40 Degrees
Trim colour	White
Cut out	175 mm
Diameter	188 mm
Height	165 mm
Lifespan	50000 Hours
Warranty	5 Years
Tilt center	60 degrees
Weatherproof	Non-weatherproof
Mounting type	Recessed
LED source	CITIZEN
Dimmable	Non Dimmable
Diffuser	Clear
Constant current/voltage	Constant Current
EMC	EN55015
Accessories	Standard with 40° reflector - optional 20° and 60° reflector
Input current	900
Lamp Type	LED
Input voltage	220V-240V AC 50HZ
Working temperature	-20°C ~ 50°C



Dimensional Drawings





Photometric information available upon request.