



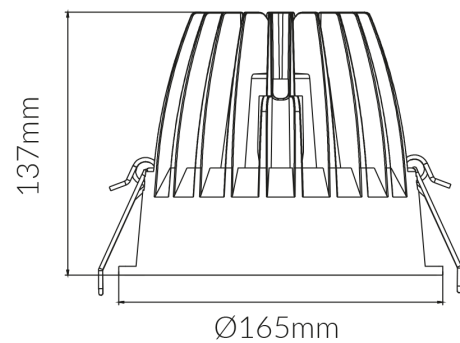
Retro 4000

Product Specifications

SKU	VBLDL-195-1-3K
Luminaire efficacy	113 lm/W
Product Series	VBLDL-195-SERIES
EAN	9340994018546
Wattage	38 W
Lumen output	4200 lm
IP rating	54
CRI	80
Beam Angle	40 Degrees
Trim colour	White
Cut out	150 mm
Diameter	165 mm
Height	137 mm
Lifespan	50000 Hours
Warranty	5 Years
Weatherproof	Weatherproof
Mounting type	Recessed
Wiring method	Flex & Plug or Hardwire
LED source	CITIZEN
Dimmable	Non Dimmable
Diffuser	Clear
Constant current/voltage	Constant Current
EMC	EN55015
Input current	900
Lamp Type	LED
Input voltage	220V-240V AC 50HZ
Working temperature	-30°C ~ 50°C
Box Qty	1



Dimensional Drawings



Cut Out: Ø150mm 



Photometric information available upon request.



Retro 4000

Product Specifications

SKU	VBLDL-195-1-3K90
Product Series	VBLDL-195-SERIES
EAN	9340994018577
Light Colour	Warm White
Wattage	38 W
IP rating	54
CRI	90
Beam Angle	40 Degrees
Trim colour	White
Cut out	150 mm
Diameter	165 mm
Height	137 mm
Lifespan	50000 Hours
Warranty	5 Years
Weatherproof	Weatherproof
Mounting type	Recessed
Wiring method	Flex & Plug or Hardwire
LED source	CITIZEN
Dimmable	Non Dimmable
Diffuser	Clear
Material	Aluminium
Lamp Type	LED
Input voltage	220V-240V AC 50HZ
Working temperature	-30°C ~ 50°C
Box Qty	1

