



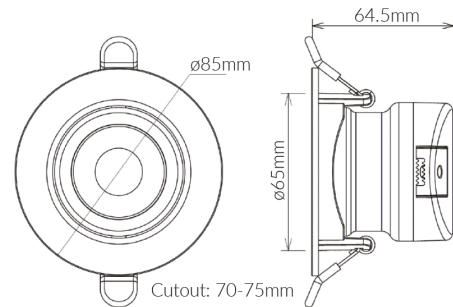
166 Series

Product Specifications

SKU	VBLDL-166-1-30
Luminaire efficacy	89 lm/W
Product Series	VBLDL-166-1-SERIES
EAN	9340994017075
Wattage	7 W
Lumen output	620 lm
IP rating	20
CRI	80
Beam Angle	60 Degrees
Trim colour	White
Cut out	70 mm
Diameter	85 mm
Height	65 mm
Lifespan	40000 Hours
Warranty	3 Years
Dimmable	Dimmable
Lamp Type	LED
Material	Thermal Plastic
LED source	EPISTAR
Input voltage	220V-265V AC 50hz
Mounting type	Recessed
Wiring method	Flex & Plug
Working temperature	-20°C ~ -45°C



Dimensional Drawings



Photometric information available upon request.