



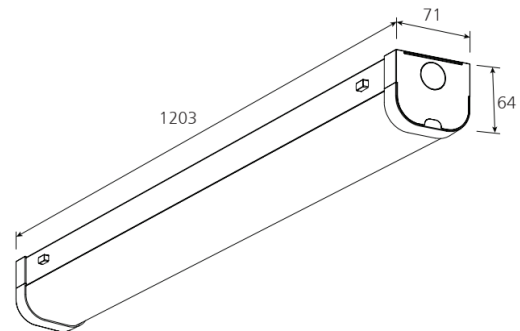
4FT LED BATTEN 40W 3CCT IP20

Product Specifications

SKU	VBLB-4-40W-CCT
Luminaire efficacy	107 lm/W
Product Series	VBLB-100-SERIES
EAN	9340994021737
Wattage	40 W
Lumen output	4300 lm
IP rating	20
IK Rating	8
CRI	80
Beam Angle	120 Degrees
Lifespan	50000 Hours
Warranty	3 Years
Mounting type	Surface
Wiring method	Hardwire
LED source	SMD
Diffuser	Frosted
Lamp Type	LED
Input voltage	220-240V / 50Hz
Working temperature	-20 to 45 degrees
Box Qty	12



Dimensional Drawings



Photometric information available upon request.