



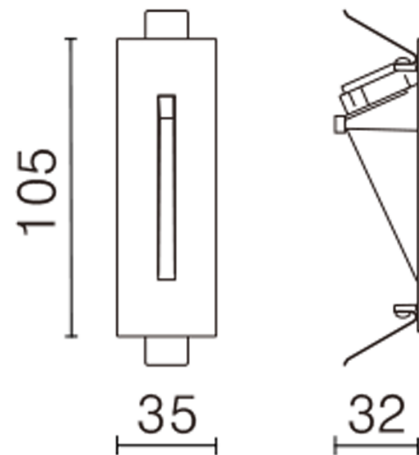
## Vibe Recessed LED Wall Light 3W, 3K W/O Driver White

### Product Specifications

<b>SKU</b>	VBL-E06-3K-WHT
<b>Luminaire efficacy</b>	34 lm/W
<b>Product Series</b>	VBL-ACCENT200-SERIES
<b>EAN</b>	9340994018485
<b>Wattage</b>	3 W
<b>Lumen output</b>	102 lm
<b>IP rating</b>	20
<b>CRI</b>	90
<b>Beam Angle</b>	80 Degrees
<b>Trim colour</b>	White
<b>Cut out</b>	30 mm
<b>Length</b>	105 mm
<b>Width</b>	35 mm
<b>Height</b>	32 mm
<b>Lifespan</b>	50000 Hours
<b>Warranty</b>	3 Years
<b>LED source</b>	OSRAM
<b>Constant current/voltage</b>	Constant Current
<b>Input current</b>	350
<b>Lamp Type</b>	LED
<b>Input voltage</b>	240 Volt AC 50HZ
<b>Working temperature</b>	-20°C ~40°C



### Dimensional Drawings



*Photometric information available upon request.*



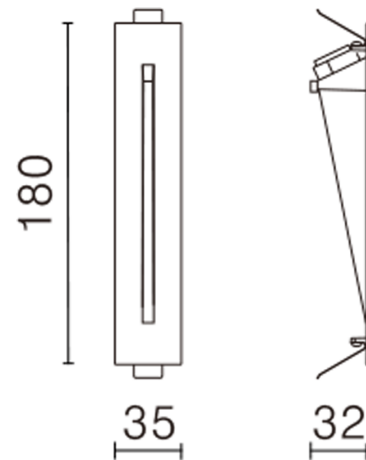
## Vibe Recessed LED Wall Light 3W, 3K W/O Driver White

### Product Specifications

<b>SKU</b>	VBL-E07-3K-WHT
<b>Luminaire efficacy</b>	42 lm/W
<b>Product Series</b>	VBL-ACCENT200-SERIES
<b>EAN</b>	9340994018492
<b>Wattage</b>	3 W
<b>Lumen output</b>	128 lm
<b>IP rating</b>	20
<b>CRI</b>	90
<b>Beam Angle</b>	90 Degrees
<b>Trim colour</b>	White
<b>Cut out</b>	30 mm
<b>Length</b>	180 mm
<b>Width</b>	35 mm
<b>Height</b>	32 mm
<b>Lifespan</b>	50000 Hours
<b>Warranty</b>	3 Years
<b>LED source</b>	OSRAM
<b>Constant current/voltage</b>	Constant Current
<b>Input current</b>	350
<b>Lamp Type</b>	LED
<b>Input voltage</b>	240 Volt AC 50HZ
<b>Working temperature</b>	-20°C ~ 40°C



### Dimensional Drawings



*Photometric information available upon request.*