

Last modification 2023-04-25

**URBAN 100BKNK-85**  
**9329501049051**



## Overview

<b>Family name</b>	Urban
<b>Categories</b>	Downlights
<b>Mounting</b>	Recess
<b>Usage</b>	Indoor Lighting, Trade Selection

## Color / Material

<b>Fixture Color</b>	Black, Nickel
<b>Fixture Material</b>	Metal, Polycarbonate
<b>Diffuser Color</b>	Frost
<b>Diffuser Material</b>	Polycarbonate

## Size

<b>Fixture Diameter (cm)</b>	10.0
<b>Fixture Height (cm)</b>	4.0

## Specification

<b>Voltage Input</b>	240V
<b>Wattage (max)</b>	10
<b>Globe Type</b>	LED integrated SMD
<b>Globe / Light Source qty</b>	1
<b>Globe / Light Source included</b>	Yes
<b>Lumens</b>	890
<b>Color Temperature</b>	Cool White
<b>Color Kelvin</b>	5000k
<b>Color Rendering</b>	>84
<b>Dimmable</b>	Yes
<b>Power Factor</b>	>0.90
<b>Surge Protection</b>	Yes (1.5 Kva)
<b>Current Output</b>	110
<b>Insulation class</b>	IC-4
<b>IP rating</b>	IP44
<b>Lead and Plug</b>	Yes

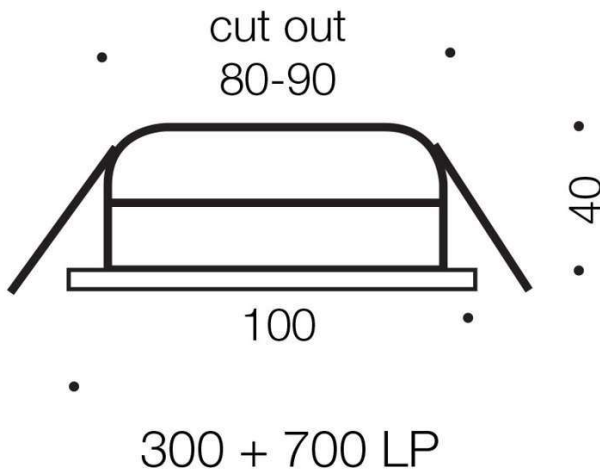
All representations within this document are subject to copyright. ELECTRICAL INSTALLATIONS MUST BE PERFORMED BY A QUALIFIED ELECTRICAL CONTRACTOR AND INSTALLED IN ACCORDANCE WITH AS/NZS 3000.  
NOTE : All images , descriptions and dimensions are indicative. Please check latest version of item detail on Telbix website prior to ordering or installation.

<b>Approvals</b>	RCM
<b>Assembly Required</b>	Yes
<b>Box Contents</b>	Instruction
<b>Installation Required</b>	Yes (by Licensed Electrician only)
<b>Care Instructions</b>	Do not use strong liquid cleaners, Wipe clean with a dry cloth
<b>Replacement Warranty</b>	*Clearance item 1 year warranty

Barcode

**GTIN** 9329501049051

Image -dimensions



Last modification 2023-04-25

**URBAN 100WH-850**  
**9329501049037**



## Overview

<b>Family name</b>	Urban
<b>Categories</b>	Downlights
<b>Mounting</b>	Recess
<b>Usage</b>	Indoor Lighting, Trade Selection

## Color / Material

<b>Fixture Color</b>	White
<b>Fixture Material</b>	Metal, Polycarbonate
<b>Diffuser Color</b>	Frost
<b>Diffuser Material</b>	Polycarbonate

## Size

<b>Fixture Diameter (cm)</b>	10.0
<b>Fixture Height (cm)</b>	4.0

## Specification

<b>Voltage Input</b>	240V
<b>Wattage (max)</b>	10
<b>Globe Type</b>	LED integrated SMD
<b>Globe / Light Source qty</b>	1
<b>Globe / Light Source included</b>	Yes
<b>Lumens</b>	890
<b>Color Temperature</b>	Cool White
<b>Color Kelvin</b>	5000k
<b>Color Rendering</b>	>84
<b>Dimmable</b>	Yes
<b>Power Factor</b>	>0.90
<b>Surge Protection</b>	Yes (1.5 Kva)
<b>Current Output</b>	110
<b>Insulation class</b>	IC-4
<b>IP rating</b>	IP44
<b>Lead and Plug</b>	Yes

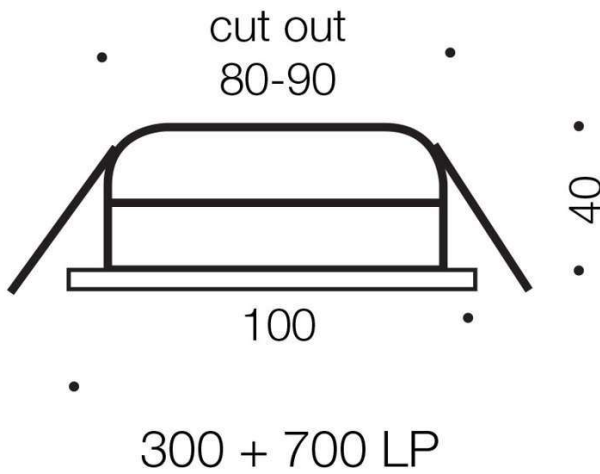
All representations within this document are subject to copyright. ELECTRICAL INSTALLATIONS MUST BE PERFORMED BY A QUALIFIED ELECTRICAL CONTRACTOR AND INSTALLED IN ACCORDANCE WITH AS/NZS 3000.  
NOTE : All images , descriptions and dimensions are indicative. Please check latest version of item detail on Telbix website prior to ordering or installation.

<b>Approvals</b>	RCM
<b>Assembly Required</b>	Yes
<b>Box Contents</b>	Instruction
<b>Installation Required</b>	Yes (by Licensed Electrician only)
<b>Care Instructions</b>	Do not use strong liquid cleaners, Wipe clean with a dry cloth
<b>Replacement Warranty</b>	*Clearance item 1 year warranty

Barcode

**GTIN** 9329501049037

Image -dimensions



Last modification 2023-04-25

**URBAN 100WHNK-85**  
**9329501049075**



## Overview

<b>Family name</b>	Urban
<b>Categories</b>	Downlights
<b>Mounting</b>	Recess
<b>Usage</b>	Indoor Lighting, Trade Selection

## Color / Material

<b>Fixture Color</b>	White, Nickel
<b>Fixture Material</b>	Metal, Polycarbonate
<b>Diffuser Color</b>	Frost
<b>Diffuser Material</b>	Polycarbonate

## Size

<b>Fixture Diameter (cm)</b>	10.0
<b>Fixture Height (cm)</b>	4.0

## Specification

<b>Voltage Input</b>	240V
<b>Wattage (max)</b>	10
<b>Globe Type</b>	LED integrated SMD
<b>Globe / Light Source qty</b>	1
<b>Globe / Light Source included</b>	Yes
<b>Lumens</b>	890
<b>Color Temperature</b>	Cool White
<b>Color Kelvin</b>	5000k
<b>Color Rendering</b>	>84
<b>Dimmable</b>	Yes
<b>Power Factor</b>	>0.90
<b>Surge Protection</b>	Yes (1.5 Kva)
<b>Current Output</b>	110
<b>Insulation class</b>	IC-4
<b>IP rating</b>	IP44
<b>Lead and Plug</b>	Yes

All representations within this document are subject to copyright. ELECTRICAL INSTALLATIONS MUST BE PERFORMED BY A QUALIFIED ELECTRICAL CONTRACTOR AND INSTALLED IN ACCORDANCE WITH AS/NZS 3000.  
NOTE : All images , descriptions and dimensions are indicative. Please check latest version of item detail on Telbix website prior to ordering or installation.

<b>Approvals</b>	RCM
<b>Assembly Required</b>	Yes
<b>Box Contents</b>	Instruction
<b>Installation Required</b>	Yes (by Licensed Electrician only)
<b>Care Instructions</b>	Do not use strong liquid cleaners, Wipe clean with a dry cloth
<b>Replacement Warranty</b>	*Clearance item 1 year warranty

Barcode

**GTIN** 9329501049075

Image -dimensions

