



# TWINSPOT IP65 PRO

A NEW ERA OF EMERGENCY MONITORING AND TESTING



## FEATURES

- Compliant emergency lighting
- Emergency output of 2 x 208 lm
- Best in class energy consumption
- Average power consumption <math><0.25\text{W}</math>
- Premium Lithium batteries (LiFePO<sub>4</sub>) and smart charger



## WIRELESS UPGRADE

Automatically test and sync data to the Cloud



## SELF TEST

Commission the product to perform its own tests



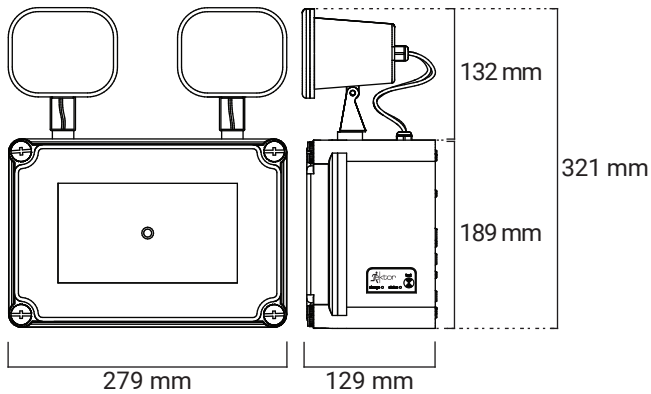
## DALI CERTIFIED

Connect to a DALI system for DALI testing



## SINGLE POINT UNIT

Ektor products work as SPUs out of the box



## PRODUCT RANGE

ORDER CODE	QTY
<b>EV-TWINSPOT-WP-PRO</b> Twinspot IP65 Pro Emergency Luminaire	4
<b>EV-TWINSPOT-WP-PRO-B*</b> Black Twinspot IP65 Pro Emergency Luminaire	4

### FEATURES

- Compliant emergency lighting
- Emergency output of 2 x 208 lm
- Best in class energy consumption
- Average power consumption <0.25W
- Premium Lithium batteries (LiFePO<sub>4</sub>) and smart charger

\*Built to order

## TOTAL POWER CONSUMPTION (TPC)

MAINTAINED MODE		NON-MAINTAINED MODE	
MAX.	AVG.	MAX.	AVG.
< 7 W	4.25 W	3 W	0.25 W

## ACCESSORY RANGE

ORDER CODE	DESCRIPTION
<b>EV-TWINSPOT-WP-PRO-INV</b>	Twinspot Pro IP65 inverter
<b>EV-TWINSPOT-WP-PRO-B-INV</b>	Black Twinspot Pro IP65 inverter
<b>ZC-BATT-3000MAH</b>	zencontrol 3000mAh 6.4V 2 Cell LiFePO <sub>4</sub> battery
<b>ZC-WIFI</b>	zencontrol - Wi-Fi Expansion Module

## OPERATIONAL INFORMATION

GENERAL	
Voltage	220~240V
Frequency	50Hz
Ambient temp.	40°C
Class	1
Wiring	Terminal block (1-16 mm □)
Mounting type	Wall
IP rating	IP65
LED wattage	4.3 W

EMERGENCY	
Lumens	2 x 208 lm
Rated duration	3 hours
Optional duration	1 / 2 / 3 / 4 / 8 hours (dependant on jumpers)
Emergency testing	Standalone Self test Wi-Fi Self test DALI Self test

## COMPLIANCE

Standards	IEC 60598-2-22 CISPR 15 IEC 62034 IEC 62386-201 EMC-2004/108/EC LVD-2006/95/EC
-----------	---

BATTERY		CHARGE	
Type	LiFePO <sub>4</sub>	Type	Smart charge
Supply current	600 mA	Time	16 Hours
Voltage	6.4 V	Operation	Multi-state
Code	zc-batt-3000mah		

## CONSTRUCTION

Body	PC
Diffuser	PC
Gear tray	Galvanized steel
Weight	2.05 kg net

**NOTE:** For more information on the chemical resistance of our polycarbonate, please see our website.

Datasheet is subject to change without notice, E&OE  
Last updated: 27 September 2018\_V2.1