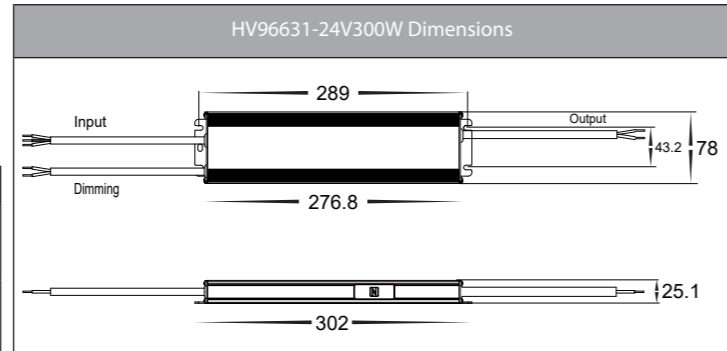
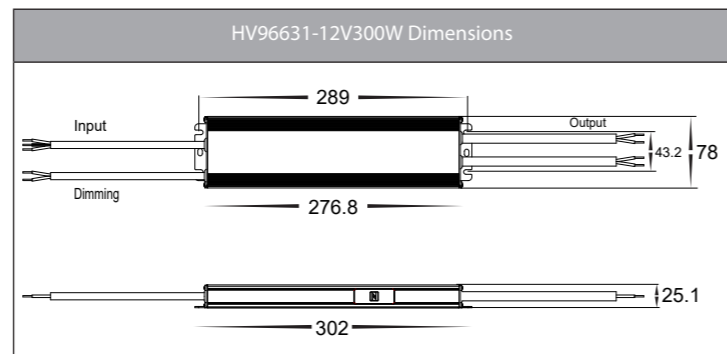


# 300w Dali + Push Dim Constant Voltage IP66 LED Driver



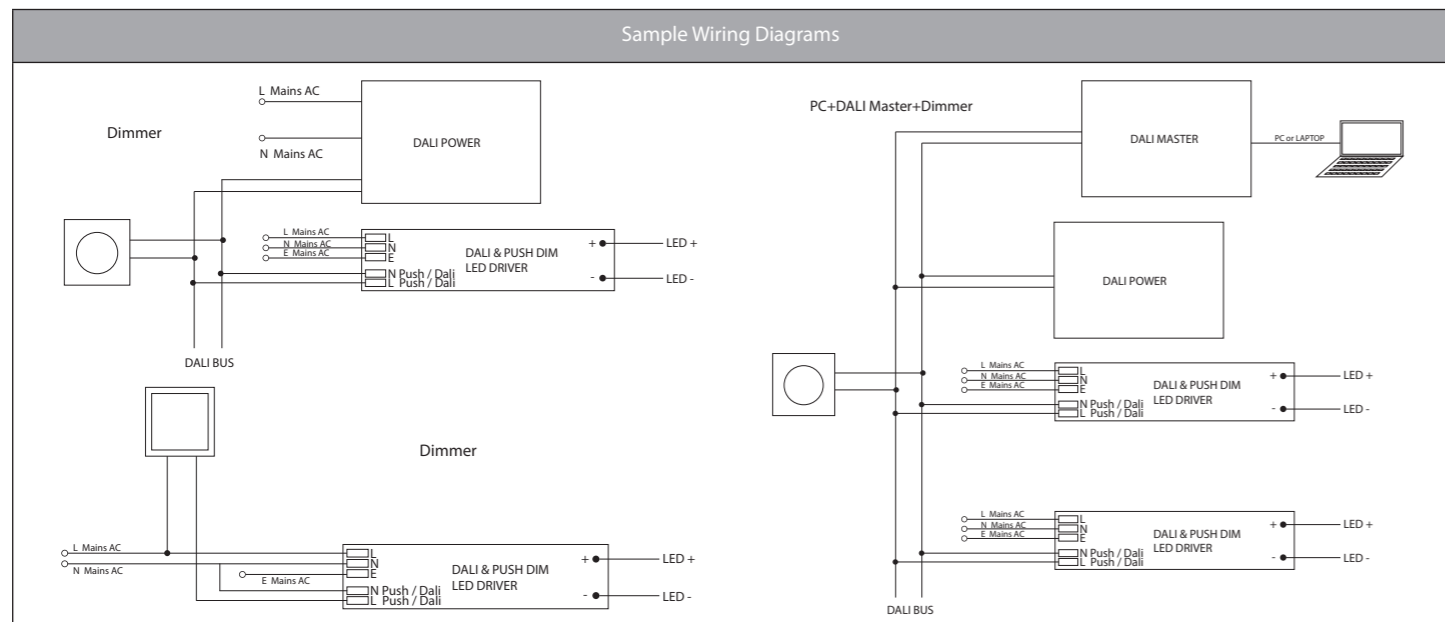
## Product Specifications

Material	Aluminium
Colour	Anodised Grey
IP Rating	IP66
Input Voltage	100 - 240v AC
Output Voltage	Available in either 12v DC or 24v DC
Max Wattage	300w
Recommended Max Wattage	240w
Protection Class	Class 1 (Earth Required)
Dimming Methods	Dali or Push Dim
Dimming Range	5% - 100%
Protections	Short Circuit, Overload, Over Temperature.
Warranty	3 Years Replacement*



## Product Ordering

Part Number	Output Voltage	Barcode
<b>HV96631-12V300W</b>	12v DC Constant Voltage	9350418027603
<b>HV96631-24V300W</b>	24v DC Constant Voltage	9350418027665



Part Number		HV96631-12V300W	HV96631-24V300W
<b>Output</b>	DC Voltage	12v DC (12-13.5V Adjust by NFC)	24v DC (24-26V Adjust by NFC)
	Voltage Tolerance	± 0.2V	
	Rated Current	25A	12.5A
	Rated Power	300W	
	Load Regulation	± 2%	
<b>Input</b>	Standby Power Consumption	≤ 0.5W	≤ 0.5W
	Voltage Range	100-277V AC	
	Frequency Range	47 - 63Hz	
	Power Factor (TYP.) @ Full Load	PF≥0.98 @ 120V AC   PF≥0.95 @ 230V AC   PF≥ 0.90 @ 277V AC (Full Loading)	
	THD(Typ.) @ Full Load	≤10% @ 120V AC   ≤ 10% @ 230V AC   ≤15% @ 277V AC	
	Efficiency(Typ.)@ Full Load	88% @ 120V AC   90% @ 230V AC   90% @ 277V AC	
	AC Current (Max)	3.5A	3.5A
	Inrush Current (TYP)	60A, 510us@50% Ipeak (120V AC)	
		70A, 120us@50% Ipeak (230V AC)	
		180A, 560us@50% Ipeak (277V AC)	
Leakage Current	.05mA		
<b>Protections</b>	Short Circuit	Hiccup mode, Recover automatically after fault condition is removed	
	Overload	≤120%, Hiccup mode, Recover automatically after fault condition is removed	
	Over Temperature	Ambient Temperature Over 55°C ± 10°C, Output will turn off and recovers automatically after temperature drops.	
<b>Environment</b>	Working Temp.	-40°-+60°C	
	Working Humidity	20-90%RH, Non Condensing	
	Storage TEMP. Humidity	-40 - +80°C, 10 - 95% RH	
	TEMP. Coefficient	≤0.03%/°c (0-50°C)	
	Vibration	10-500Hz, 2g 10min./1 Cycle, Period for 60min, each along X,Y,Z axes	
<b>Safety &amp; EMC</b>	Safety Standards	EN61347-1	
	Isolation Resistance	I/P-O/P I/P-FG O/P-FG:100MΩ/500VDC/25°C/70%RH	
	EMC Emission	EN55015   EN61000-3-2 EN61000-3-3 (EU)≥50% Load & FCC Part 15 B (US)	
	EMC Immunity	EN61000-4-2,3,4,5,6,11   EN61547	
<b>Others</b>	Weight	0.35Kg	

\*Items ordered after 01-01-2022



Warranty Terms & Conditions



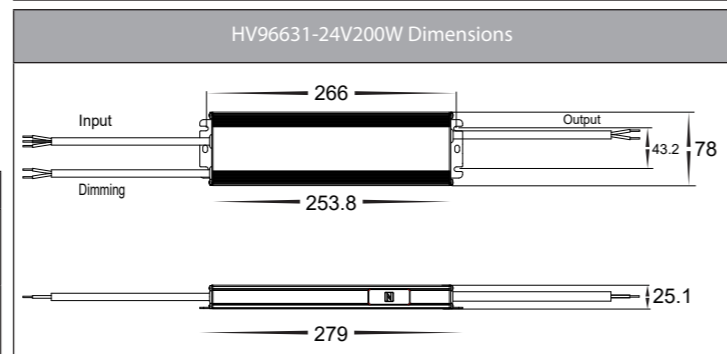
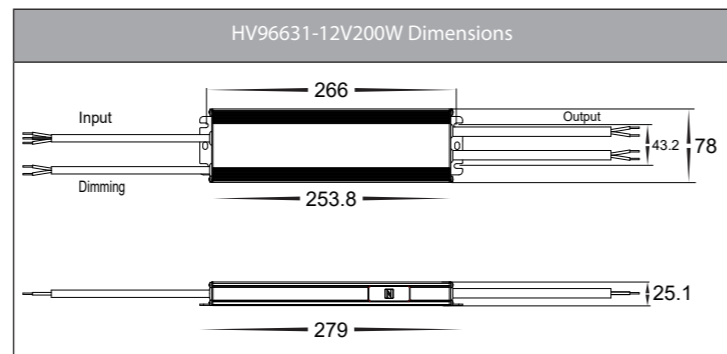
www.havit.com.au

# 200w Dali + Push Dim Constant Voltage IP66 LED Driver



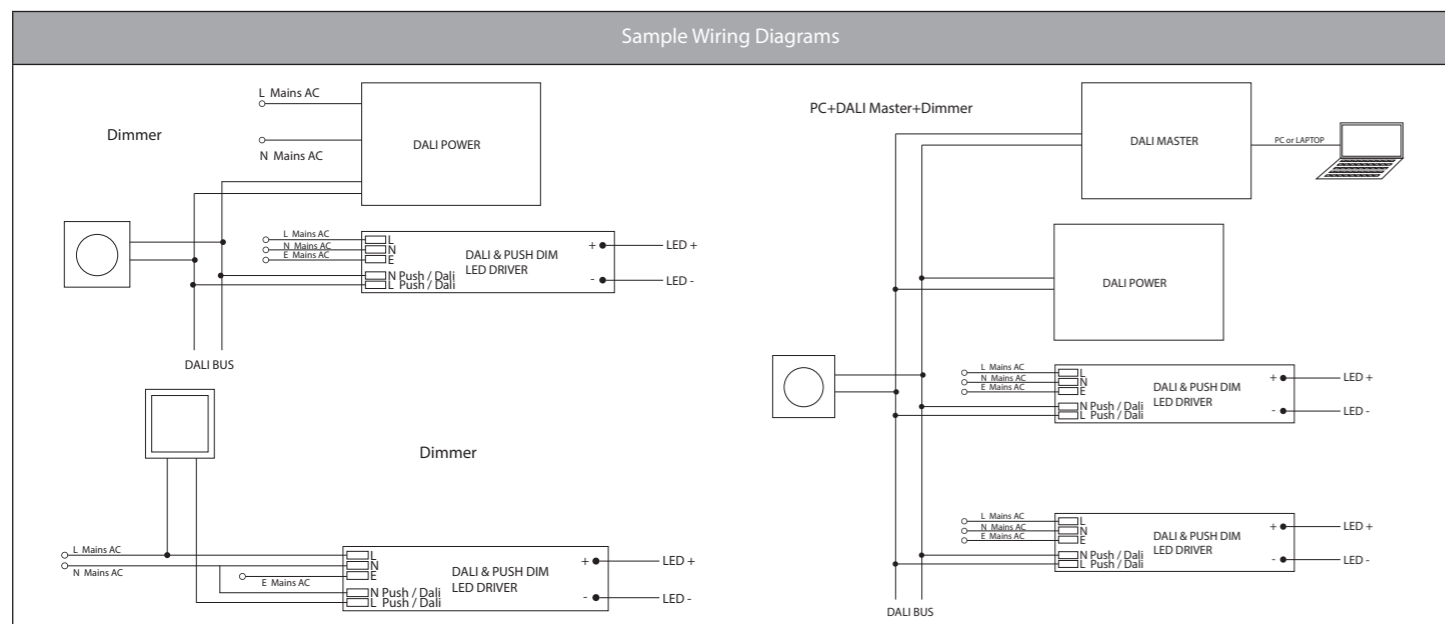
## Product Specifications

Material	Aluminium
Colour	Anodised Grey
IP Rating	IP66
Input Voltage	100 - 240v AC
Output Voltage	Available in either 12v DC or 24v DC
Max Wattage	200w
Recommended Max Wattage	160w
Protection Class	Class 1 (Earth Required)
Dimming Methods	Dali or Push Dim
Dimming Range	5% - 100%
Protections	Short Circuit, Overload, Over Temperature.
Warranty	3 Years Replacement*



## Product Ordering

Part Number	Output Voltage	Barcode
<b>HV96631-12V200W</b>	12v DC Constant Voltage	9350418027597
<b>HV96631-24V200W</b>	24v DC Constant Voltage	9350418027658



\*Items ordered after 01-01-2022

Havit Lighting  
143 Beauchamp Road,  
Matraville, N.S.W. 2036

Phone: 02 9381 8300  
Email: sales@havit.com.au  
Web: www.havit.com.au



Warranty Terms & Conditions



www.havit.com.au

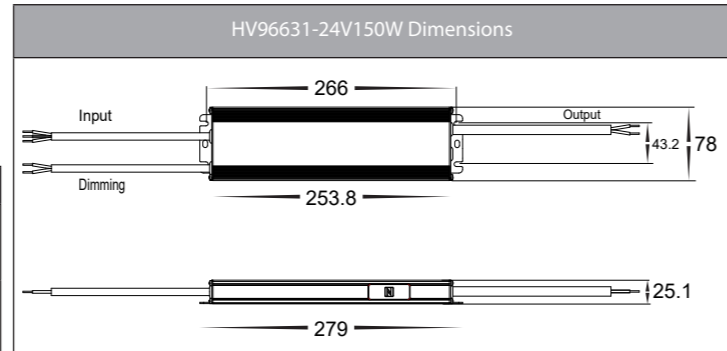
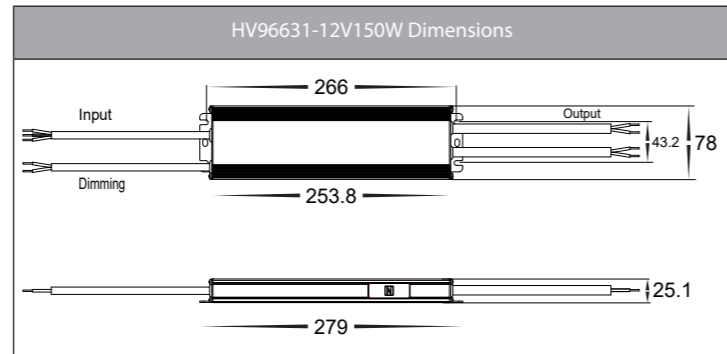
Part Number	HV96631-12V200W	HV96631-24V200W	
<b>Output</b>	DC Voltage	12v DC (12-13.5V Adjust by NFC)	24v DC (24-26V Adjust by NFC)
	Voltage Tolerance	± 0.2V	
	Rated Current	16.67A	8.34A
	Rated Power	200W	
	Load Regulation	± 2%	
<b>Input</b>	Standby Power Consumption	≤ 0.5W	≤ 0.5W
	Voltage Range	100-277V AC	
	Frequency Range	47 - 63Hz	
	Power Factor (TYP.) @ Full Load	PF≥0.98 @ 120V AC   PF≥0.96 @ 230V AC   PF≥ 0.95 @ 277V AC (Full Loading)	
	THD(Typ.) @ Full Load	≤10% @ 120V AC   ≤ 10% @ 230V AC   ≤15% @ 277V AC	
	Efficiency(Typ.)@ Full Load	89% @ 120V AC   91% @ 230V AC   91% @ 277V AC	
	AC Current (Max)	2.3A	2.3A
	Inrush Current (TYP.)	38.4A, 510us@50% Ipeak (120V AC)	
		88A, 120us@50% Ipeak (230V AC)	
		48A, 560us@50% Ipeak (277V AC)	
Leakage Current	.05mA		
<b>Protections</b>	Short Circuit	Hiccup mode, Recover automatically after fault condition is removed	
	Overload	≤120%, Hiccup mode, Recover automatically after fault condition is removed	
	Over Temperature	Ambient Temperature Over 55°C ± 10°C, Output will turn off and recovers automatically after temperature drops.	
<b>Environment</b>	Working Temp.	-40°-+60°C	
	Working Humidity	20-90%RH, Non Condensing	
	Storage TEMP. Humidity	-40 - +80°C, 10 - 95% RH	
	TEMP. Coefficient	≤0.03%/°c (0-50°C)	
	Vibration	10-500hZ, 2g 10min./1 Cycle, Period for 60min, each along X,Y,Z axes	
<b>Safety &amp; EMC</b>	Safety Standards	EN61347-1	
	Isolation Resistance	I/P-O/P I/P-FG O/P-FG:100MΩ/500VDC/25°C/70%RH	
	EMC Emission	EN55015   EN61000-3-2 EN61000-3-3 (EU)≥50% Load & FCC Part 15 B (US)	
	EMC Immunity	EN61000-4-2,3,4,5,6,11   EN61547	
<b>Others</b>	Weight	0.35Kg	

# 150w Dali + Push Dim Constant Voltage IP66 LED Driver



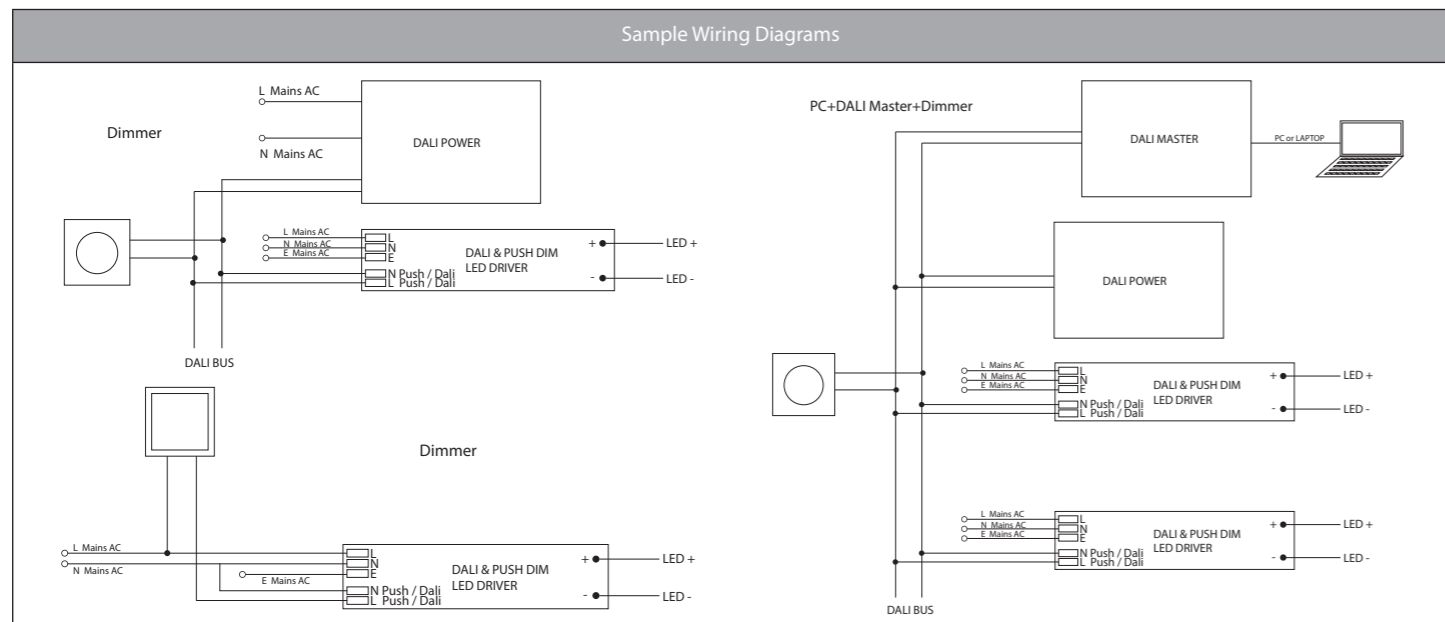
## Product Specifications

Material	Aluminium
Colour	Anodised Grey
IP Rating	IP66
Input Voltage	100 - 240v AC
Output Voltage	Available in either 12v DC or 24v DC
Max Wattage	150w
Recommended Max Wattage	120w
Protection Class	Class 1 (Earth Required)
Dimming Methods	Dali or Push Dim
Dimming Range	5% - 100%
Protections	Short Circuit, Overload, Over Temperature.
Warranty	3 Years Replacement*



## Product Ordering

Part Number	Output Voltage	Barcode
<b>HV96631-12V150W</b>	12v DC Constant Voltage	9350418027580
<b>HV96631-24V150W</b>	24v DC Constant Voltage	9350418027641



\*Items ordered after 01-01-2022

Havit Lighting  
143 Beauchamp Road,  
Matraville, N.S.W. 2036

Phone: 02 9381 8300  
Email: sales@havit.com.au  
Web: www.havit.com.au



Warranty Terms & Conditions



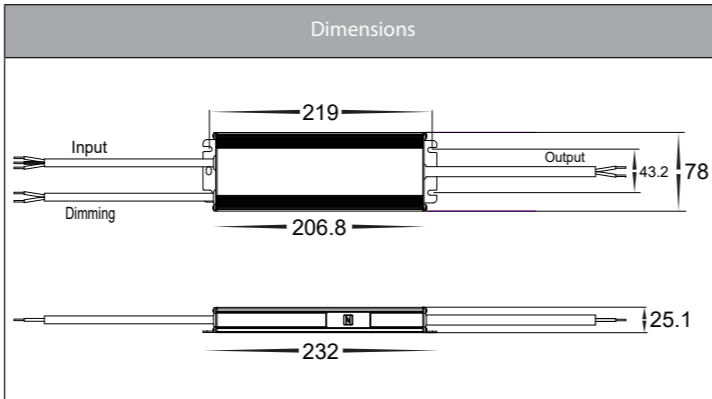
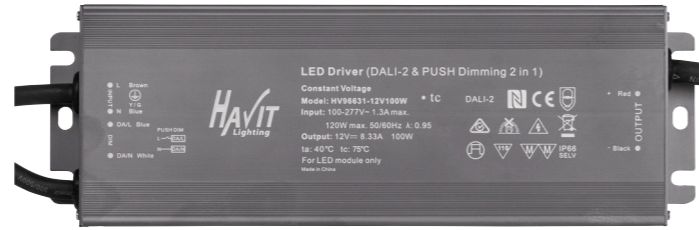
www.havit.com.au

Part Number	HV96631-12V150W	HV96631-24V150W	
<b>Output</b>	DC Voltage	12v DC (12-13.5V Adjust by NFC)	24v DC (24-26V Adjust by NFC)
	Voltage Tolerance	± 0.2V	
	Rated Current	12.5A	6.25A
	Rated Power	150W	
	Load Regulation	± 2%	
<b>Input</b>	Standby Power Consumption	≤ 0.5W	≤ 0.5W
	Voltage Range	100-277V AC	
	Frequency Range	47 - 63Hz	
	Power Factor (TYP.) @ Full Load	PF≥0.98 @ 120V AC   PF≥0.96 @ 230V AC   PF≥ 0.95 @ 277V AC (Full Loading)	
	THD(Typ.) @ Full Load	≤10% @ 120V AC   ≤ 10% @ 230V AC   ≤15% @ 277V AC	
	Efficiency(Typ.)@ Full Load	89% @ 120V AC   91% @ 230V AC   91% @ 277V AC	
	AC Current (Max)	1.65A	1.65A
	Inrush Current (TYP)	38.4A, 510us@50% Ipeak (120V AC)	
		88A, 120us@50% Ipeak (230V AC)	
		48A, 560us@50% Ipeak (277V AC)	
Leakage Current	.05mA		
<b>Protections</b>	Short Circuit	Hiccup mode, Recover automatically after fault condition is removed	
	Overload	≤120%, Hiccup mode, Recover automatically after fault condition is removed	
	Over Temperature	Ambient Temperature Over 55°C ± 10°C, Output will turn off and recovers automatically after temperature drops.	
<b>Environment</b>	Working Temp.	-40°-+60°C	
	Working Humidity	20-90%RH, Non Condensing	
	Storage TEMP. Humidity	-40 - +80°C, 10 - 95% RH	
	TEMP. Coefficient	≤0.03%/°c (0-50°C)	
	Vibration	10-500hZ, 2g 10min./1 Cycle, Period for 60min, each along X,Y,Z axes	
<b>Safety &amp; EMC</b>	Safety Standards	EN61347-1	
	Isolation Resistance	I/P-O/P I/P-FG O/P-FG:100MΩ/500VDC/25°C/70%RH	
	EMC Emission	EN55015   EN61000-3-2 EN61000-3-3 (EU)≥50% Load & FCC Part 15 B (US)	
EMC Immunity	EN61000-4-2,3,4,5,6,11   EN61547		
<b>Others</b>	Weight	0.35Kg	

# 100w Dali + Push Dim Constant Voltage IP66 LED Driver

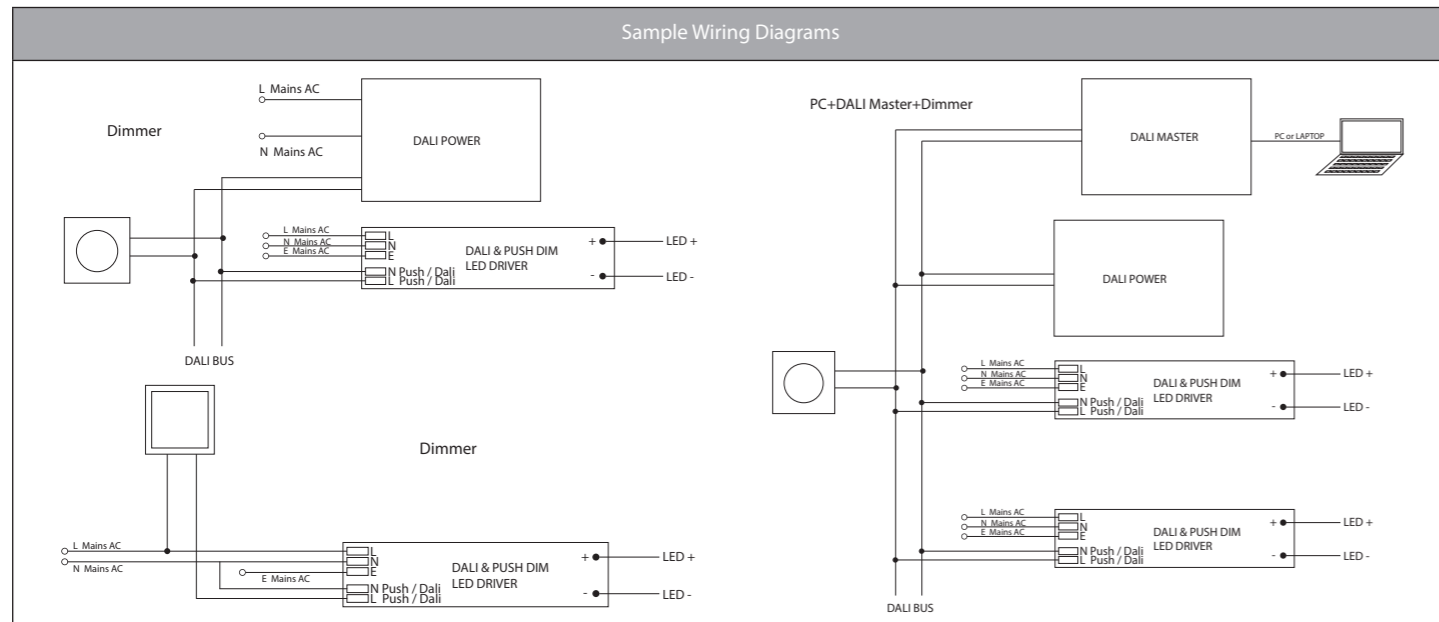
## Product Specifications

Material	Aluminium
Colour	Anodised Grey
IP Rating	IP66
Input Voltage	100 - 240v AC
Output Voltage	Available in either 12v DC or 24v DC
Max Wattage	100w
Recommended Max Wattage	80w
Protection Class	Class 1 (Earth Required)
Dimming Methods	Dali or Push Dim
Dimming Range	5% - 100%
Protections	Short Circuit, Overload, Over Temperature.
Warranty	3 Years Replacement*



## Product Ordering

Part Number	Output Voltage	Barcode
<b>HV96631-12V100W</b>	12v DC Constant Voltage	9350418027573
<b>HV96631-24V100W</b>	24v DC Constant Voltage	9350418027634



\*Items ordered after 01-01-2022

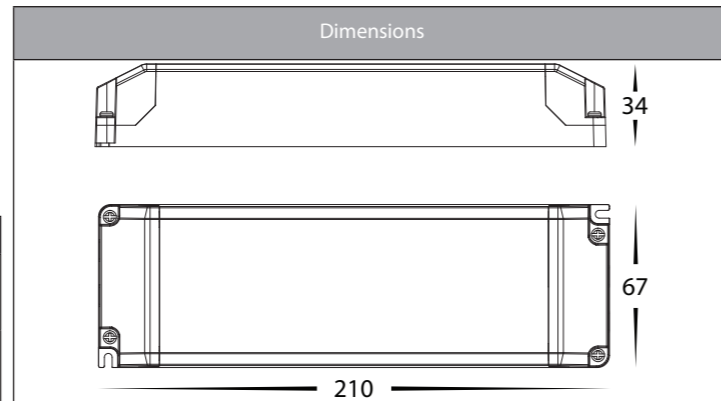
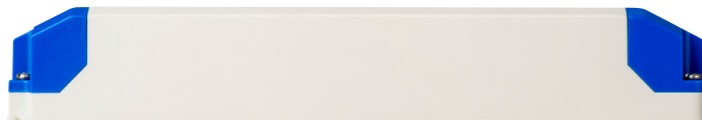
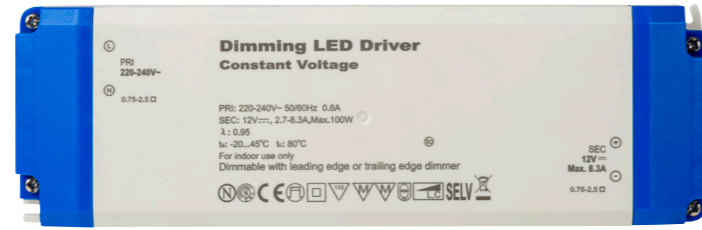


Part Number		HV96631-12V100W	HV96631-24V100W	
Output	DC Voltage	12v DC (12-13.5V Adjust by NFC)	24v DC (24-26V Adjust by NFC)	
	Voltage Tolerance	± 0.2V		
	Rated Current	8.34A	4.17A	
	Rated Power	100W		
	Load Regulation	± 2%		
	Standby Power Consumption	≤ 0.5W	≤ 0.5W	
Input	Voltage Range	100-277V AC		
	Frequency Range	47 - 63Hz		
	Power Factor (TYP.) @ Full Load	PF≥0.98 @ 120V AC   PF≥0.96 @ 230V AC   PF≥ 0.95 @ 277V AC (Full Loading)		
	THD(Typ.) @ Full Load	≤10% @ 120V AC   ≤ 10% @ 230V AC   ≤15% @ 277V AC		
	Efficiency(Typ.)@ Full Load	86% @ 120V AC   89% @ 230V AC   89% @ 277V AC		
	AC Current (Max)	1.3A	1.3A	
	Inrush Current (TYP)	8.4A, 940us@50% Ipeak (120V AC)		
		48.4A, 370us@50% Ipeak (230V AC)		
		21.6A, 960us@50% Ipeak (277V AC)		
	Leakage Current	.05mA		
Protections	Short Circuit	Hiccup mode, Recover automatically after fault condition is removed		
	Overload	≤120%, Hiccup mode, Recover automatically after fault condition is removed		
	Over Temperature	Ambient Temperature Over 55°C ± 10°C, Output will turn off and recovers automatically after temperature drops.		
Environment	Working Temp.	-40°-+60°C		
	Working Humidity	20-90%RH, Non Condensing		
	Storage TEMP. Humidity	-40 - +80°C, 10 - 95% RH		
	TEMP. Coefficient	≤0.03%/°c (0-50°C)		
	Vibration	10-500hZ, 2g 10min./1 Cycle, Period for 60min, each along X,Y,Z axes		
Safety & EMC	Safety Standards	EN61347-1		
	Isolation Resistance	I/P-O/P I/P-FG O/P-FG:100MΩ/500VDC/25°C/70%RH		
	EMC Emission	EN55015   EN61000-3-2 EN61000-3-3 (EU)≥50% Load & FCC Part 15 B (US)		
Others	EMC Immunity	EN61000-4-2,3,4,5,6,11   EN61547		
	Weight	0.35Kg		

# 100w Triac Dimmable Constant Voltage IP20 LED Driver

## Product Specifications

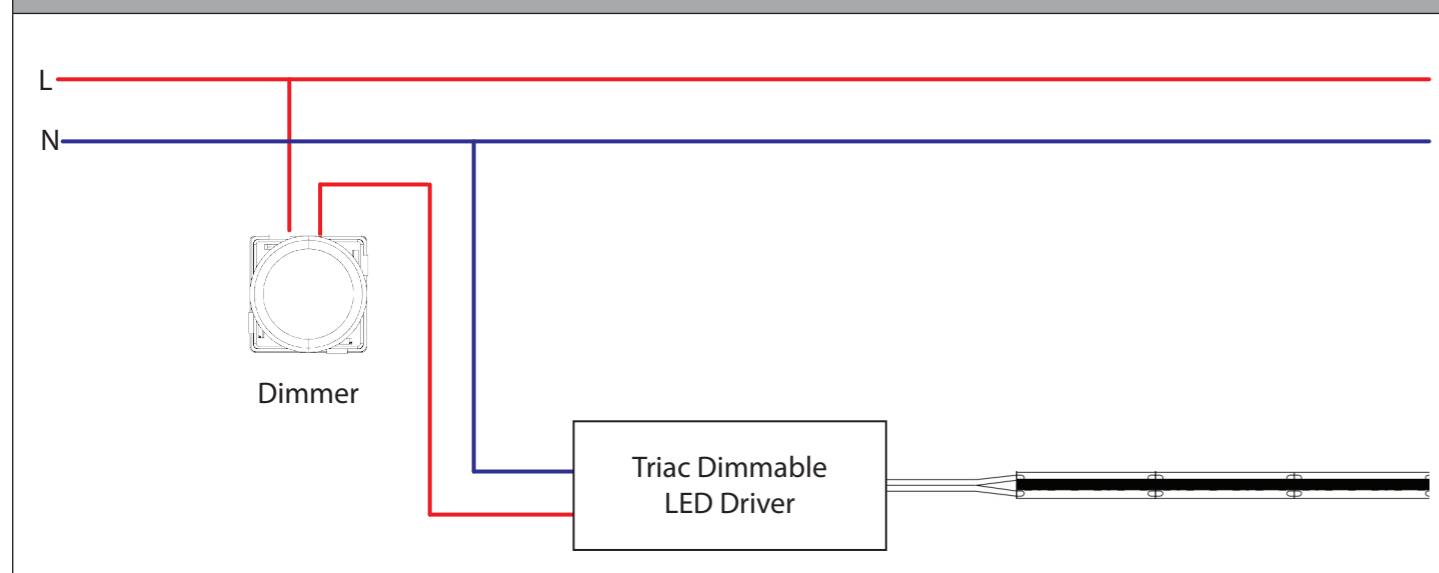
Material	Plastic
Colour	White + Blue
IP Rating	IP20
Input Voltage	220 - 240v AC
Output Voltage	Available in either 12v DC or 24v DC
Max Wattage	100w
Recommended Max Wattage	80w
Protection Class	Class 2 (No Earth Required)
Dimming Methods	Triac
Dimming Range	5% - 100%
Protections	Short Circuit, Overload, Over Temperature.
Warranty	3 Years Replacement*



## Product Ordering

Part Number	Output Voltage	Barcode
<b>HV9668-12V100W</b>	12v DC Constant Voltage	9350418027931
<b>HV9668-24V100W</b>	24v DC Constant Voltage	9350418027948

## Sample Wiring Diagrams



Part Number	HV9668-12V100W	HV9668-24V100W	
<b>Output</b>	DC Voltage	12v DC	24v DC
	Voltage Tolerance	± 0.2V	
	Rated Current	8.34A	4.17A
	Rated Power	100W	
	Load Regulation	± 2%	
<b>Input</b>	Standby Power Consumption	≤ 0.5W	≤ 0.5W
	Voltage Range	220 - 240V AC	
	Frequency Range	47 - 63Hz	
	Power Factor (TYP.) @ Full Load	PF≥0.96 @ 230V AC	
	THD(Typ.) @ Full Load	≤ 10% @ 230V AC	
	Efficiency(Typ.)@ Full Load	89% @ 230V AC	
	AC Current (Max)	1.3A	1.3A
	Inrush Current (TYP)	48.4A, 370us@50% Ipeak (230V AC)	
	Leakage Current	.05mA	
	<b>Protections</b>	Short Circuit	Hiccup mode, Recover automatically after fault condition is removed
Overload		≤120%, Hiccup mode, Recover automatically after fault condition is removed	
Over Temperature		Ambient Temperature Over 55°C ± 10°C, Output will turn off and recovers automatically after temperature drops.	
<b>Environment</b>	Working Temp.	-40°-+60°C	
	Working Humidity	20-90%RH, Non Condensing	
	Storage TEMP. Humidity	-40 - +80°C, 10 - 95% RH	
	TEMP. Coefficient	≤0.03%/°c (0-50°c)	
	Vibration	10-500hZ, 2g 10min./1 Cycle, Period for 60min, each along X,Y,Z axes	
<b>Safety &amp; EMC</b>	Safety Standards	EN61347-1	
	Isolation Resistance	I/P-O/P I/P-FG O/P-FG:100MΩ/500VDC/25°C/70%RH	
	EMC Emission	EN55015   EN61000-3-2 EN61000-3-3 (EU)≥50% Load & FCC Part 15 B (US)	
	EMC Immunity	EN61000-4-2,3,4,5,6,11   EN61547	
<b>Others</b>	Weight	360g	

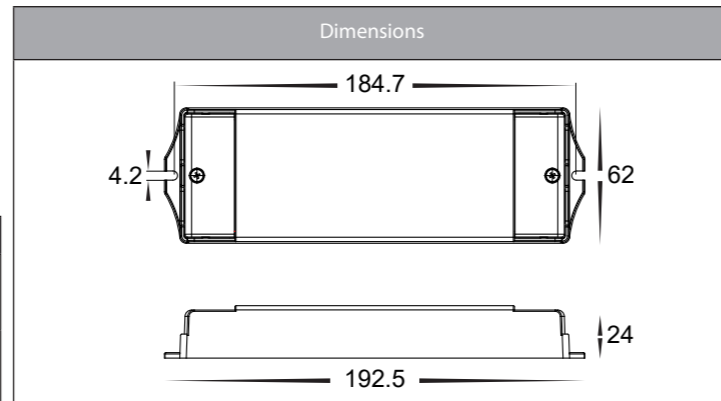
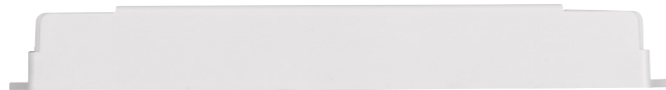
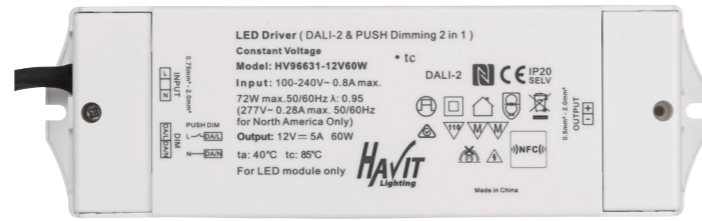
\*Items ordered after 01-01-2022



# 60w Dali + Push Dim Constant Voltage IP20 LED Driver

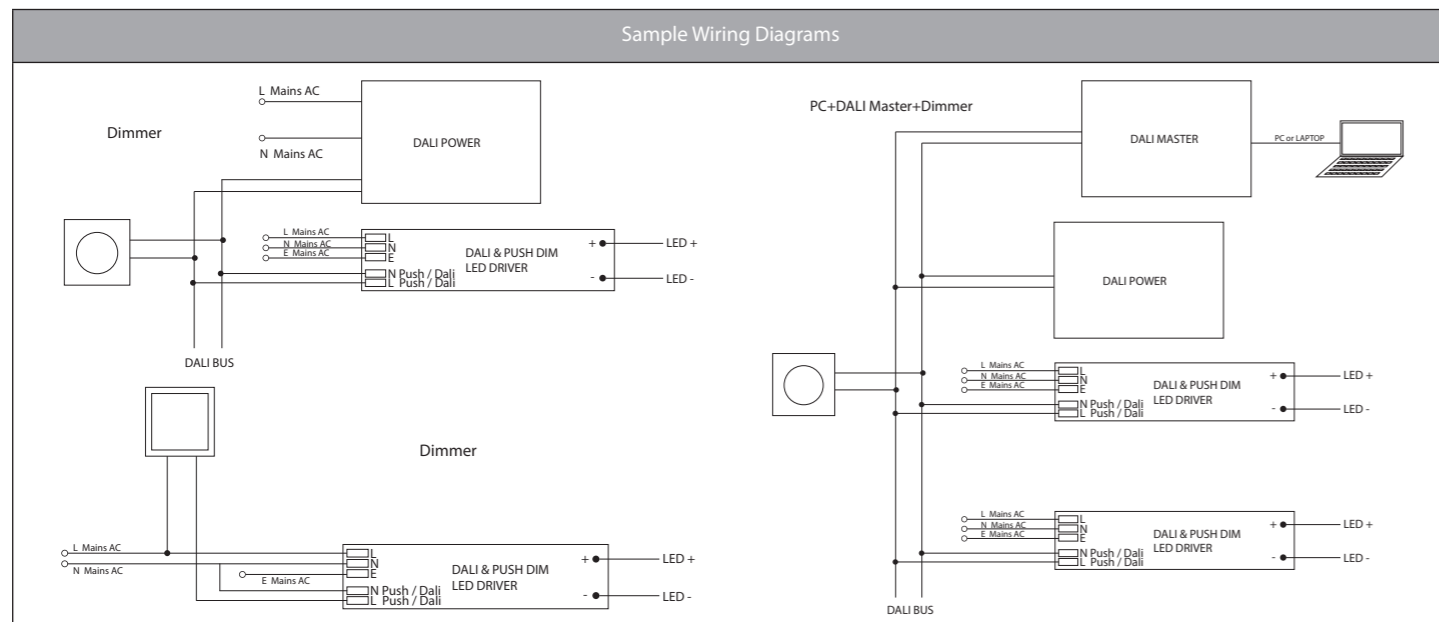
## Product Specifications

Material	Plastic
Colour	White
IP Rating	IP20
Input Voltage	100 - 240v AC
Output Voltage	Available in either 12v DC or 24v DC
Max Wattage	60w
Recommended Max Wattage	48w
Protection Class	Class 2 (No Earth Required)
Dimming Methods	Dali or Push Dim
Dimming Range	5% - 100%
Protections	Short Circuit, Overload, Over Temperature.
Warranty	3 Years Replacement*



## Product Ordering

Part Number	Output Voltage	Barcode
<b>HV96631-12V60W</b>	12v DC Constant Voltage	9350418027566
<b>HV96631-24V60W</b>	24v DC Constant Voltage	9350418027627



\*Items ordered after 01-01-2022



Warranty Terms & Conditions



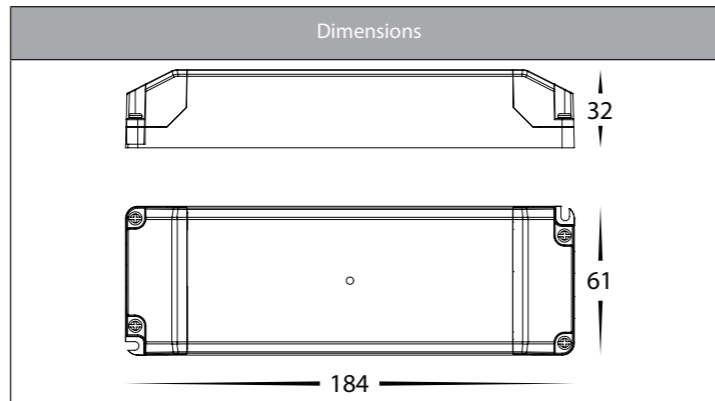
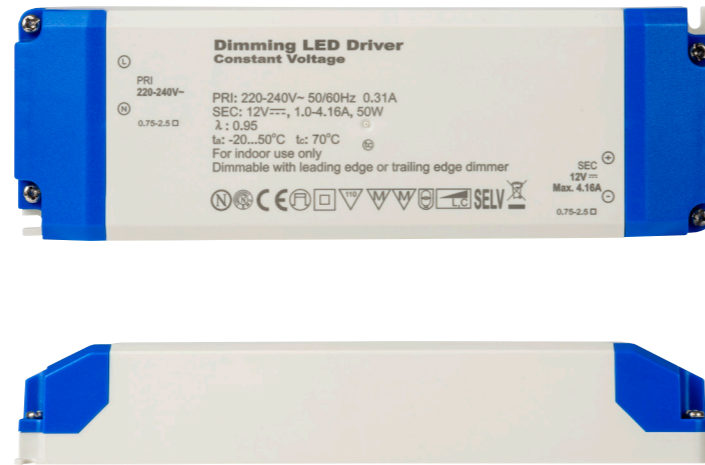
www.havit.com.au

Part Number	HV96631-12V60W	HV96631-24V60W	
<b>Output</b>	DC Voltage	12v DC (12-13.5V Adjust by NFC)	24v DC (24-26V Adjust by NFC)
	Voltage Tolerance	± 0.2V	
	Rated Current	5A	2.5A
	Rated Power	60W	
	Load Regulation	± 1%	
<b>Input</b>	Standby Power Consumption	≤ 0.5W	≤ 0.5W
	Voltage Range	100 277V AC	
	Frequency Range	47 - 63Hz	
	Power Factor (TYP.) @ Full Load	PF≥0.98 @ 120V AC   PF≥0.95 @ 230V AC   PF≥ 0.90 @ 277V AC (Full Loading)	
	THD(Typ.) @ Full Load	≤15% @ 120V AC   ≤ 15% @ 230V AC   ≤15% @ 277V AC	
	Efficiency(Typ.)@ Full Load	86% @ 120V AC   88% @ 230V AC   88% @ 277V AC	
	AC Current (Max)	0.8A	0.8A
	Inrush Current (TYP)	20A, 220us@50% Ipeak (120V AC)	
		45A, 175us@50% Ipeak (230V AC)	
		180A, 302us@50% Ipeak (277V AC)	
Leakage Current	.05mA		
<b>Protections</b>	Short Circuit	Hiccup mode, Recover automatically after fault condition is removed	
	Overload	≤120%, Hiccup mode, Recover automatically after fault condition is removed	
	Over Temperature	Ambient Temperature Over 55°C ± 10°C, Output will turn off and recovers automatically after temperature drops.	
<b>Environment</b>	Working Temp.	-40°-+60°C	
	Working Humidity	20-90%RH, Non Condensing	
	Storage TEMP. Humidity	-40 - +80°C, 10 - 95% RH	
	TEMP. Coefficient	≤0.03%/°c (0-50°C)	
	Vibration	10-500hZ, 2g 10min./1 Cycle, Period for 60min, each along X,Y,Z axes	
<b>Safety &amp; EMC</b>	Safety Standards	EN61347-1	
	Isolation Resistance	I/P-O/P I/P-FG O/P-FG:100MΩ/500VDC/25°C/70%RH	
	EMC Emission	EN55015   EN61000-3-2 EN61000-3-3 (EU)≥50% Load & FCC Part 15 B (US)	
	EMC Immunity	EN61000-4-2,3,4,5,6,11   EN61547	
<b>Others</b>	Weight	0.35Kg	

# 50w Triac Dimmable Constant Voltage IP20 LED Driver

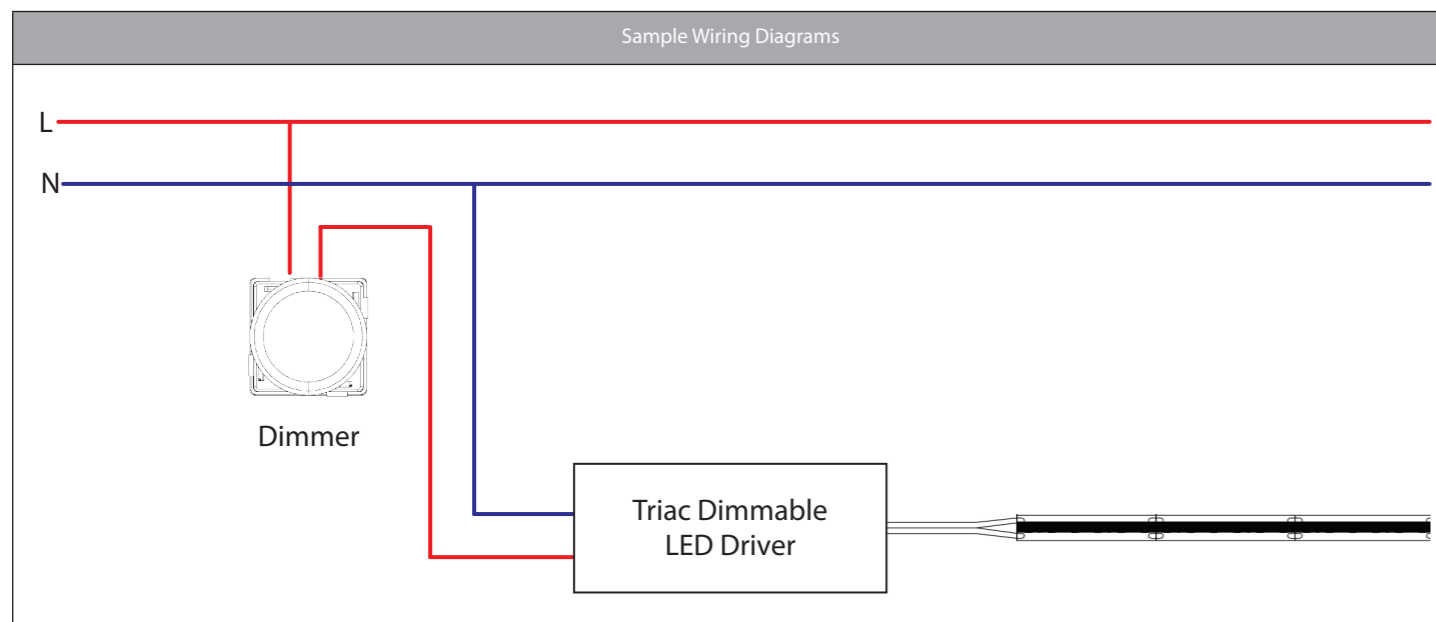
## Product Specifications

Material	Plastic
Colour	White + Blue
IP Rating	IP20
Input Voltage	100 - 240v AC
Output Voltage	Available in either 12v DC or 24v DC
Max Wattage	50w
Recommended Max Wattage	40w
Protection Class	Class 2 (No Earth Required)
Dimming Methods	Triac
Dimming Range	5% - 100%
Protections	Short Circuit, Overload, Over Temperature.
Warranty	3 Years Replacement*



## Product Ordering

Part Number	Output Voltage	Barcode
<b>HV9668-12V50W</b>	12v DC Constant Voltage	9350418027917
<b>HV9668-24V50W</b>	24v DC Constant Voltage	9350418027924



\*Items ordered after 01-01-2022

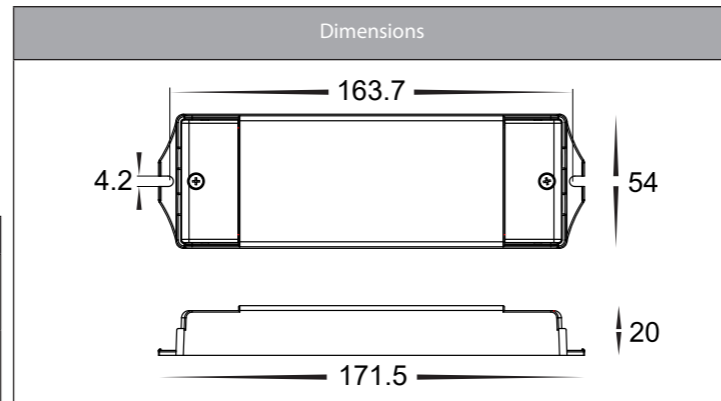
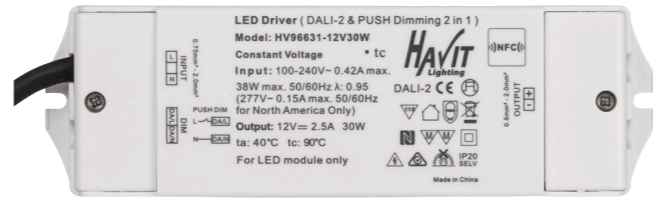


Part Number		HV9668-12V50W	HV9668-24V50W
Output	DC Voltage	12v DC	24v DC
	Voltage Tolerance	± 0.2V	
	Rated Current	4.16A	2.08A
	Rated Power	50W	
	Load Regulation	± 1%	
Input	Standby Power Consumption	≤ 0.5W	≤ 0.5W
	Voltage Range	220 - 240V AC	
	Frequency Range	47 - 63Hz	
	Power Factor (TYP.) @ Full Load	PF≥0.95 @ 230V AC	
	THD(Typ.) @ Full Load	≤ 15% @ 230V AC	
	Efficiency(Typ.)@ Full Load	88% @ 230V AC	
	AC Current (Max)	0.8A	0.8A
	Inrush Current (TYP)	45A, 175us@50% Ipeak (230V AC)	
	Leakage Current	.05mA	
	Protections	Short Circuit	Hiccup mode, Recover automatically after fault condition is removed
Overload		≤120%, Hiccup mode, Recover automatically after fault condition is removed	
Over Temperature		Ambient Temperature Over 55°C ± 10°C, Output will turn off and recovers automatically after temperature drops.	
Environment	Working Temp.	-40°-+60°C	
	Working Humidity	20-90%RH, Non Condensing	
	Storage TEMP. Humidity	-40 - +80°C, 10 - 95% RH	
	TEMP. Coefficient	≤0.03%/°c (0-50°c)	
	Vibration	10-500hZ, 2g 10min./1 Cycle, Period for 60min, each along X,Y,Z axes	
Safety & EMC	Safety Standards	EN61347-1	
	Isolation Resistance	I/P-O/P I/P-FG O/P-FG:100MΩ/500VDC/25°C/70%RH	
	EMC Emission	EN55015   EN61000-3-2 EN61000-3-3 (EU)≥50% Load & FCC Part 15 B (US)	
	EMC Immunity	EN61000-4-2,3,4,5,6,11   EN61547	
Others	Weight	240g	

# 30w Dali + Push Dim Constant Voltage IP20 LED Driver

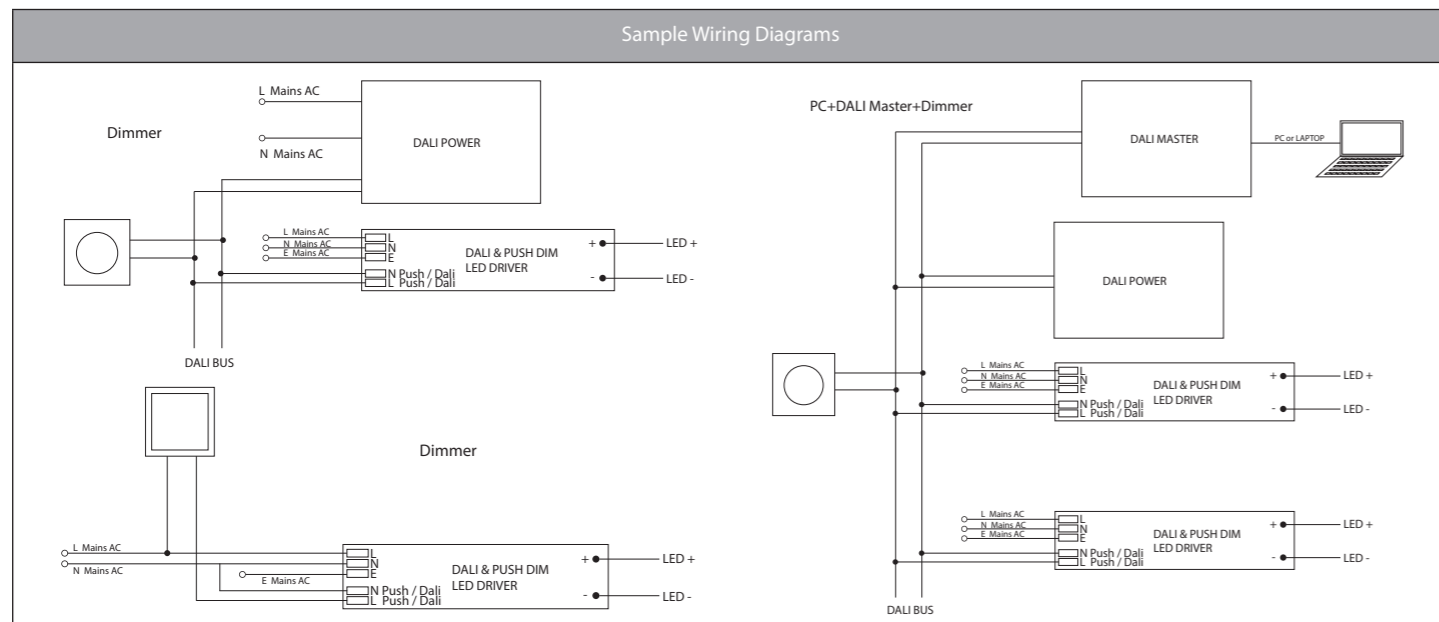
## Product Specifications

Material	Plastic
Colour	White
IP Rating	IP20
Input Voltage	100 - 240v AC
Output Voltage	Available in either 12v DC or 24v DC
Max Wattage	30w
Recommended Max Wattage	24w
Protection Class	Class 2 (No Earth Required)
Dimming Methods	Dali or Push Dim
Dimming Range	5% - 100%
Protections	Short Circuit, Overload, Over Temperature.
Warranty	3 Years Replacement*



## Product Ordering

Part Number	Output Voltage	Barcode
<b>HV96631-12V30W</b>	12v DC Constant Voltage	9350418027559
<b>HV96631-24V30W</b>	24v DC Constant Voltage	9350418027610



\*Items ordered after 01-01-2022



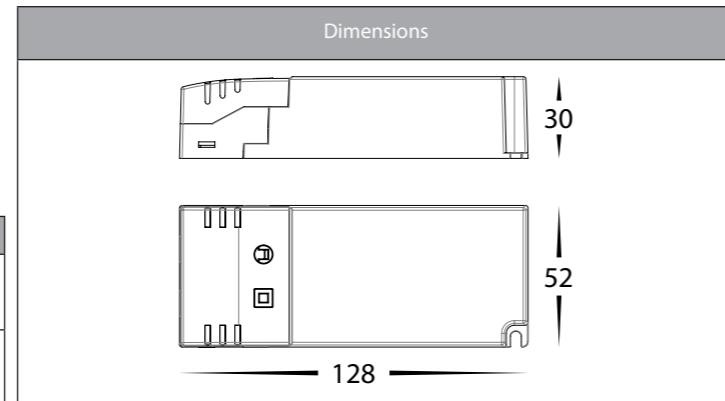
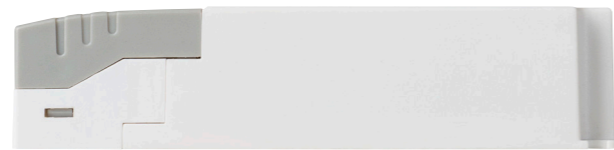
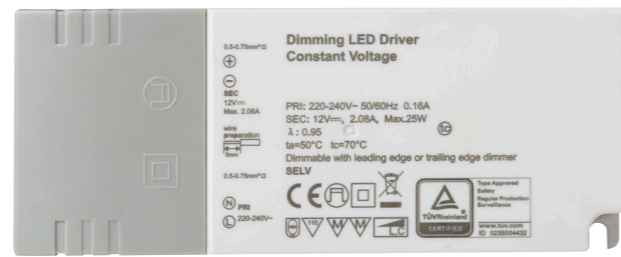
Part Number	HV96631-12V30W	HV96631-24V30W	
<b>Output</b>	DC Voltage	12v DC (12-13.5V Adjust by NFC)	24v DC (24-26V Adjust by NFC)
	Voltage Tolerance	± 0.2V	
	Rated Current	2.5A	1.25A
	Rated Power	30W	
	Load Regulation	± 1%	
<b>Input</b>	Standby Power Consumption	≤ 0.5W	≤ 0.5W
	Voltage Range	100 277V AC	
	Frequency Range	47 - 63Hz	
	Power Factor (TYP.) @ Full Load	PF≥0.98 @ 120V AC   PF≥0.95 @ 230V AC   PF≥ 0.90 @ 277V AC (Full Loading)	
	THD(Typ.) @ Full Load	≤15% @ 120V AC   ≤ 15% @ 230V AC   ≤15% @ 277V AC	
	Efficiency(Typ.)@ Full Load	81% @ 120V AC   83% @ 230V AC   80% @ 277V AC	
	AC Current (Max)	0.4A	0.4A
	Inrush Current (TYP)	60A, 9us@50% Ipeak (120V AC)	
		70A, 188us@50% Ipeak (230V AC)	
		180A, 4.4us@50% Ipeak (277V AC)	
Leakage Current	.05mA		
<b>Protections</b>	Short Circuit	Hiccup mode, Recover automatically after fault condition is removed	
	Overload	≤120%, Hiccup mode, Recover automatically after fault condition is removed	
	Over Temperature	Ambient Temperature Over 55°C ± 10°C, Output will turn off and recovers automatically after temperature drops.	
<b>Environment</b>	Working Temp.	-40°-+60°C	
	Working Humidity	20-90%RH, Non Condensing	
	Storage TEMP. Humidity	-40 - +80°C, 10 - 95% RH	
	TEMP. Coefficient	≤0.03%/°c (0-50°C)	
	Vibration	10-500hZ, 2g 10min./1 Cycle, Period for 60min, each along X,Y,Z axes	
<b>Safety &amp; EMC</b>	Safety Standards	EN61347-1	
	Isolation Resistance	I/P-O/P I/P-FG O/P-FG:100MΩ/500VDC/25°C/70%RH	
	EMC Emission	EN55015   EN61000-3-2 EN61000-3-3 (EU)≥50% Load & FCC Part 15 B (US)	
	EMC Immunity	EN61000-4-2,3,4,5,6,11   EN61547	
<b>Others</b>	Weight	0.25Kg	



# 25w Triac Dimmable Constant Voltage IP20 LED Driver

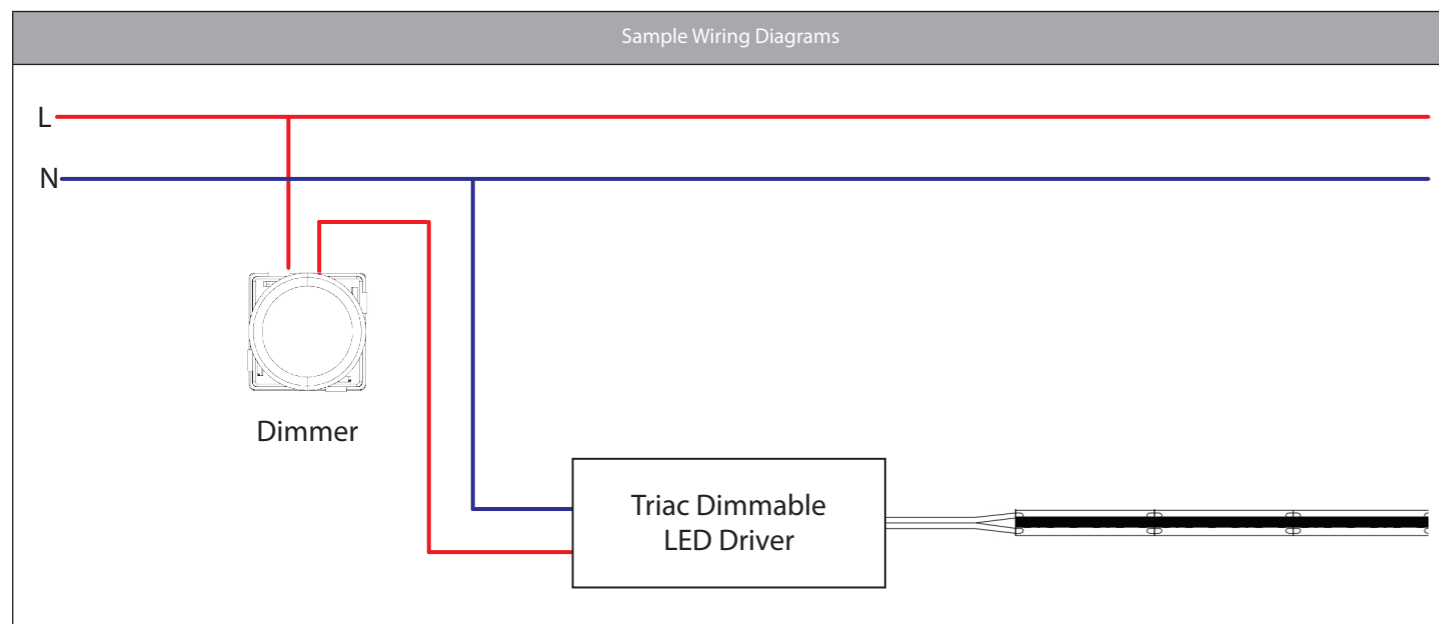
## Product Specifications

Material	Plastic
Colour	White
IP Rating	IP20
Input Voltage	220 - 240v AC
Output Voltage	Available in either 12v DC or 24v DC
Max Wattage	25w
Recommended Max Wattage	20w
Protection Class	Class 2 (No Earth Required)
Dimming Methods	Triac
Dimming Range	5% - 100%
Protections	Short Circuit, Overload, Over Temperature.
Warranty	3 Years Replacement*



## Product Ordering

Part Number	Output Voltage	Barcode
<b>HV9668-12V25W</b>	12v DC Constant Voltage	9350418027894
<b>HV9668-24V25W</b>	24v DC Constant Voltage	9350418027900



Part Number	HV9668-12V25W	HV9668-24V25W	
<b>Output</b>	DC Voltage	12v DC	24v DC
	Voltage Tolerance	± 0.2V	
	Rated Current	2.08A	1.04A
	Rated Power	25W	
	Load Regulation	± 1%	
<b>Input</b>	Standby Power Consumption	≤ 0.5W	≤ 0.5W
	Voltage Range	220 - 240V AC	
	Frequency Range	47 - 63Hz	
	Power Factor (TYP.) @ Full Load	PF≥0.95 @ 230V AC	
	THD(Typ.) @ Full Load	≤ 15% @ 230V AC	
	Efficiency(Typ.)@ Full Load	83% @ 230V AC	
	AC Current (Max)	0.4A	0.4A
	Inrush Current (TYP)	70A, 188us@50% Ipeak (230V AC)	
	Leakage Current	.05mA	
	<b>Protections</b>	Short Circuit	Hiccup mode, Recover automatically after fault condition is removed
Overload		≤120%, Hiccup mode, Recover automatically after fault condition is removed	
Over Temperature		Ambient Temperature Over 55°C ± 10°C, Output will turn off and recovers automatically after temperature drops.	
<b>Environment</b>	Working Temp.	-40°-+60°C	
	Working Humidity	20-90%RH, Non Condensing	
	Storage TEMP. Humidity	-40 - +80°C, 10 - 95% RH	
	TEMP. Coefficient	≤0.03%/°c (0-50°c)	
	Vibration	10-500hZ, 2g 10min./1 Cycle, Period for 60min, each along X,Y,Z axes	
<b>Safety &amp; EMC</b>	Safety Standards	EN61347-1	
	Isolation Resistance	I/P-O/P I/P-FG O/P-FG:100MΩ/500VDC/25°C/70%RH	
	EMC Emission	EN55015   EN61000-3-2 EN61000-3-3 (EU)≥50% Load & FCC Part 15 B (US)	
	EMC Immunity	EN61000-4-2,3,4,5,6,11   EN61547	
<b>Others</b>	Weight	110g	

\*Items ordered after 01-01-2022

