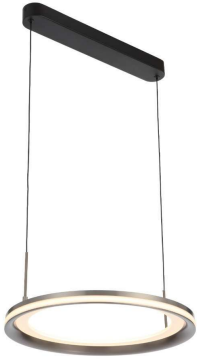


Last modification 2024-04-10

## FULCRUM PE40-GY 9329501071427



The Fulcrum family of pendant and oyster fittings presents a sleek and contemporary design, featuring integrated LED technology for energy efficiency and optimal illumination. Available in various sizes, these fixtures offer versatility to suit different spaces and preferences, providing both functionality and aesthetic appeal in modern interior settings.

### Overview

|                                  |                 |
|----------------------------------|-----------------|
| <b>Family name</b>               | Fulcrum         |
| <b>Categories</b>                | Pendants        |
| <b>Mounting</b>                  | Surface         |
| <b>Suspension Type</b>           | Cable           |
| <b>Usage</b>                     | Indoor Lighting |
| <b>ERAC Product Registration</b> | SAA-231005-EA   |

### Color / Material

|                         |                         |
|-------------------------|-------------------------|
| <b>Fixture Color</b>    | Pearl Grey              |
| <b>Fixture Finish</b>   | Satin                   |
| <b>Fixture Material</b> | Aluminium, PVC, Acrylic |

### Size

|                               |       |
|-------------------------------|-------|
| <b>Fixture Diameter (cm)</b>  | 40.0  |
| <b>Fixture Height (cm)</b>    | 2.7   |
| <b>Canopy Length (cm)</b>     | 6.0   |
| <b>Canopy Projection (cm)</b> | 3.5   |
| <b>Canopy Width (cm)</b>      | 42.5  |
| <b>Suspension Length (cm)</b> | 200.0 |
| <b>Height Adjustable?</b>     | Yes   |

### Specification

|                                      |                    |
|--------------------------------------|--------------------|
| <b>Total Wattage (max)</b>           | 40                 |
| <b>Globe Type</b>                    | LED integrated SMD |
| <b>Globe / Light Source included</b> | Yes                |
| <b>Lumens</b>                        | 1710               |
| <b>Color Temperature</b>             | Warm White         |

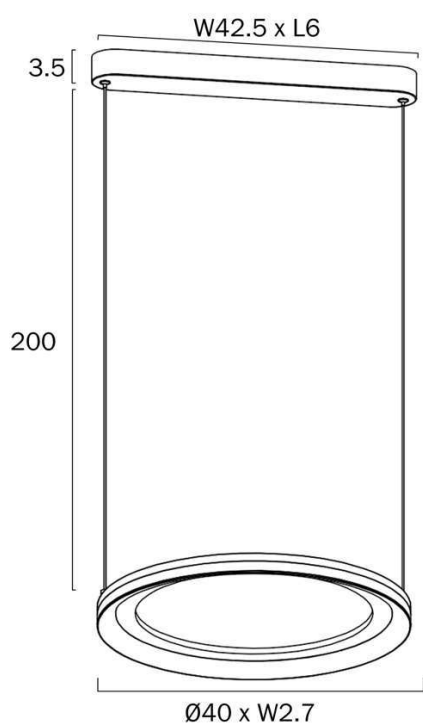
All representations within this document are subject to copyright. ELECTRICAL INSTALLATIONS MUST BE PERFORMED BY A QUALIFIED ELECTRICAL CONTRACTOR AND INSTALLED IN ACCORDANCE WITH AS/NZS 3000.  
NOTE : All images , descriptions and dimensions are indicative. Please check latest version of item detail on Telbix website prior to ordering or installation.

|                              |  |
|------------------------------|--|
| <b>Color Kelvin</b>          | 3000k  |
| <b>Dimmable</b>              | Yes - TRIAC  |
| <b>Electrical Protection</b> | CLASS III - LOW VOLTAGE, <54v                                  |
| <b>IP rating</b>             | IP20   |
| <b>Lead and Plug</b>         | No   |
| <b>Approvals</b>             | RCM  |
| <b>Installation Required</b> | Yes (by Licensed Electrician only)                             |
| <b>Care Instructions</b>     | Do not use strong liquid cleaners, Wipe clean with a dry cloth |
| <b>Replacement Warranty</b>  | *3 Years   |

## Barcode

**GTIN** 9329501071427

## Image -dimensions



Note: Dimensions are only a guide and may vary due to manufacturing variations.

Last modification 2024-04-10

## FULCRUM PE60-GY 9329501071434



The Fulcrum family of pendant and oyster fittings presents a sleek and contemporary design, featuring integrated LED technology for energy efficiency and optimal illumination. Available in various sizes, these fixtures offer versatility to suit different spaces and preferences, providing both functionality and aesthetic appeal in modern interior settings.

### Overview

|                                  |                 |
|----------------------------------|-----------------|
| <b>Family name</b>               | Fulcrum         |
| <b>Categories</b>                | Pendants        |
| <b>Mounting</b>                  | Surface         |
| <b>Suspension Type</b>           | Cable           |
| <b>Usage</b>                     | Indoor Lighting |
| <b>ERAC Product Registration</b> | SAA-231005-EA   |

### Color / Material

|                         |                         |
|-------------------------|-------------------------|
| <b>Fixture Color</b>    | Pearl Grey              |
| <b>Fixture Finish</b>   | Satin                   |
| <b>Fixture Material</b> | Aluminium, PVC, Acrylic |

### Size

|                               |       |
|-------------------------------|-------|
| <b>Fixture Diameter (cm)</b>  | 62.5  |
| <b>Fixture Height (cm)</b>    | 2.7   |
| <b>Canopy Length (cm)</b>     | 6.0   |
| <b>Canopy Projection (cm)</b> | 3.5   |
| <b>Canopy Width (cm)</b>      | 62.5  |
| <b>Suspension Length (cm)</b> | 200.0 |
| <b>Height Adjustable?</b>     | Yes   |

### Specification

|                                      |                    |
|--------------------------------------|--------------------|
| <b>Total Wattage (max)</b>           | 60                 |
| <b>Globe Type</b>                    | LED integrated SMD |
| <b>Globe / Light Source included</b> | Yes                |
| <b>Lumens</b>                        | 2570               |
| <b>Color Temperature</b>             | Warm White         |

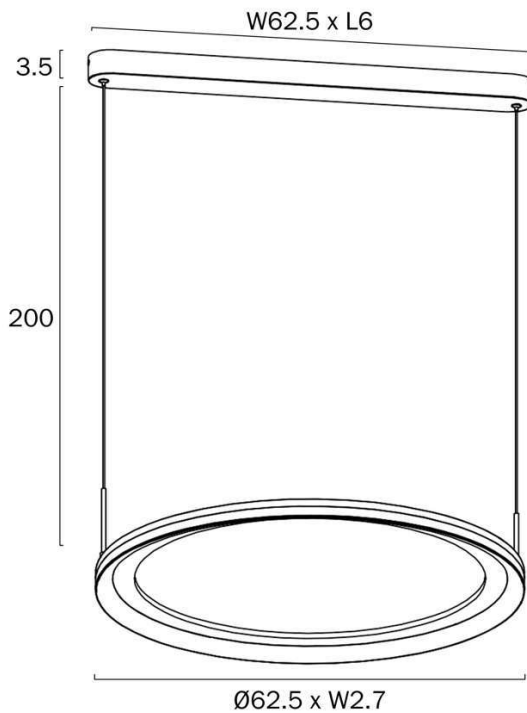
All representations within this document are subject to copyright. ELECTRICAL INSTALLATIONS MUST BE PERFORMED BY A QUALIFIED ELECTRICAL CONTRACTOR AND INSTALLED IN ACCORDANCE WITH AS/NZS 3000.  
NOTE : All images , descriptions and dimensions are indicative. Please check latest version of item detail on Telbix website prior to ordering or installation.

|                              |  |
|------------------------------|--|
| <b>Color Kelvin</b>          | 3000k  |
| <b>Dimmable</b>              | Yes - TRIAC  |
| <b>Electrical Protection</b> | CLASS III - LOW VOLTAGE, <54v                                  |
| <b>IP rating</b>             | IP20   |
| <b>Lead and Plug</b>         | No   |
| <b>Approvals</b>             | RCM  |
| <b>Installation Required</b> | Yes (by Licensed Electrician only)                             |
| <b>Care Instructions</b>     | Do not use strong liquid cleaners, Wipe clean with a dry cloth |
| <b>Replacement Warranty</b>  | *3 Years   |

## Barcode

**GTIN** 9329501071434

## Image -dimensions



Note: Dimensions are only a guide and may vary due to manufacturing variations.