

Last modification 2024-04-09

**ELDRA TL-NK**  
**9329501066331**



The Eldra table lamp combines the best of contemporary design trends with its on-trend metallic finish and a clear bubble shade. This chic and modern lamp not only enhances your decor with its stylish appearance but also provides a captivating lighting effect. With its IP43 cordless and water-resistant design, it seamlessly transitions between indoor and outdoor settings, making it a versatile and fashionable addition to your lighting collection.

## Overview

<b>Family name</b>	Eldra
<b>Categories</b>	Table Lamps
<b>Switch</b>	Yes - 3 way Touch Switch
<b>Usage</b>	Indoor Lighting, Outdoor Lighting

## Color / Material

<b>Fixture Color</b>	Nickel
<b>Fixture Finish</b>	Gloss
<b>Fixture Material</b>	Aluminium, Acrylic
<b>Diffuser Color</b>	Frost
<b>Cable Color</b>	White
<b>Cable Material</b>	PVC

## Size

<b>Fixture Diameter (cm)</b>	9.0
<b>Fixture Height (cm)</b>	18.0
<b>Cable Length (cm)</b>	100

## Specification

<b>Voltage Input</b>	240V
<b>Total Wattage (max)</b>	3
<b>Globe Type</b>	LED integrated SMD
<b>Globe / Light Source qty</b>	1
<b>Globe / Light Source included</b>	Yes
<b>Lumens</b>	300
<b>Color Temperature</b>	Warm White; Natural White; Cool White

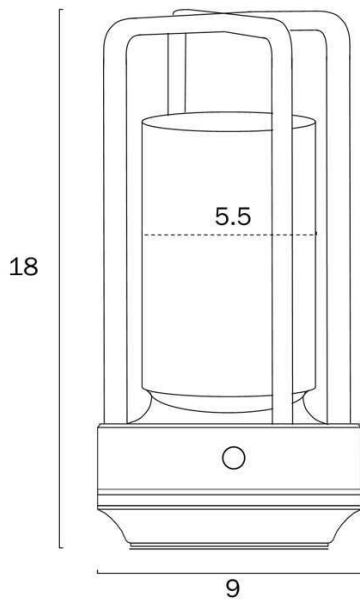
All representations within this document are subject to copyright. ELECTRICAL INSTALLATIONS MUST BE PERFORMED BY A QUALIFIED ELECTRICAL CONTRACTOR AND INSTALLED IN ACCORDANCE WITH AS/NZS 3000.  
NOTE : All images , descriptions and dimensions are indicative. Please check latest version of item detail on Telbix website prior to ordering or installation.

<b>Color Kelvin</b>	3 CCT (3000k - 4000k - 5000k)
<b>Battery Capacity (mA)</b>	2x2000 (6-24 hour capacity)
<b>Dimmable</b>	Touch
<b>Electrical Protection</b>	CLASS III - LOW VOLTAGE, <54v
<b>IP rating</b>	IP43
<b>USB Port</b>	Yes
<b>Approvals</b>	RCM
<b>Assembly Required</b>	No
<b>Box Contents</b>	Instruction
<b>Care Instructions</b>	Do not use strong liquid cleaners, Wipe clean with a dry cloth
<b>Replacement Warranty</b>	*2 Years

## Barcode

**GTIN** 9329501066331

## Image -dimensions



Note: Dimensions are only a guide and may vary due to manufacturing variations.

Last modification 2024-04-09

**ELDRA TL-GM**  
**9329501066348**



The Eldra table lamp combines the best of contemporary design trends with its on-trend metallic finish and a clear bubble shade. This chic and modern lamp not only enhances your decor with its stylish appearance but also provides a captivating lighting effect. With its IP43 cordless and water-resistant design, it seamlessly transitions between indoor and outdoor settings, making it a versatile and fashionable addition to your lighting collection.

## Overview

<b>Family name</b>	Eldra
<b>Categories</b>	Table Lamps
<b>Switch</b>	Yes - 3 way Touch Switch
<b>Usage</b>	Indoor Lighting, Outdoor Lighting

## Color / Material

<b>Fixture Color</b>	Gun Metal
<b>Fixture Finish</b>	Gloss
<b>Fixture Material</b>	Aluminium, Acrylic
<b>Diffuser Color</b>	Frost
<b>Cable Color</b>	White
<b>Cable Material</b>	PVC

## Size

<b>Fixture Diameter (cm)</b>	9.0
<b>Fixture Height (cm)</b>	18.0
<b>Cable Length (cm)</b>	100

## Specification

<b>Voltage Input</b>	240V
<b>Total Wattage (max)</b>	3
<b>Globe Type</b>	LED integrated SMD
<b>Globe / Light Source qty</b>	1
<b>Globe / Light Source included</b>	Yes
<b>Lumens</b>	300
<b>Color Temperature</b>	Warm White; Natural White; Cool White

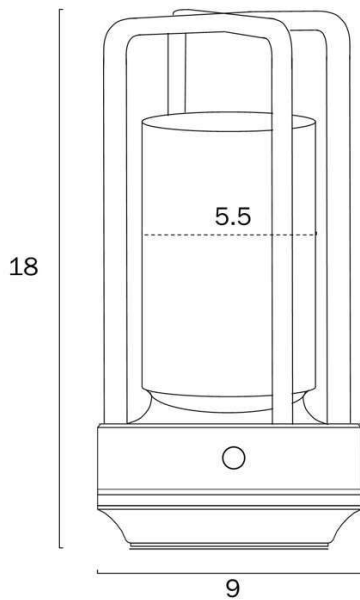
All representations within this document are subject to copyright. ELECTRICAL INSTALLATIONS MUST BE PERFORMED BY A QUALIFIED ELECTRICAL CONTRACTOR AND INSTALLED IN ACCORDANCE WITH AS/NZS 3000.  
NOTE : All images , descriptions and dimensions are indicative. Please check latest version of item detail on Telbix website prior to ordering or installation.

<b>Color Kelvin</b>	3 CCT (3000k - 4000k - 5000k)
<b>Battery Capacity (mA)</b>	2x2000 (6-24 hour capacity)
<b>Dimmable</b>	Touch
<b>Electrical Protection</b>	CLASS III - LOW VOLTAGE, <54v
<b>IP rating</b>	IP43
<b>USB Port</b>	Yes
<b>Approvals</b>	RCM
<b>Assembly Required</b>	No
<b>Box Contents</b>	Instruction
<b>Care Instructions</b>	Do not use strong liquid cleaners, Wipe clean with a dry cloth
<b>Replacement Warranty</b>	*2 Years

## Barcode

**GTIN** 9329501066348

## Image -dimensions



Note: Dimensions are only a guide and may vary due to manufacturing variations.

Last modification 2024-04-09

**ELDRA TL-AG**  
**9329501066324**



The Eldra table lamp combines the best of contemporary design trends with its on-trend metallic finish and a clear bubble shade. This chic and modern lamp not only enhances your decor with its stylish appearance but also provides a captivating lighting effect. With its IP43 cordless and water-resistant design, it seamlessly transitions between indoor and outdoor settings, making it a versatile and fashionable addition to your lighting collection.

## Overview

<b>Family name</b>	Eldra
<b>Categories</b>	Table Lamps
<b>Switch</b>	Yes - 3 way Touch Switch
<b>Usage</b>	Indoor Lighting, Outdoor Lighting

## Color / Material

<b>Fixture Color</b>	Antique Gold
<b>Fixture Finish</b>	Gloss
<b>Fixture Material</b>	Aluminium, Acrylic
<b>Diffuser Color</b>	Frost
<b>Cable Color</b>	White
<b>Cable Material</b>	PVC

## Size

<b>Fixture Diameter (cm)</b>	9.0
<b>Fixture Height (cm)</b>	18.0
<b>Cable Length (cm)</b>	100

## Specification

<b>Voltage Input</b>	240V
<b>Total Wattage (max)</b>	3
<b>Globe Type</b>	LED integrated SMD
<b>Globe / Light Source qty</b>	1
<b>Globe / Light Source included</b>	Yes
<b>Lumens</b>	300
<b>Color Temperature</b>	Warm White; Natural White; Cool White

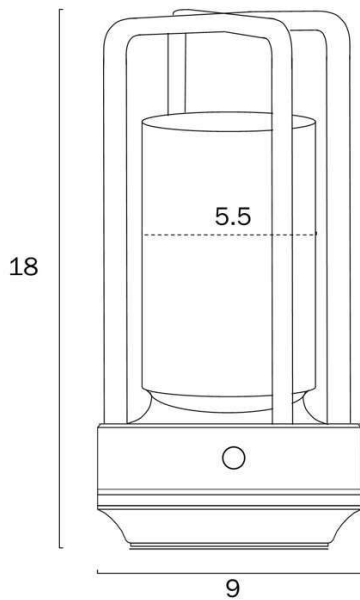
All representations within this document are subject to copyright. ELECTRICAL INSTALLATIONS MUST BE PERFORMED BY A QUALIFIED ELECTRICAL CONTRACTOR AND INSTALLED IN ACCORDANCE WITH AS/NZS 3000.  
NOTE : All images , descriptions and dimensions are indicative. Please check latest version of item detail on Telbix website prior to ordering or installation.

<b>Color Kelvin</b>	3 CCT (3000k - 4000k - 5000k)
<b>Battery Capacity (mA)</b>	2x2000 (6-24 hour capacity)
<b>Dimmable</b>	Touch
<b>Electrical Protection</b>	CLASS III - LOW VOLTAGE, <54v
<b>IP rating</b>	IP43
<b>USB Port</b>	Yes
<b>Approvals</b>	RCM
<b>Assembly Required</b>	No
<b>Box Contents</b>	Instruction
<b>Care Instructions</b>	Do not use strong liquid cleaners, Wipe clean with a dry cloth
<b>Replacement Warranty</b>	*2 Years

## Barcode

**GTIN** 9329501066324

## Image -dimensions



Note: Dimensions are only a guide and may vary due to manufacturing variations.