

Sahara

Fan Heater and Exhaust

Please read these instructions carefully before installing and using the product. Keep the instructions handy for future reference. Electrical wiring must only be done by a licensed electrician and a "Certificate of Compliance" must be issued on completion of the installation.

OPERATING INSTRUCTIONS AND HELPFUL HINTS

Fan

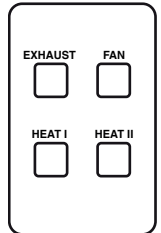
Please note: 'Fan' must be switched on before Heat function can operate.

- Use 'Fan' only (without 'Heat') for cooling effect in warmer weather.

Heat

Please note: 'Heating Functions' will only operate after 'Fan' has been switched on.

- Stand directly underneath the fan heater for maximum heating effect.
- In cooler weather, turn the heater on 5 to 10 minutes before having a bath or shower. This will warm the environment, helping to minimise steam production and condensation on the mirrors and walls.
- In high steam conditions, use the exhaust function in tandem with the heat function to maximise steam removal.



Exhaust

- For maximum exhaust performance, there must be sufficient replacement air available through either an ajar door, underneath the bottom of the door or an air vent in door.
- In high steam conditions, run exhaust for several minutes after leaving the bathroom to help with condensation and moisture control.

WHAT'S IN THE BOX

- Heater unit
- Operating and Installation Instructions.
- Four Switch Wall plate.
- Cutout Template
- Duct and Vent grille

SAFETY INSTRUCTIONS

During use of the product, it is necessary to observe some precautions. Improper operation with disregard of precautions may result in infliction of harm to health of the user and other people, as well as infliction of damage to their property.

- Use only the voltage specified on the rating plate of the heater.
- This item should only be installed by a licensed tradesperson.
- The heater should be connected to the electric mains equipped with an automatic circuit breaker.
- The unit must be handled with care avoiding any sudden impacts or vibrations.

WARNING: FIRE RISK EXISTS IF THE HEATER IS COVERED BY OR POSITIONED CLOSE TO CURTAINS OR OTHER COMBUSTIBLE MATERIALS.

- Do not use the appliance in areas where gasoline, paint or other flammable liquids are used or stored.

Electricians, please ensure a copy of the Installation Instructions are left with the end user for future reference

Sahara

Fan Heater and Exhaust

- Do not use the appliance in dusty areas or where explosives are stored.
- Do not use the appliance in a building site, green house, barn or in animal stables.
- Do not use the appliance as a sauna heater.
- Warning: To avoid risk of burns, do not touch the appliance while in operation or until fully cooled following operation. (up to 1 hour).
- Do not place any items of clothing, hand towels or similar over the heater to dry.
- Do not leave the heater unattended whilst in use.
- If the heater is defective, it must be checked and repaired by the manufacturer, its service agent or similarly qualified persons for repair.
- Do not operate appliance with wet hands.
- Use this appliance only as described in this manual. Any other use is not recommended by the manufacturer and may cause fire, electric shock or injury.
- Do not use abrasive cleaning products on this appliance. If the body becomes dirty, wipe off dust with a cloth. Always disconnect from the mains supply before cleaning.
- The heater must be installed at least 2.0m above the floor.
- The heater must not be located immediately below a socket outlet. The heater must not be located in front of a socket outlet. They should be located outside the physical footprint of the units to minimise heat build up behind the heater.
- Do not connect the appliance to the mains source until it has been installed in its final location and adjusted to the position it will be used in.
- Do not operate with the cord coiled up as this could cause a build-up of heat, which could pose a hazard.
- Do not allow cord to come in contact with heated surfaces during operation.
- This appliance is not intended for use by persons (including children) with reduced physical, sensory or mental capabilities, or lack of experience and knowledge, unless they have been given supervision or instruction concerning use of the appliance by a person responsible for their safety.
- Children should be supervised to ensure that they do not play with the appliance
- The appliance is only intended for the purpose described in user manual.
- Do not use appliance or any part of the appliance out of the intended use to avoid risk.
- The use of attachments which are not recommended or sold by the appliance manufacturer may cause a risk of injury to persons.
- CAUTION — some parts of this product can become very hot and cause burns. Particular attention has to be given where children and vulnerable people are present.
- Install and operate the heater in strictly horizontal position on the ceiling or ceiling structural surface. The thermal resistance of the ceiling coating and ceiling material should be at least 80 °C.
- WARNING: This heater is not equipped with a device to control the room temperature. The heater must not be within reach from the floor, as severe burns may occur due to high surface temperatures. Do not use this heater in small rooms or where the room or area is occupied by persons not capable of leaving the room on their own. Persons who are unable to operate the heater safely and within the guidelines of the user manual, should be supervised at all times.
- When the appliance is not in use and before cleaning, unplug the appliance from the outlet.
- Indoor use only.

**WARNING: Please do not attempt to open or repair the heater yourself.
Doing so could void the warranty and cause damage or personal injury.**

**Electricians, please ensure a copy of the Installation
Instructions are left with the end user for future reference**

Sahara

Fan Heater and Exhaust

LOCATION

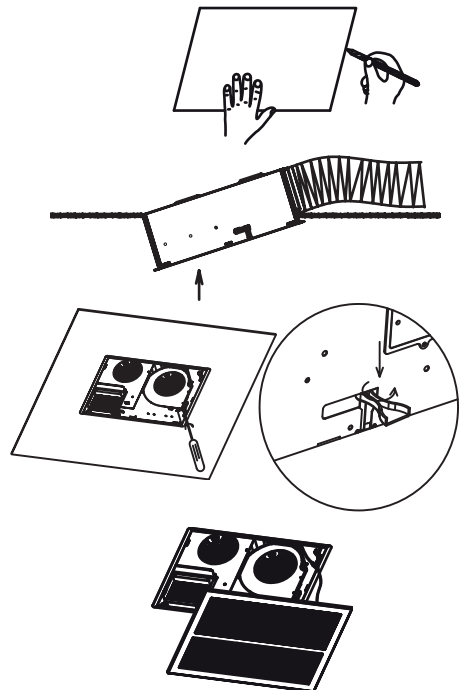
- The unit must be located and installed in accordance with AS/NZS 3000 and local building codes relating to damp situations.
- This may mean that no part of the Module may be located directly above any part of a bath or shower recess or enclosure.
- The unit should be installed in flat ceilings with a minimum height of 2 metres. At least 200mm height clearance in the ceiling cavity is required to ensure sufficient ventilation for moisture to disperse. The unit must also be installed at least 250mm away from walls.
- Ensure adequate air intake into the room exists through windows, vents or under the door to replace the displaced air from the exhaust fan.
- Regulations concerning the discharge of air must be fulfilled.
- Precautions must be taken to avoid the back-flow of gases into the room from the open flue of gas or other fuel-burning appliances.

POWER

AC220-240V ~50Hz electrical supply is required. The unit can be connected to a lighting or power circuit if loading permits. All electrical work must be carried out in accordance with AS/NZS 3000 or latest edition thereof, and local building codes and regulations. A four switch wall plate is included and must be wired as per wiring diagram supplied. Ensure the power supply is isolated before commencing installation. Electrical wiring must only be done by a licensed tradesperson and a "Certificate of Compliance" must be issued at completion of the installation.

INSTALLATION

1. Use the cut out template card as a template. Place in the required location and mark out the hole cutting size: 523mm x 343mm. Before commencing cutting ensure that the area behind the intended location is clear of all cables, pipes and joists. Once clear, cut out the section along the previously marked lines.
2. Prise up the edge of fascia then take off the fascia. Remove the cover of the terminal and connect the wires according to the diagram. Connect the ducting to the unit if required.
3. Insert the unit into the ceiling cavity, ensuring the clips are resting against the body of the unit. Tighten the screws to ensure the unit is fixed securely.
4. Attach the fascia to motor body, making sure all fixing clips have located correctly.



Electricians, please ensure a copy of the Installation Instructions are left with the end user for future reference

Sahara

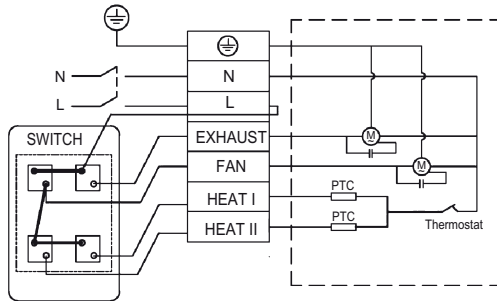
Fan Heater and Exhaust

CONNECTION TO ELECTRIC MAINS

- Locate the heater in accordance with the requirements of the current Australian/New Zealand Wiring Rules AS/NZS 3000 relating to damp situations.
- The heater is designed for connection to the single-phase 220-240V~ 50Hz electric mains equipped with an earth wire.
- Before connection, make sure that specifications of the electric mains at the connection point meet the single-phase 220-240V~50Hz voltage.
- The electric mains should be equipped with an automatic circuit breaker with rated current not less than 10A.
- Switches and other controls must not be located where they can be touched by a person in the bath or shower.
- The heater must not be located immediately below a power point. Power point should not be located at the back of the heater. The power point needs to be located outside the physical footprint of the heater to minimise heat build-up behind the heater.
- **WARNING:** The installation must be equipped with an all-pole disconnection mechanism with a break contact distance of at least 3mm.

ELECTRICAL WIRING

1. Connect the wiring to the four-gang switch according to the below electrical diagram.
2. Please note: Wiring configuration ensures that 'HEAT' functions will only operate once 'FAN' has been engaged.
3. Remove the terminal cover on the heater unit and wire according to the label adjacent to the terminal block. Make sure all cables are securely connected and refit the terminal cover.
4. Turn on the power and check the switch operation.



Model No: **SAH21WH / SAH21BL**
 Rated Voltage: 220-240V~
 Rated Frequency: 50Hz
 Total Power: 2095W
 Heat Wattage: Max 2000W
 Fan Power: 40W
 Exhaust Power: 55W
IPX2

CAUTION:

The wiring configuration ensures that the heat functions will only operate once 'FAN' has been engaged. Please check all functions are working correctly after installation.

Electricians, please ensure a copy of the Installation Instructions are left with the end user for future reference

Sahara

Fan Heater and Exhaust

CARE AND MAINTENANCE

- This fan heater must not be installed near curtains or other combustible materials.
- The appliance must under no circumstances be covered with insulation material or similar material.
- Joists, beams and rafters must not be cut or notched to install the appliance.
- This unit must cool before cleaning. To clean the fascia, wipe with a dampened cloth. This appliance is not intended for use by persons (including children) with reduced physical, sensory or mental capabilities, or lack of experience or knowledge, unless they have been given supervision or instruction concerning use of the appliance by a person responsible for their safety. Young children should be supervised to ensure that they do not play with the appliance.
- Ensure that this appliance is switched off from the supply mains before removing the guard.

DISPOSAL

Do not dispose of electrical products with household waste. Please check with your local council for advice on disposal or recycling. If electrical appliances are disposed of in landfills or dumps, hazardous substances can leak into the groundwater and get into the food chain, damaging your health and well-being.

Electricians, please ensure a copy of the Installation Instructions are left with the end user for future reference