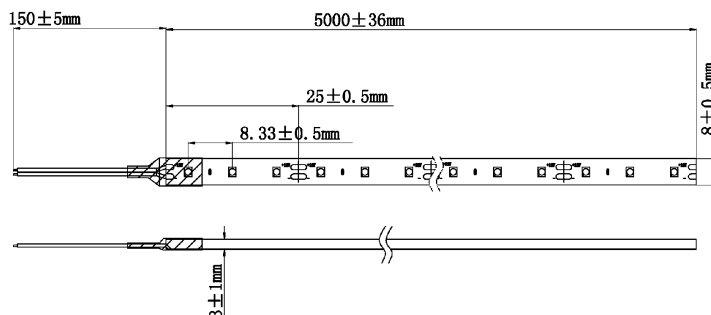


## PRODUCT SPECIFICATIONS

- Watts Per Metre:** 9.6w
- Input Voltage:** 12v DC
- Colour Temp:** 3000k
- CRI:** >80
- Beam Angle:** 120°
- IP Rating:** IP54
- Size:** 8mm x 3mm
- PCB:** 3oz
- Dimmable:** Yes
- LED Chip Type:** 3528
- LED Chips Per Metre:** 120 LED'S
- Lumens Per Metre\*:** 780lm
- Maximum Length:** 5000mm
- Cutting Increments:** Every 25mm
- Wiring:** Parallel
- Mounting:** Aluminium Profile or Heat Sink
- Warranty:** 2 Years Replacement\*\*



## DIMENSIONS



### IP RATING



### APPROVALS



## Product Ordering

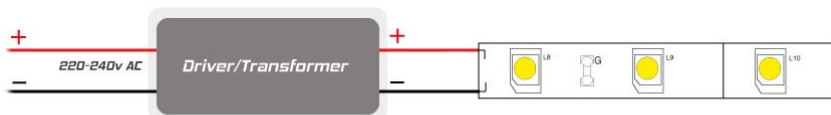
### IMAGE

### PART NUMBER



**HV9723-IP54-120-3K**

### SAMPLE INSTALLATION DIAGRAM



Must be used with a suitable 12v DC LED Driver

\* Lumens measured @ source

\*\*See Warranty Terms and Conditions for more information

For more information contact Havit Lighting

ADDRESS:  
143 Beauchamp Road  
Matrville NSW 2036  
Australia

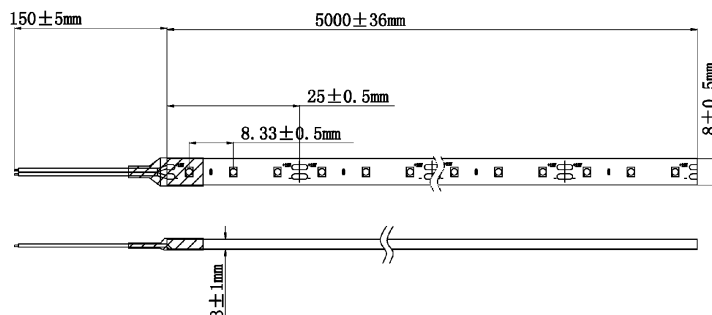
Tel: 02 9381 8300  
Fax: 02 9666 8881  
Email: sales@havit.com.au  
web: www.havit.com.au

## PRODUCT SPECIFICATIONS

- Watts Per Metre:** 9.6w
- Input Voltage:** 12v DC
- Colour Temp:** 4000k
- CRI:** >80
- Beam Angle:** 120°
- IP Rating:** IP54
- Size:** 8mm x 3mm
- PCB:** 3oz
- Dimmable:** Yes
- LED Chip Type:** 3528
- LED Chips Per Metre:** 120 LED'S
- Lumens Per Metre\*:** 820lm
- Maximum Length:** 5000mm
- Cutting Increments:** Every 25mm
- Wiring:** Parallel
- Mounting:** Aluminium Profile or Heat Sink
- Warranty:** 2 Years Replacement\*\*



## DIMENSIONS



## IP RATING



## APPROVALS



## Product Ordering

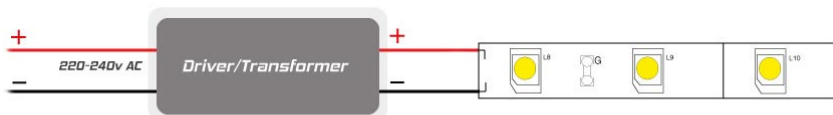
### IMAGE

### PART NUMBER



**HV9723-IP54-120-4K**

### SAMPLE INSTALLATION DIAGRAM



Must be used with a suitable 12v DC LED Driver

\* Lumens measured @ source

\*\*See Warranty Terms and Conditions for more information

For more information contact Havit Lighting

ADDRESS:  
143 Beauchamp Road  
Matraville NSW 2036  
Australia

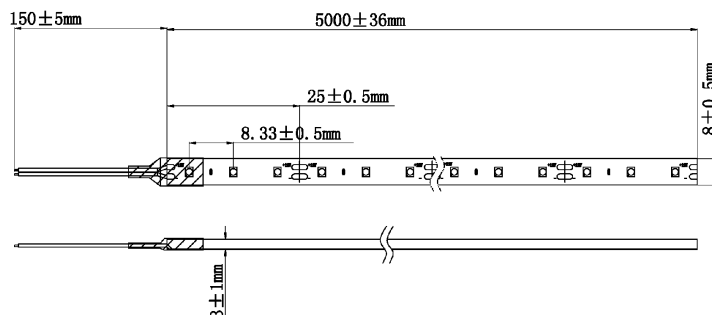
Tel: 02 9381 8300  
Fax: 02 9666 8881  
Email: sales@havit.com.au  
web: www.havit.com.au

## PRODUCT SPECIFICATIONS

- Watts Per Metre:** 9.6w
- Input Voltage:** 12v DC
- Colour Temp:** 5500k
- CRI:** >80
- Beam Angle:** 120°
- IP Rating:** IP54
- Size:** 8mm x 3mm
- PCB:** 3oz
- Dimmable:** Yes
- LED Chip Type:** 3528
- LED Chips Per Metre:** 120 LED'S
- Lumens Per Metre\*:** 860lm
- Maximum Length:** 5000mm
- Cutting Increments:** Every 25mm
- Wiring:** Parallel
- Mounting:** Aluminium Profile or Heat Sink
- Warranty:** 2 Years Replacement\*\*



## DIMENSIONS



### IP RATING



### APPROVALS



## Product Ordering

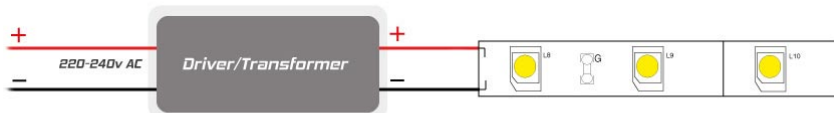
### IMAGE

### PART NUMBER



**HV9723-IP54-120-5K**

### SAMPLE INSTALLATION DIAGRAM



Must be used with a suitable 12v DC LED Driver

\* Lumens measured @ source

\*\*See Warranty Terms and Conditions for more information

For more information contact Havit Lighting

ADDRESS:  
143 Beauchamp Road  
Matraville NSW 2036  
Australia

Tel: 02 9381 8300  
Fax: 02 9666 8881  
Email: sales@havit.com.au  
web: www.havit.com.au