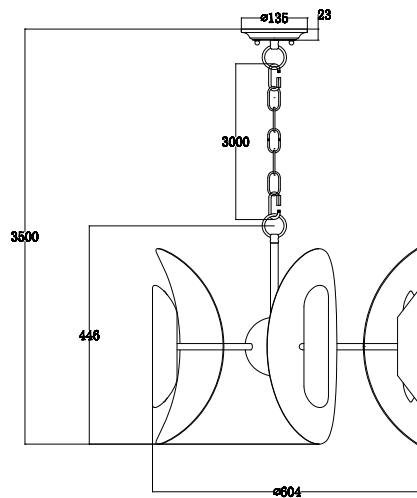


STRATO1

Interior E14 Pendant Light

Decor Lighting



Part No.	STRATO1
Description	PENDANT Polished Nickel Hardware with SS
Material	Iron, stainless steel
Lamp Holder	10xE14 (Max.60W HAL), Suitable for E14 base candle globes only
Globe included	No
Indoor / outdoor	Indoor only
Dimensions	Ø604mm x H 446mm
Cable & Chain	3m
Canopy Size	Ø135mm
Weight	10.7kg
Box	70x69.1x47.3cm
Carton QTY	1/1



UPDATED ON 03.09.2018

