

STE13-14

Exterior LED surface mounted eyelid step lights

Exterior Lighting



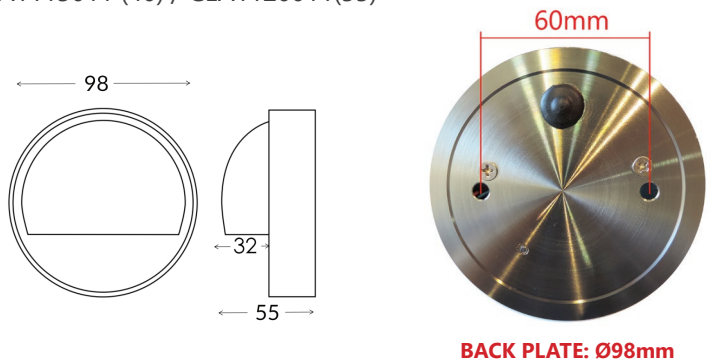
Product Features:

- Input voltage range: 12-14V AC/DC
- Remote control gear required (DC drivers only)
- Material: Anodized 316 stainless steel and polished solid copper
- LED chips: 3pcs XB-D
- Power factor: 0.95
- CRI: 80
- Ambient temp: -40 to 85°C

50,000hr Lifetime	120° Beam Angle	IP54 Rated	2YEAR Replacement Warranty
----------------------	--------------------	----------------------	-----------------------------------------

Tested & Recommended Drivers:

CLADR12W (3) / DRIV1 (3) / OTTER1 (3) / CLA111011 (2) /
CLA113011 (8) / CLA115011 (12) / CLA1110011 (25) /
CLA1115011 (40) / CLA1120011(55)



Part No.	Description	Kelvin	Lumens	Watt	CRI	PF	Weight	Box	Carton QTY
STE13	WALL 12V 3W Built in LED S/M SS 316 Lge Curved	3000K	240LM	3W	80	0.95	0.5kg	13x11x8cm	1/25
STE14	WALL 12V 3W Built in LED S/M Solid Copper Lge Curved	3000K	240LM	3W	80	0.95	0.6kg	13x11x8cm	1/25