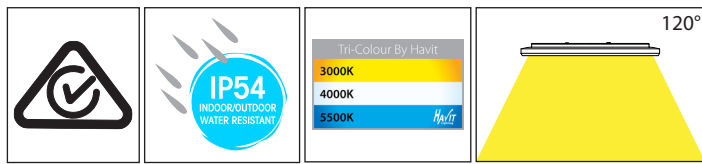


# Slim White LED Oyster Lights



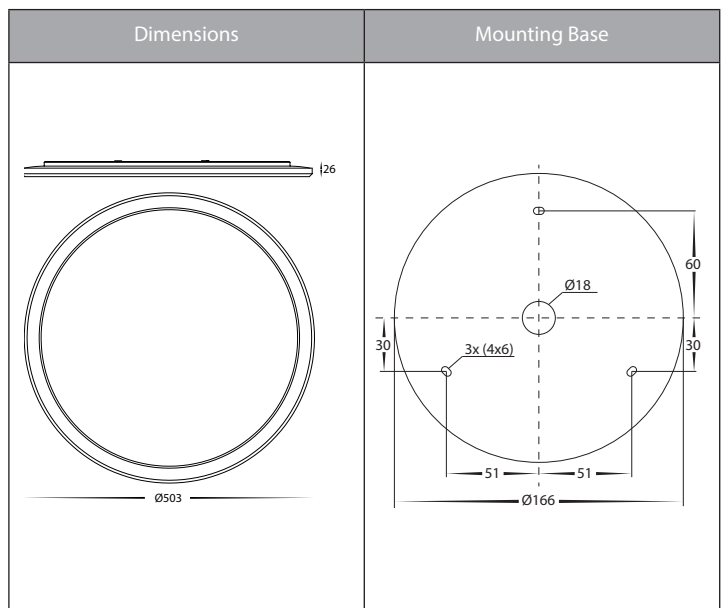
## Product Specifications

Name	Slim
Material	Polycarbonate
Colour	White
IP Rating	IP54
IK Rating	IK08
Installation Type	Ceiling - Surface Mounted
Lamp Base	Built in LED
Max Wattage	40w
Protection Class	2 (No Earth Required)
Lamp Expectancy	<30,000hrs
Diffuser Type	Opal Polycarbonate
CRI	CRI>80
Dimmable	Yes - Triac Dimming
Warranty	3 Years Replacement*



## Optional Havit Compatible Accessories

Image	Part Number	Description
	HV9625	LED Dimmer - 300w Max



## Product Ordering

Part Number	Colour Temp	Lumens	Input Voltage	Beam Angle	Included LED	Barcode
<b>HV5879T-WHT</b>	3000k 4000k 5500k	3600lm 3700lm 3800lm	240v AC	120°	<b>TRI Colour</b> 40w Built in LED	9350418019622

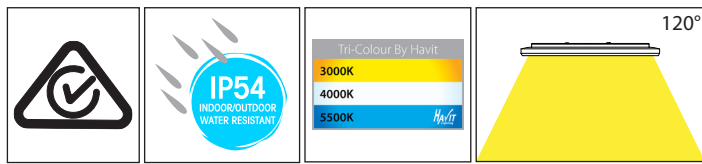
\*Items ordered after 01-01-2022

# Slim White LED Oyster Lights



## Product Specifications

Name	Slim
Material	Polycarbonate
Colour	White
IP Rating	IP54
IK Rating	IK08
Installation Type	Ceiling - Surface Mounted
Lamp Base	Built in LED
Max Wattage	30w
Protection Class	2 (No Earth Required)
Lamp Expectancy	<30,000hrs
Diffuser Type	Opal Polycarbonate
CRI	CRI>80
Dimmable	Yes - Triac Dimming
Warranty	3 Years Replacement*



## Optional Havit Compatible Accessories

Image	Part Number	Description
	HV9625	LED Dimmer - 300w Max

Dimensions	Mounting Base

## Product Ordering

Part Number	Colour Temp	Lumens	Input Voltage	Beam Angle	Included LED	Barcode
<b>HV5878T-WHT</b>	3000k 4000k 5500k	2600lm 2700lm 2800lm	240v AC	120°	<b>TRI Colour</b> 30w Built in LED	9350418019616

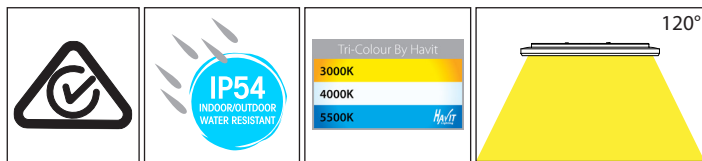
\*Items ordered after 01-01-2022

# Slim White LED Oyster Lights



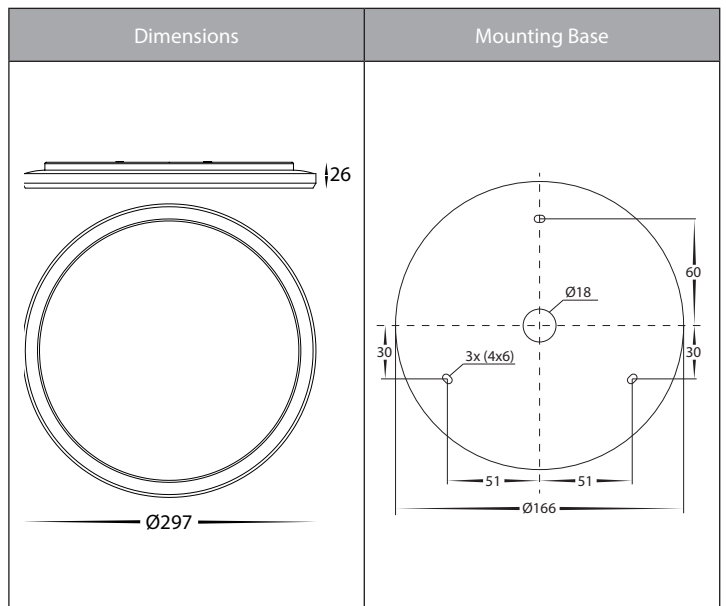
## Product Specifications

Name	Slim
Material	Polycarbonate
Colour	White
IP Rating	IP54
IK Rating	IK08
Installation Type	Ceiling - Surface Mounted
Lamp Base	Built in LED
Max Wattage	24w
Protection Class	2 (No Earth Required)
Lamp Expectancy	<30,000hrs
Diffuser Type	Opal Polycarbonate
CRI	CRI>80
Dimmable	Yes - Triac Dimming
Warranty	3 Years Replacement*



## Optional Havit Compatible Accessories

Image	Part Number	Description
	HV9625	LED Dimmer - 300w Max



## Product Ordering

Part Number	Colour Temp	Lumens	Input Voltage	Beam Angle	Included LED	Barcode
<b>HV5877T-WHT</b>	3000k 4000k 5500k	2000lm 2100lm 2200lm	240v AC	120°	<b>TRI Colour</b> 24w Built in LED	9350418008213

\*Items ordered after 01-01-2022