

# Residential Range

## Wall Lights

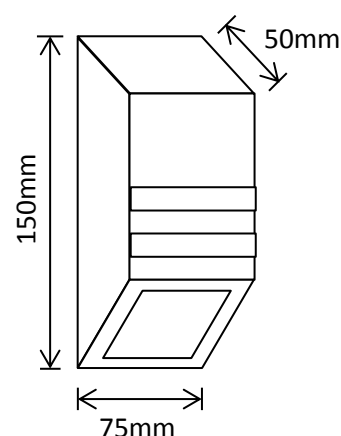
### Flush Mount Wall Light

Product Code	LED's	Battery	Solar Panel	IP Rating	Lumens
SLDWL0099A /BLK-WW	1 x SMD LED @0.3W (WW) 1 x SMD LED @0.7W (WW)	1 x 3.2v 500mAh Lithium	1W Integrated Polycrystalline	65	40 @ 1m
SLDWL0099A /SS-WW	1 x SMD LED @0.3W (WW) 1 x SMD LED @0.7W (WW)	1 x 3.2v 500mAh Lithium	1W Integrated Polycrystalline	65	40 @ 1m
SLDWL0099A /SS-CW	1 x SMD LED @0.3W (CW) 1 x SMD LED @0.7W (CW)	1 x 3.2v 500mAh Lithium	1W Integrated Polycrystalline	65	40 @ 1m

#### Features:

- Pyro-electric Infrared Sensor
- Approximately 8-10 hours Operation
- Self-adjusting run time on Sensor
- Flush Wall Mount Base

**1 Year Warranty!**



#### Packaged Fitting Weight & Dimensions

W: 0.3kg

D: 18cm x 9cm x 7cm