

Residential Range

Wall Lights

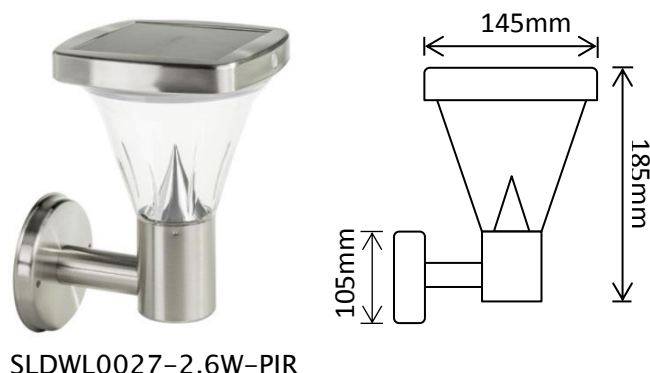
Modern Wall Light

Product Code	LED's	Battery	Solar Panel	IP Rating	Lumens
SLDWL0026-PIR	12 x SMD LED @0.2W (CW) 1 x SMD LED @0.2W (WW)	3 x 1.2v 800mAh Ni-MH	0.6W Integrated Polycrystalline	44	350 @ 1m
SLDWL0027-PIR	12 x SMD LED @0.2W (CW) 1 x SMD LED @0.2W (WW)	3 x 1.2v 1500mAh Ni-MH	1W Integrated Polycrystalline	44	350 @ 1m

Features:

- Pyro-electric Infrared Sensor
- Stainless Steel Construction
- Approximately 6-8 hours Operation
- Approximately 1 minute Sensor Run Time
- Wall Mounting Bracket
- UV-Stabilised PVC Lens

1 Year Warranty!



Packaged Fitting Weight & Dimensions

W: 0.6kg

D: 20cm x 15cm x 16cm