

Pillar Light with Motion Sensor



30x SMD LED
(Cool White)
@ 0.2wea



1x SMD LED
(Warm White)
@ 0.2wea



1x 3.7V
4.4Ah NiMH



4W Integrated
Polycrystalline



Dust & Water
Protection



Aluminium Alloy
Construction



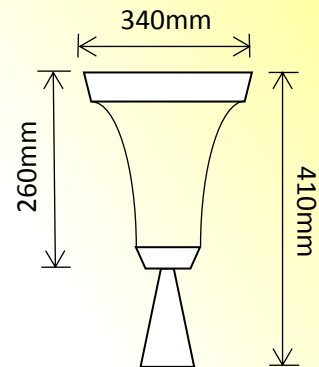
350 Lumens
at 1 metre



SLDPIL0008A-6.2W-PIR

Features:

- Pyro-electric Infrared Sensor
- Manual Over-Ride on Sensor
- Built in Photo Electric Cell
- 1minute Sensor Run Time
- 6-8 hours Operation per day
- Surface Mounted Base
- Black P.C. Finish
- Glass Lampshade
- **1 Year Warranty!**



SLDPIL0018A-6.2W-PIR

Features:

- Pyro-electric Infrared Sensor
- Manual Over-Ride on Sensor
- Built in Photo Electric Cell
- 1minute Sensor Run Time
- 6-8 hours Operation per day
- Surface Mounted Base
- Black P.C. Finish
- Glass Lampshade
- **1 Year Warranty!**

