

Commercial Range

Flood Lights

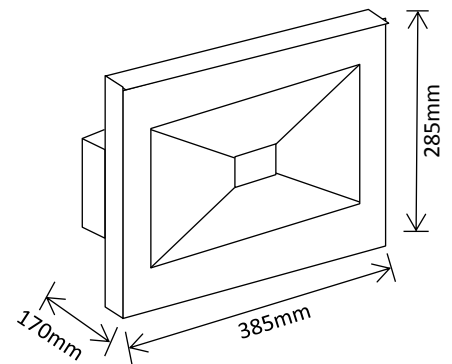
50W Flood Light

Product Code	LED's	Battery	Solar Panel	IP Rating	Lumens
SLDFL50W-DC	5730 SMD LEDs	1 x 12vDC 30000mAh Li-Ion	N/A	67	5000 @ 1m (CW) 5500 @ 1m (WW)

Features:

- Die Cast Aluminium – Body
- Tempered Safety Glass
- RF Remote Control Operation
- Wall Mounting Bracket
- 5m Connection Cable
- Dimmable
- Dual Colour LED Technology
- LED Selector Switch

2 Year Warranty!



Packaged Fitting Weight & Dimensions

W: 5.6kg

D: 40cm x 31cm x 22.5cm

Solar Panel Required	
No. of lights connected	SLDSP100
1	✓

*Please reference page 83 for further Solar Panel information