

# Flood Light with Motion Sensor and Remote Control



2x Daylight COB LEDs @ 5W ea (Cool White)



1x 12V 5Ah Li-Ion



15W Separate Polycrystalline



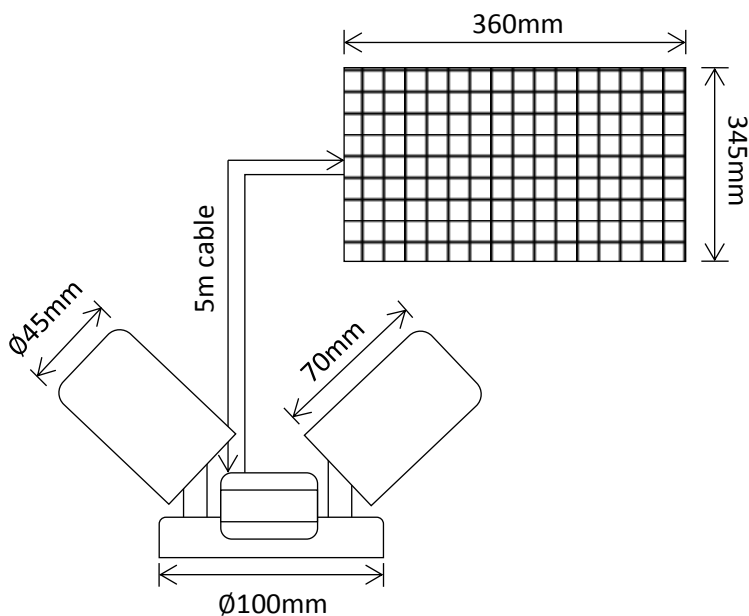
Dust & Water Protection



Aluminium Alloy Construction



500 Lumens at 1 metre



## SLDFL25W-PIR

### Features:

- "Plug and Play" Installation
- Pyro-electric Infrared Sensor
- Built in Photo Electric Cell
- Sensitivity Adjustable
- Time Adjustable
- Remote Control Operation
- Manual Override Option
- 180 Degree Sensor Adjustment
- 360 Degree Light Adjustment
- 6-8-hours Operation per day
- Wall Mounting Bracket
- Housing colour – Black
- **1 Year Warranty!**

