

Residential Range

Path/Deck Lights

Deck/In-Ground Kit

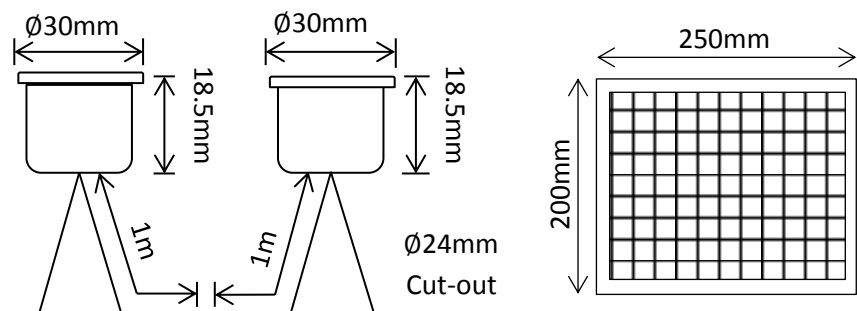
Product Code	LED's	Battery	Solar Panel	IP Rating	Lumens
SLDDLK-10	10 x SMD LEDs @0.3W Warm White	1 x 3.7v 2600mAh Lithium	5W Separate Polycrystalline	Panel = 65 Lights = 67	40 @ 1m

Features:

- Stainless Steel Construction
- Approximately 6-8 hours Operation
- 100kg Max Walk Over Pressure
- Flush Mounting Position
- 5m Moulded Cable from Solar Panel to First Light
- 2m Moulded Cable Joining Light to Light



1 Year Warranty!



Packaged Fitting Weight & Dimensions

W: 1.3kg

D: 27cm x 21cm x 6.5cm