

# Residential Range

## Bollard Lights

### Bollard Light

| Product Code  | LED's   | Battery                   | Solar Panel                        | IP Rating | Lumens   |
|---------------|---|---------------------------|------------------------------------|-----------|----------|
| SLDBL0026-PIR | 12 x SMD LED @0.2W (CW)<br>1 x SMD LED @0.2W (WW) | 3 x 1.2v<br>800mAh Ni-MH  | 0.6W<br>Integrated Polycrystalline | 44        | 350 @ 1m |
| SLDBL0027-PIR | 12 x SMD LED @0.2W (CW)<br>1 x SMD LED @0.2W (WW) | 3 x 1.2v<br>1500mAh Ni-MH | 1W<br>Integrated Polycrystalline   | 44        | 350 @ 1m |

#### Features:

- Pyro-electric Infrared Sensor
- Stainless Steel Construction
- Approximately 6-8 hours Operation
- Approximately 1 minute Sensor Run Time
- UV-Stabilised PVC Lens
- Spike & Surface Mount Option with Stainless Steel Trim

**1 Year Warranty!**

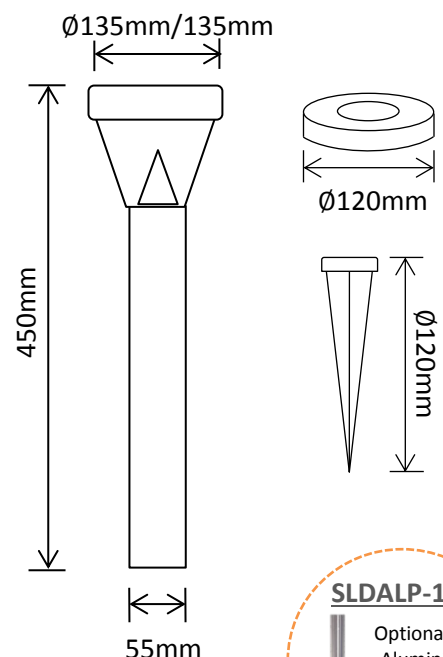
#### Packaged Fitting Weight & Dimensions

W: 0.9kg

D: 48cm x 15cm x 16cm



SLDBL0026-2.6W-PIR  
(Round Head)



SLDBL0027-2.6W-PIR  
(Square Head)

