

Last modification

2022-11-27

SIGRID TL-CHWH

9329501044919



Overview

Family name	Sigrid
Categories	Table Lamps
This item includes	Shade
Shade Shape	Drum Tapered
Switch	Inline Switch
Usage	Indoor Lighting

Color / Material

Fixture Color	Clear,Chrome,White
Fixture Material	Glass,Metal,Fabric
Shade Color	White
Shade Material	Fabric
Base Color	Clear,Chrome
Base Material	Glass,Metal
Glass Color	Clear
Cable Color	Black
Cable Material	PVC

Size

Fixture Diameter (cm)	34.0
Fixture Height (cm)	65.0
Cable Length (cm)	180 (30+Inline Switch+150)

Specification

Voltage Input	240V
Wattage (max)	40
Globe Type	E27
Globe / Light Source qty	1
Globe / Light Source included	No
Dimmable	No
Electrical Protection	CLASS II - DOUBLE INSULATED, EARTH NOT REQUIRED
IP rating	IP20

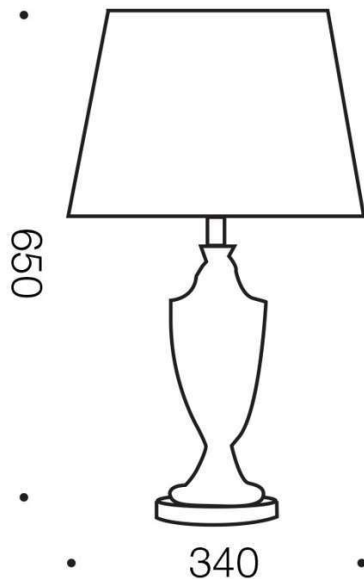
All representations within this document are subject to copyright. ELECTRICAL INSTALLATIONS MUST BE PERFORMED BY A QUALIFIED ELECTRICAL CONTRACTOR AND INSTALLED IN ACCORDANCE WITH AS/NZS 3000.
NOTE : All images , descriptions and dimensions are indicative. Please check latest version of item detail on Telbix website prior to ordering or installation.

Lead and Plug	Yes
Approvals	RCM
Assembly Required	Yes
Box Contents	Instruction
Care Instructions	Do not use strong liquid cleaners,Wipe clean with a dry cloth
Replacement Warranty	*3 Years

Barcode

GTIN 9329501044919

Image -dimensions





Last modification

2022-11-27

SIGRID TL-GDBK

9329501045282



Overview

Family name	Sigrid
Categories	Table Lamps
This item includes	Shade
Shade Shape	Drum Tapered
Switch	Inline Switch
Usage	Indoor Lighting

Color / Material

Fixture Color	Clear,Black,Gold
Fixture Material	Glass,Metal,Fabric
Shade Color	Black
Shade Material	Fabric
Base Color	Clear,Gold
Base Material	Glass,Metal
Glass Color	Clear
Cable Color	Black
Cable Material	PVC

Size

Fixture Diameter (cm)	34.0
Fixture Height (cm)	65.0
Cable Length (cm)	180 (30+Inline Switch+150)

Specification

Voltage Input	240V
Wattage (max)	40
Globe Type	E27
Globe / Light Source qty	1
Globe / Light Source included	No
Dimmable	No
Electrical Protection	CLASS II - DOUBLE INSULATED, EARTH NOT REQUIRED
IP rating	IP20

All representations within this document are subject to copyright. ELECTRICAL INSTALLATIONS MUST BE PERFORMED BY A QUALIFIED ELECTRICAL CONTRACTOR AND INSTALLED IN ACCORDANCE WITH AS/NZS 3000.
NOTE : All images , descriptions and dimensions are indicative. Please check latest version of item detail on Telbix website prior to ordering or installation.

Lead and Plug	Yes
Approvals	RCM
Assembly Required	Yes
Box Contents	Instruction
Care Instructions	Do not use strong liquid cleaners,Wipe clean with a dry cloth
Replacement Warranty	*3 Years

Barcode

GTIN 9329501045282

Image -dimensions

