

SENSOR - ROUND



SPECIFICATIONS

Manual override to bypass PIR sensor

Detection Range 180°

Detection Distance Max 12m (<24°C)

Time Delay: Min 10sec ± 3 sec Max 15min ± 2 min

Detection Motion Speed: 0.6-1.5m/s

Ambient light < 3-2000 lux adjustable

Working temperature: -20°C ~ +40°C

Working Humidity: < 93%RH

Installation Height: 1.8m - 2.5m

Rate Load: Min 3w LED

Rated Load: Max 400W LED

IP44

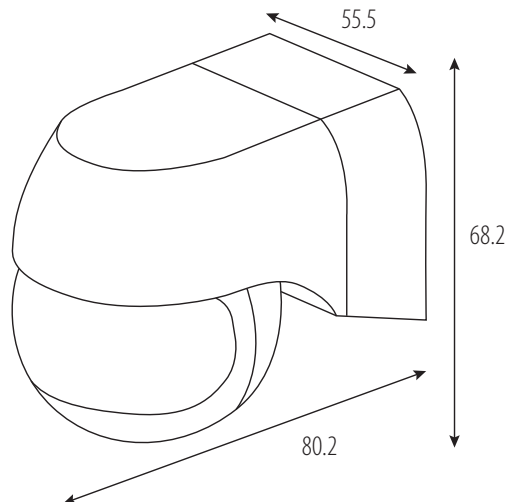
5 Year Warranty

PRODUCT INFORMATION

Order Code	Power	Lumens	CCT	Body Colour	CRI (Ra)	IP Rating	Beam Angle	Dimmable	Emergency	Sensor	Size	SKU Number	Carton Qty	Weight
SCI-2710	N/A	N/A	N/A	White	N/A	44	180°	N/A	N/A	YES	80.2 x 55.5 x 68.2mm	9376047818467	50	7.2kg

Voltage	Frequency HZ	IK Rating	Diffuser	Body Material	Mounting Type	Wiring Type
240v	50Hz	N/A	N/A	UV TREATED PC	Ceiling / Wall	Hardwire

DIMENSIONS



SENSOR - RECTANGLE



SPECIFICATIONS

Manual override to bypass PIR sensor

Detection range 180°

Detection distance 12m max (<24°C)

Detection motion speed 0.6-1.5m/s

Input voltage 220-240v AC 50/60 Hz

Working temperature: -20 ~ +40°C

Working humidity: <93%RH

Rate Load: Min 3w LED

Rated Load: Max 300w LED

Time delay: Min: 10sec ± 3 sec Max.15min +- 2min

Installation height 1.8m - 2.5m

IP65

5 Year warranty

PRODUCT INFORMATION

Order Code	Power	Lumens	CCT	Body Colour	CRI (Ra)	IP Rating	Beam Angle	Dimmable	Emergency	Sensor	Size	SKU Number	Carton Qty	Weight
SCI-2713	N/A	N/A	N/A	White	N/A	65	180°	N/A	N/A	YES	117.2 x 80 x 51.5mm	9376047818474	50	10.3kg

Voltage	Frequency HZ	IK Rating	Diffuser	Body Material	Mounting Type	Wiring Type
240v	50Hz	N/A	N/A	UV TREATED PC	Ceiling / Wall	Hardwire

DIMENSIONS

