

## Sensor SM-01

### Surface Mounted PIR Sensor



#### Description

This is a commercial grade sensor with a five year warranty. Perfect for car parks with its 360 degree motion detection, with no problem for wet areas with its IP65 rating. Choose from automatic mode only and automatic with manual override.



**ESCAPE**  
Emergency Systems



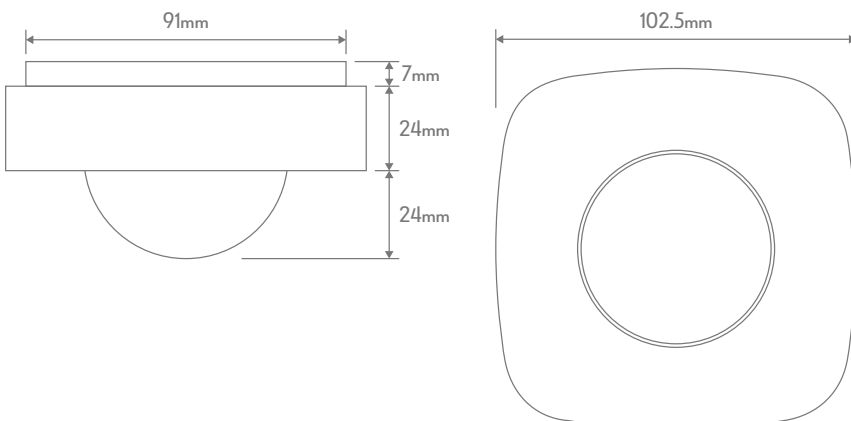
Clear Terminal Cover

#### Specification Features

Input Voltage:	240V
Power:	0.5W
IP rating:	IP65*
Ambient Light:	<3-2000LUX (adjustable)
Time Delay:	Min.10sec±3sec Max.30min±2min
Rated Load (LED):	1000W - 16A
Detection Range:	360°
Detection Distance:	20m max(<24°C)
Working Temperature:	-20~+40°C
Working Humidity:	<93%RH
Power Consumption:	Approx 0.5W
Installation Height:	2.2-6M

\*The terminal cover must be used in order to maintain IP65 rating.

#### Diagrams / Additional



Item No.	Variant
SENSOR-SM-01	66033