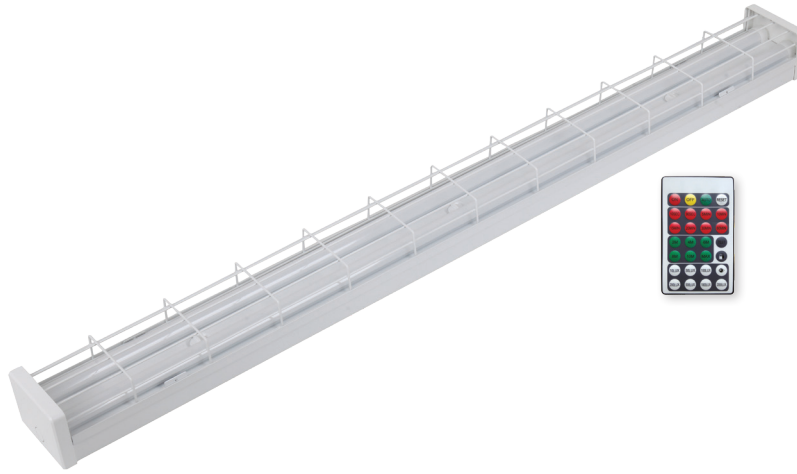


PREMIUM - WIREGUARD SENSOR BATTEN



SPECIFICATIONS

Internally designed sensor for 1200mm battens* Refer to page 92 of catalogue

External sensor for 600mm battens* Refer to page 90 of catalogue

Microwave on/off sensor c/w remote control

Detection Range 360°

Installation Height: 2.5-6m

Detection range 2-6m Radius (< 24°C)

Rated Load: Max 400W LED

Detection area setting 50%/100%

Hold Time 5 sec, 1 min, 5 min, 10 min

Daylight Threshold 2 lux, 10 lux, 50 lux, disable

Remote control needed to adjust settings (SCI-2714-R)

Australian Designed

Dedicated LED

130LM/W High efficiency SMD LED Diodes

Variable wattage, switch between 7w & 15w / 15w & 30w

Large terminal blocks

Replaceable LED driver

Replaceable PC board

20mm Knockouts for conduit or cable glands

Lithium Battery

Maintained Emergency / Non-Maintained Emergency

Complies With: AS2293.3-2005 + Amd 1 & 2 Annex C

5 Year Warranty including sensor / 3 Year Battery Warranty*

OPTIONS

Standard

Emergency

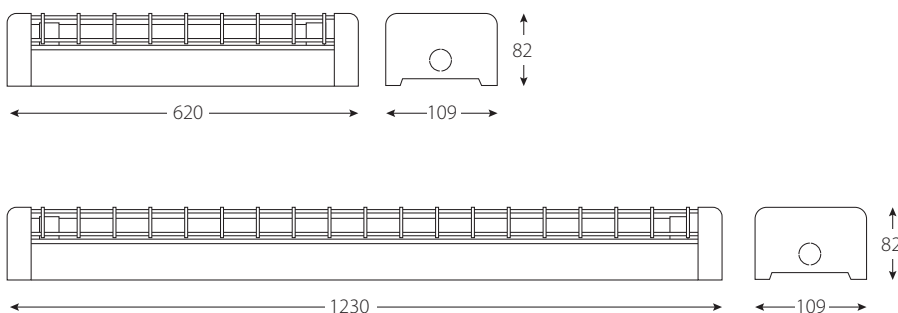
Dimmable

PRODUCT INFORMATION

Order Code	Power	Lumens	CCT	Body Colour	CRI (Ra)	IP Rating	Beam Angle	Dimmable	Emergency	Sensor	Size	SKU Number	Carton Qty	Weight
SCI-7015-S	2x3.5w	950	5000k	White	82	20	120°	Optional	Optional	YES	620x109x82mm	9376047818221	6	10.5kg
SCI-7016-S	2x7w	1900	5000k	White	82	20	120°	Optional	Optional	YES	620x109x82mm	9376047818238	6	10.5kg
SCI-7017-S	2x7w	1900	5000k	White	82	20	120°	Optional	Optional	YES	1230x109x82mm	9376047818245	6	19kg
SCI-7018-S	2x15w	3800	5000k	White	82	20	120°	Optional	Optional	YES	1230x109x82mm	9376047818252	6	19kg
SCI-7019-S	2x3.5w	950	5000k	White	82	20	120°	Optional	Optional	YES	620x109x82mm	9376047820279	6	11.5kg
SCI-7020-S	2x7w	1900	5000k	White	82	20	120°	Optional	Optional	YES	620x109x82mm	9376047820286	6	11.5kg
SCI-7021-S	2x7w	1900	5000k	White	82	20	120°	Optional	Optional	YES	1230x109x82mm	9376047820293	6	20kg
SCI-7022-S	2x15w	3800	5000k	White	82	20	120°	Optional	Optional	YES	1230x109x82mm	9376047820309	6	20kg

Voltage	Frequency HZ	IK Rating	Diffuser	Body Material	Mounting Type	Wiring Type
240v	50Hz	N/A	Wire Guard	Pressed Steel Base	Ceiling / Wall	Hardwire

DIMENSIONS



P: 1300 23 23 53
F: 1300 23 23 63
sales@scillumination.com.au
www.scillumination.com.au

PREMIUM - DIFFUSED SENSOR BATTEN



SPECIFICATIONS

Internally designed sensor for 1200mm battens* Refer to page 92 of catalogue

External sensor for 600mm battens* Refer to page 90 of catalogue

Microwave on/off sensor c/w remote control

Detection Range 360°

Installation Height: 2.5-6m

Detection range 2-6m Radius (< 24°C)

Rated Load: Max 400W LED

Detection area setting 50% / 100%

Hold Time 5 sec, 1 min, 5 min, 10 min

Daylight Threshold 2 lux, 10 lux, 50 lux, disable

Remote control needed to adjust settings (SCI-2714-R)

Australian Designed

Dedicated LED

130LM/W High efficiency SMD LED Diodes

Variable wattage, switch between 7w & 15w / 15w & 30w

Large terminal blocks

Replaceable LED driver

Replaceable PC board

20mm Knockouts for conduit or cable glands

Lithium Battery

Maintained Emergency / Non-Maintained Emergency

Complies With: AS2293.3-2005 + Amd 1 & 2 Annex C

5 Year Warranty including sensor / 3 Year Battery Warranty*

OPTIONS

Standard

Emergency

Dimmable

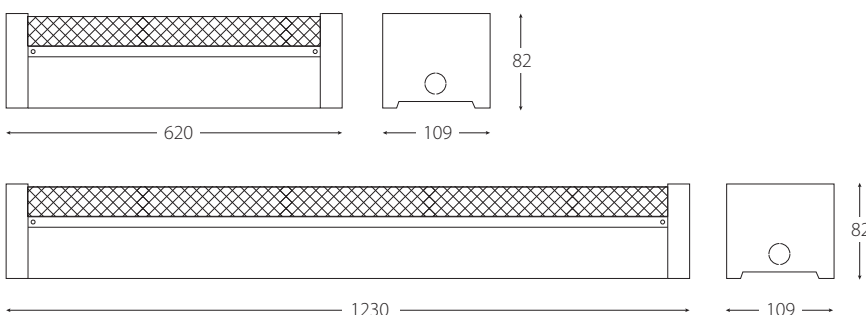
Dimming Sensor*

PRODUCT INFORMATION

Order Code	Power	Lumens	CCT	Body Colour	CRI (Ra)	IP Rating	Beam Angle	Dimmable	Emergency	Sensor	Size	SKU Number	Carton Qty	Weight
SCI-7000-S	2x3.5w	1000	5000k	White	82	20	120°	Optional	N/A	YES	620x109x82mm	9376047818344	6	10kg
SCI-7001-S	2x7w	2000	5000k	White	82	20	120°	Optional	N/A	YES	620x109x82mm	9376047818351	6	10kg
SCI-7002-S	2x7w	2000	5000k	White	82	20	120°	Optional	N/A	YES	1230x109x82mm	9376047818368	6	17.8kg
SCI-7003-S	2x15w	4000	5000k	White	82	20	120°	Optional	N/A	YES	1230x109x82mm	9376047818375	6	17.8kg
SCI-7004-S	2x3.5w	1000	5000k	White	82	20	120°	Optional	YES	YES	620x109x82mm	9376047820231	6	11kg
SCI-7005-S	2x7w	2000	5000k	White	82	20	120°	Optional	YES	YES	620x109x82mm	9376047820248	6	11kg
SCI-7006-S	2x7w	2000	5000k	White	82	20	120°	Optional	YES	YES	1230x109x82mm	9376047820255	6	18.8kg
SCI-7007-S	2x15w	4000	5000k	White	82	20	120°	Optional	YES	YES	1230x109x82mm	9376047820262	6	18.8kg

Voltage	Frequency HZ	IK Rating	Diffuser	Body Material	Mounting Type	Wiring Type
240v	50Hz	N/A	Prismatic	Pressed Steel Base	Ceiling / Wall	Hardwire

DIMENSIONS



P: 1300 23 23 53
F: 1300 23 23 63
sales@scillumination.com.au
www.scillumination.com.au

PREMIUM - DIFFUSED BATTEN



SPECIFICATIONS

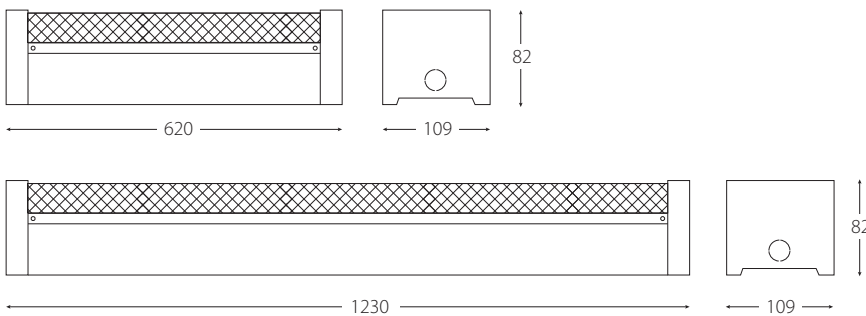
- Australian Designed
- Works on sensor
- Dedicated LED
- 130LM/W High efficiency SMD LED Diodes
- Variable wattage, switch between 7w & 15w / 15w & 30w
- Mild steel powder coated white
- Large terminal blocks
- Maintenance free
- Replaceable LED driver
- Replaceable PC board
- 20mm Knockouts for conduit or cable glands
- Designed for quick and easy installation
- 5 Year Warranty*

PRODUCT INFORMATION

Order Code	Power	Lumens	CCT	Body Colour	CRI (Ra)	IP Rating	Beam Angle	Dimmable	Emergency	Sensor	Size	SKU Number	Carton Qty	Weight
SCI-7000	2x3.5w	1000	5000k	White	82	20	120°	Optional	Optional	Optional	620 x 109 x 82mm	9376047818054	6	10kg
SCI-7001	2x7w	2000	5000k	White	82	20	120°	Optional	Optional	Optional	620 x 109 x 82mm	9376047818061	6	10kg
SCI-7002	2x7w	2000	5000k	White	82	20	120°	Optional	Optional	Optional	1230 x 109 x 82mm	9376047818078	6	17.8kg
SCI-7003	2x15w	4000	5000k	White	82	20	120°	Optional	Optional	Optional	1230 x 109 x 82mm	9376047818085	6	17.8kg

Voltage	Frequency HZ	IK Rating	Diffuser	Body Material	Mounting Type	Wiring Type
240v	50Hz	N/A	Prismatic	Pressed Steel Base	Ceiling / Wall	Hardwire

DIMENSIONS



OPTIONS

- Emergency
- Sensor
- Dimmable
- Emergency / Sensor
- Dimming Sensor*