

CYCLONE WEATHERPROOF EMERGENCY



SPECIFICATIONS

Tri-Colour 3000k, 4000k, 5500k

Variable wattage, switch between 7w & 15w / 15w & 30w

130LM/W High efficiency SMD LED Diode

Polycarbonate body & Diffuser

Polycarbonate & Stainless Steel Clips included

Large terminal blocks for easy installation

Round shape design vandal proof

Dedicated LED

20 mm Conduit entry

PVC Cable glands included

Suspension brackets included

Lithium LiFe PO4 Battery

Maintained Emergency / Non-Maintained Emergency

Complies With: AS2293.3-2005 + Amd 1 & 2 Annex C

5 Year Warranty / 3 Year Battery Warranty*

OPTIONS

Standard

Sensor

Emergency / sensor

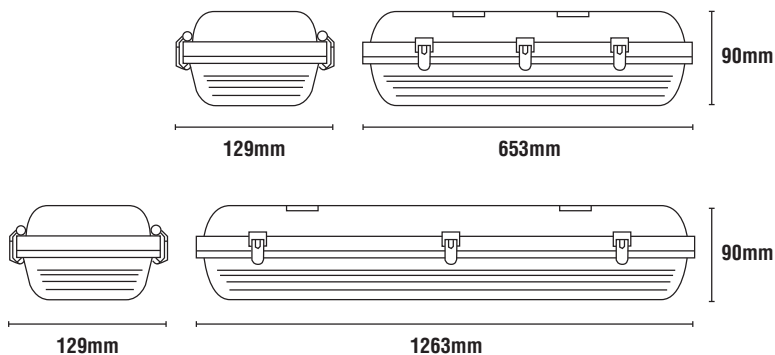
Dimmable

PRODUCT INFORMATION

Order Code	Power	Lumens	CCT	Body Colour	CRI (Ra)	IP Rating	Beam Angle	Dimmable	Emergency	Sensor	Size	SKU Number	Carton Qty	Weight
SCI-6004	2x7w	1800, 1900, 2000	3000k, 4000k, 5000k	Grey	82	65	120°	Optional	YES	Optional	653 x 129 x 90mm	9376047817972	6	21.8kg
SCI-6005	2x15w	3600, 3800, 4000	3000k, 4000k, 5000k	Grey	82	65	120°	Optional	YES	Optional	1263 x 129 x 90mm	9376047817989	6	24.5kg

Voltage	Frequency HZ	IK Rating	Diffuser	Body Material	Mounting Type	Wiring Type
240v	50Hz	IK10	UV treated Polycarbonate	UV treated Polycarbonate	Ceiling / Wall	Hardwire

DIMENSIONS



P: 1300 23 23 53
F: 1300 23 23 63
sales@scillumination.com.au
www.scillumination.com.au

CYCLONE WEATHERPROOF SENSOR



SPECIFICATIONS

Internally designed sensor for 1200mm battens* Refer to page 92 of catalogue

External sensor for 600mm battens* Refer to page 90 of catalogue

Microwave on/off sensor c/w remote control

Detection Range 360°

Installation Height: 2.5-6m

Detection range 2-6m Radius (< 24°C)

Rated Load: Max 400W LED

Detection area setting 50%/100%

Hold Time 5 sec, 1 min, 5 min, 10 min

Daylight Threshold 2 lux, 10 lux, 50 lux, disable

Remote control needed to adjust settings (SCI-2714-R)

Tri-Colour 3000k, 4000k, 5500k

Variable wattage, switch between 7w & 15w / 15w & 30w

130LM/W High efficiency SMD LED Diode

Polycarbonate body & Diffuser

Polycarbonate & Stainless Steel Clips included

Large terminal blocks for easy installation

Dedicated LED

PVC Cable glands included

Suspension brackets included

Lithium LiFe PO4 Battery

Maintained Emergency / Non-Maintained Emergency

Complies With: AS2293.3-2005 + Amd 1 & 2 Annex C

5 Year Warranty including sensor / 3 Year Battery Warranty*

OPTIONS

Standard

Emergency / sensor

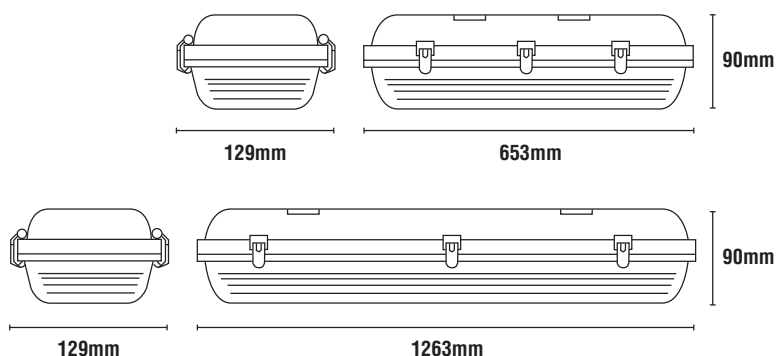
Dimmable

PRODUCT INFORMATION

Order Code	Power	Lumens	CCT	Body Colour	CRI (Ra)	IP Rating	Beam Angle	Dimmable	Emergency	Sensor	Size	SKU Number	Carton Qty	Weight
SCI-6000-S	2x3.5w	900, 950, 1000	3000k, 4000k, 5000k	Grey	82	65	120°	Optional	N/A	YES	653 x 129 x 90mm	9376047820170	6	12.5kg
SCI-6001-S	2x7w	1800, 1900, 2000	3000k, 4000k, 5000k	Grey	82	65	120°	Optional	N/A	YES	653 x 129 x 90mm	9376047820187	6	13.8kg
SCI-6002-S	2x7w	1800, 1900, 2000	3000k, 4000k, 5000k	Grey	82	65	120°	Optional	N/A	YES	1263 x 129 x 90mm	9376047820194	6	13.8kg
SCI-6003-S	2x15w	3600, 3800, 4000	3000k, 4000k, 5000k	Grey	82	65	120°	Optional	N/A	YES	1263 x 129 x 90mm	9376047820200	6	18.5kg
SCI-6004-S	2x7w	1800, 1900, 2000	3000k, 4000k, 5000k	Grey	82	65	120°	Optional	N/A	YES	653 x 129 x 90mm	9376047820217	6	21.8kg
SCI-6005-S	2x15w	3600, 3800, 4000	3000k, 4000k, 5000k	Grey	82	65	120°	Optional	N/A	YES	1263 x 129 x 90mm	9376047820224	6	24.5kg

Voltage	Frequency HZ	IK Rating	Diffuser	Body Material	Mounting Type	Wiring Type
240v	50Hz	IK10	UV treated Polycarbonate	UV treated Polycarbonate	Ceiling / Wall	Hardwire

DIMENSIONS



P: 1300 23 23 53
F: 1300 23 23 63
sales@scillumination.com.au
www.scillumination.com.au