

EM-09 EVAC SERIES



SPECIFICATIONS

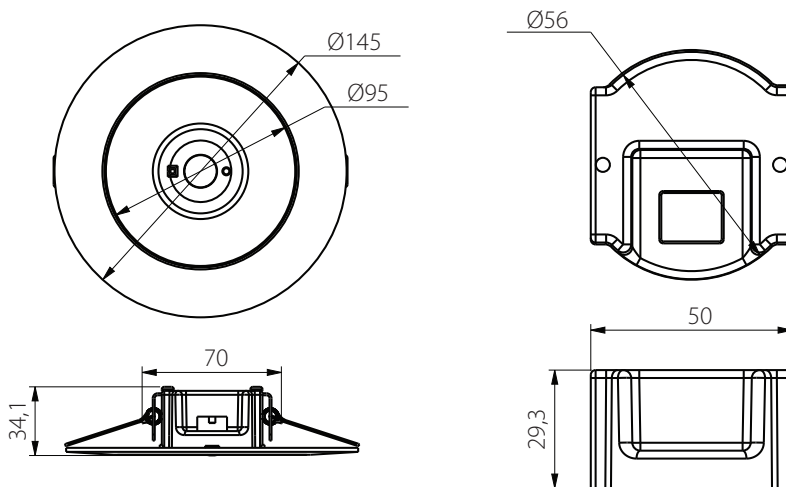
- Non-maintained
- 3.2v liFePO4 battery
- Constant current mode
- SELV output
- Overcharge protection
- AS2293 Classification
C0 = D40 C90 = D40
- Polarity reversal protection
for battery
- Charge time 24 Hours
- CCT 5000k
- Flex and Plug
- Complies with AS2293.3-
2005 + AMD 1&2 Annex C
- EMC Compliant
- Three year warranty

PRODUCT INFORMATION

Order Code	Power	Lumens	CCT	Body Colour	CRI (Ra)	IP Rating	Beam Angle	Dimmable	Emergency	Sensor	Size	SKU Number	Carton Qty	Weight
SCI-2093	1.8w	135	4000k	White	82	20	140°	N/A	Yes	N/A	80.2 x 55.5 x 68.2mm	9376047818467	20	7.2kg

Voltage	Frequency HZ	IK Rating	Diffuser	Body Material	Mounting Type	Wiring Type
240v	50Hz	N/A	N/A	PC	Ceiling / Wall	Flex & Plug

DIMENSIONS



OPTIONS

- Complete with adaptor plate
- Adjustable dish 95/145mm
- Suitable for plaster & T bar ceilings

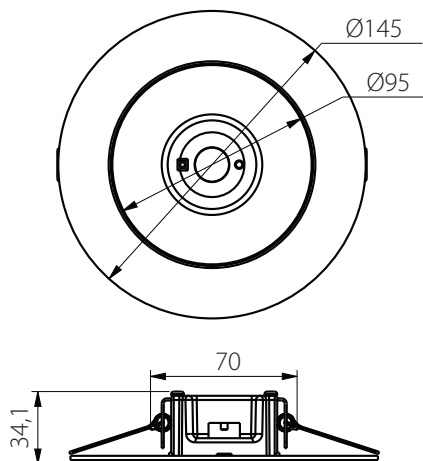
EM- 09 EVAC SERIES



PRODUCT INFORMATION

Order Code	Power	Lumens	CCT	Body Colour	CRI (Ra)	IP Rating	Beam Angle	Dimmable	Emergency	Sensor	Size	SKU Number	Carton Qty	Weight
SCI-2093-B	1.6w	200	5000k	Black	82	20	140°	N/A	YES	N/A	145/95 x 30/34mm	9376047818467	20	7.2kg
Voltage	Frequency HZ	IK Rating	Diffuser	Body Material	Mounting Type	Wiring Type								
240v	50Hz	N/A	N/A	PC	Ceiling / Wall	Flex & Plug								

DIMENSIONS



SPECIFICATIONS

- D40 Classification
- Complete with adaptor plate
- Adjustable dish 95/145mm
- Non-maintained
- 3.2v LiFePO4 battery
- Constant current mode
- SELV output
- Overcharge protection
- Polarity reversal protection for battery
- Charge time 24 Hours
- Kelvin-4500k
- Flex and Plug
- Complies with AS2293.3-2005 + AMD 1&2 Annex C
- EMC Compliant
- Suitable for plaster & T bar ceilings
- 3 year warranty*

OPTIONS

- White Spitfire Head available
- Surface mount boxes available