

Last modification 2022-11-25

## SALTER PE110-NK 9329501053874



### Overview

<b>Family name</b>	Salter
<b>Categories</b>	Pendants
<b>Mounting</b>	Surface
<b>This item includes</b>	Suspension
<b>Usage</b>	Indoor Lighting

### Color / Material

<b>Diffuser Color</b>	Opal
<b>Diffuser Material</b>	Polycarbonate

### Size

<b>Fixture Length (cm)</b>	110.0
<b>Fixture Width (cm)</b>	14.0

### Specification

<b>Voltage Input</b>	240V
<b>Wattage (max)</b>	30
<b>Globe Type</b>	LED integrated SMD
<b>Globe / Light Source qty</b>	1
<b>Globe / Light Source included</b>	Yes
<b>Lumens</b>	2100
<b>Color Temperature</b>	Natural White
<b>Color Kelvin</b>	4000k
<b>Color Rendering</b>	>85
<b>Dimmable</b>	Yes
<b>Current Output</b>	160
<b>Electrical Protection</b>	CLASS I - HIGH VOLTAGE, EARTH REQUIRED
<b>IP rating</b>	Ip20
<b>Approvals</b>	RCM
<b>Box Contents</b>	Basic mounting screws,Instruction
<b>Installation Required</b>	Yes (by Licensed Electrician only)
<b>Care Instructions</b>	Do not use strong liquid cleaners,Wipe clean with a dry cloth

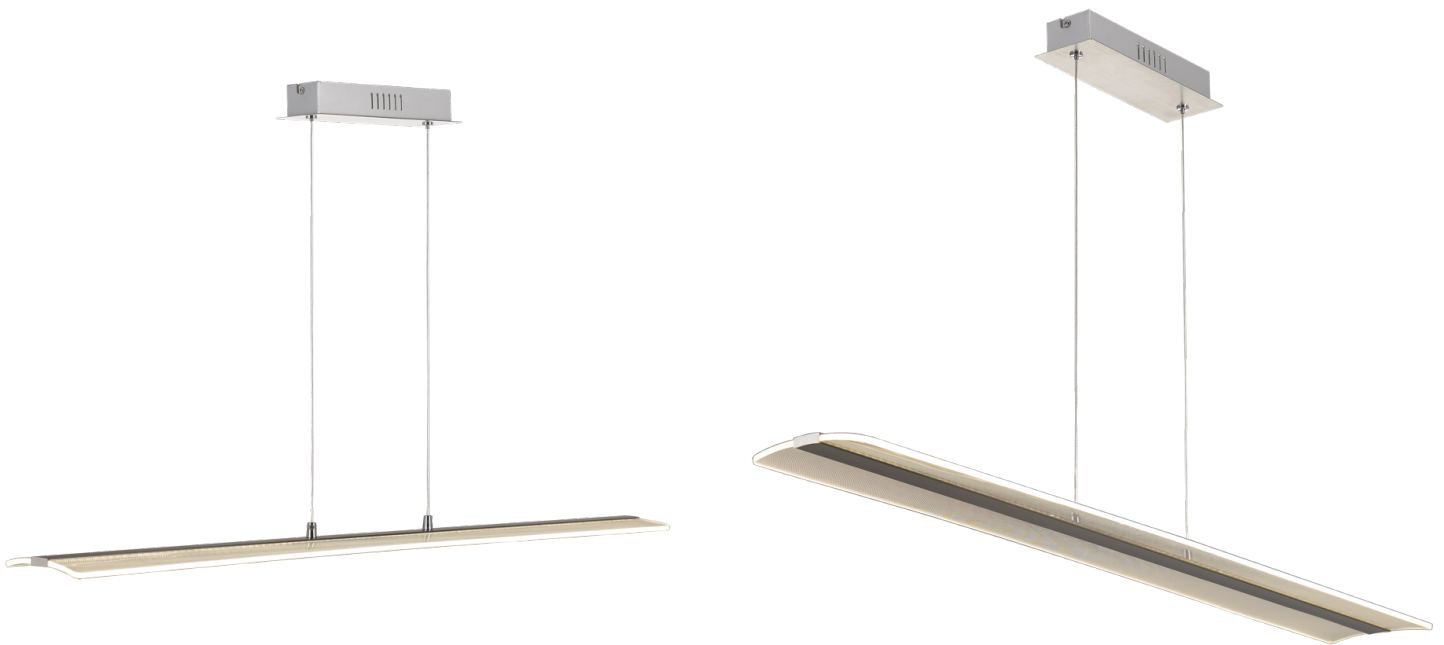
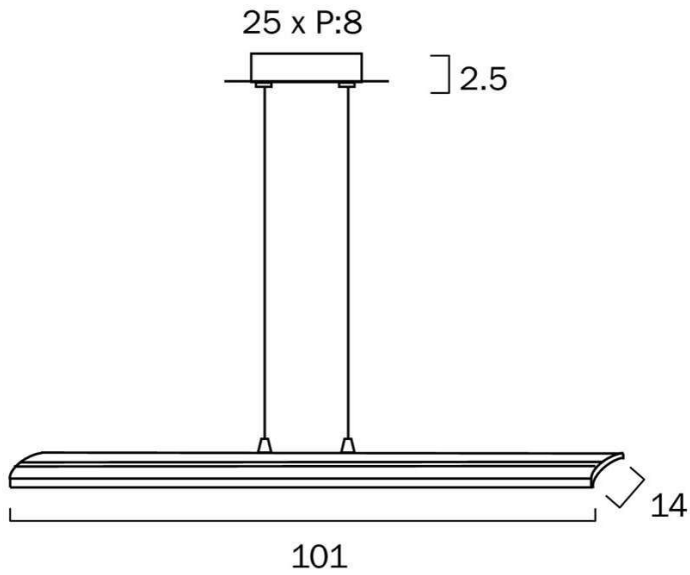
All representations within this document are subject to copyright.ELECTRICAL INSTALLATIONS MUST BE PERFORMED BY A QUALIFIED ELECTRICAL CONTRACTOR AND INSTALLED IN ACCORDANCE WITH AS/NZS 3000.  
NOTE : All images , descriptions and dimensions are indicative. Please check latest version of item detail on Telbix website prior to ordering or installation.

Replacement Warranty \*3 Years

Barcode

GTIN 9329501053874

Image -dimensions



All representations within this document are subject to copyright. ELECTRICAL INSTALLATIONS MUST BE PERFORMED BY A QUALIFIED ELECTRICAL CONTRACTOR AND INSTALLED IN ACCORDANCE WITH AS/NZS 3000.  
NOTE : All images , descriptions and dimensions are indicative. Please check latest version of item detail on Telbix website prior to ordering or installation.

