

Last modification

2022-11-24

**RYE PE20-BK**  
**9329501056899**



The RYE, hand-crafted solid brass outdoor wall light boasts traditional beauty. Clear beveled glass is used to add an additional dimension of detail and character. This vintage style fixture is a wonderful addition to an outdoor entrance. Also available in blackened brass and as a ceiling light.

## Overview

<b>Family name</b>	Rye
<b>Categories</b>	Pendants
<b>Mounting</b>	Surface
<b>This item includes</b>	Glass,Suspension
<b>Suspension Type</b>	Chain + Rod
<b>Usage</b>	Indoor Lighting,Outdoor Lighting,Trade Selection

## Color / Material

<b>Fixture Color</b>	Clear,Black
<b>Fixture Material</b>	Glass,Solid Brass
<b>Canopy Color</b>	Black
<b>Shade Material</b>	Glass
<b>Base Color</b>	Black
<b>Glass Color</b>	Clear
<b>Cable Color</b>	Clear
<b>Cable Material</b>	PVC

## Specification

<b>Voltage Input</b>	240V
<b>Wattage (max)</b>	25
<b>Globe Type</b>	E27
<b>Globe / Light Source qty</b>	1
<b>Globe / Light Source included</b>	No
<b>Dimmable</b>	No
<b>Electrical Protection</b>	CLASS I - HIGH VOLTAGE, EARTH REQUIRED
<b>IP rating</b>	IP43
<b>Approvals</b>	RCM
<b>Box Contents</b>	Basic mounting screws,Instruction

All representations within this document are subject to copyright.ELECTRICAL INSTALLATIONS MUST BE PERFORMED BY A QUALIFIED ELECTRICAL CONTRACTOR AND INSTALLED IN ACCORDANCE WITH AS/NZS 3000.  
NOTE : All images , descriptions and dimensions are indicative. Please check latest version of item detail on Telbix website prior to ordering or installation.

**Installation Required**

Yes (by Licensed Electrician only)

**Care Instructions**

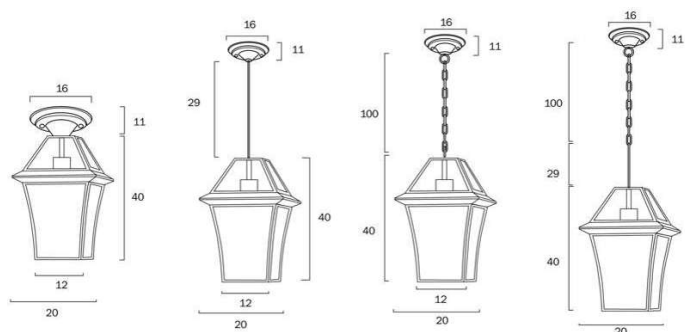
Aluminium, Brass and Stainless Steel will naturally oxidised and change overtime. Exterior products require regular four (4) monthly cleaning and maintenance to ensure they do not accumulate dirt or other environmental deposits. Wipe the product with a mild detergent and warm water to remove surface deposits. Rinse with fresh water and wipe dry with a soft cloth. An extra temporary protection barrier of water displacement oil can help to maintain the surface, such as WD40, sprayed onto a soft cloth and rubbed onto the surface.

**Replacement Warranty**

\*3 Years

**Barcode****GTIN**

9329501056899

**Image -dimensions**



Last modification

2022-11-24

**RYE PE20-BRS**  
**9329501056875**



The RYE, hand-crafted solid brass outdoor wall light boasts traditional beauty. Clear beveled glass is used to add an additional dimension of detail and character. This vintage style fixture is a wonderful addition to an outdoor entrance. Also available in blackened brass and as a ceiling light.

## Overview

<b>Family name</b>	Rye
<b>Categories</b>	Pendants
<b>Mounting</b>	Surface
<b>This item includes</b>	Glass,Suspension
<b>Suspension Type</b>	Chain + Rod
<b>Usage</b>	Indoor Lighting,Outdoor Lighting,Trade Selection

## Color / Material

<b>Fixture Color</b>	Brass,Clear
<b>Fixture Material</b>	Glass,Solid Brass
<b>Canopy Color</b>	Brass
<b>Shade Material</b>	Glass
<b>Base Color</b>	Brass
<b>Glass Color</b>	Clear
<b>Cable Color</b>	Clear
<b>Cable Material</b>	PVC

## Specification

<b>Voltage Input</b>	240V
<b>Wattage (max)</b>	25
<b>Globe Type</b>	E27
<b>Globe / Light Source qty</b>	1
<b>Globe / Light Source included</b>	No
<b>Dimmable</b>	No
<b>Electrical Protection</b>	CLASS I - HIGH VOLTAGE, EARTH REQUIRED
<b>IP rating</b>	IP43
<b>Approvals</b>	RCM
<b>Box Contents</b>	Basic mounting screws,Instruction

All representations within this document are subject to copyright.ELECTRICAL INSTALLATIONS MUST BE PERFORMED BY A QUALIFIED ELECTRICAL CONTRACTOR AND INSTALLED IN ACCORDANCE WITH AS/NZS 3000.  
NOTE : All images , descriptions and dimensions are indicative. Please check latest version of item detail on Telbix website prior to ordering or installation.

**Installation Required**

Yes (by Licensed Electrician only)

**Care Instructions**

Aluminium, Brass and Stainless Steel will naturally oxidised and change overtime. Exterior products require regular four (4) monthly cleaning and maintenance to ensure they do not accumulate dirt or other environmental deposits. Wipe the product with a mild detergent and warm water to remove surface deposits. Rinse with fresh water and wipe dry with a soft cloth. An extra temporary protection barrier of water displacement oil can help to maintain the surface, such as WD40, sprayed onto a soft cloth and rubbed onto the surface.

**Replacement Warranty**

\*3 Years

**Barcode****GTIN**

9329501056875

**Image -dimensions**