

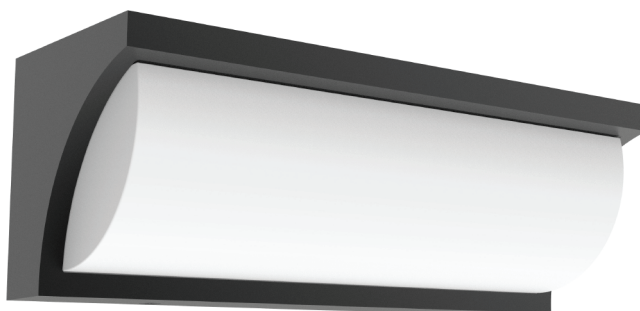
# REPISA SERIES

## Exterior LED Surface Mounted Wall Light

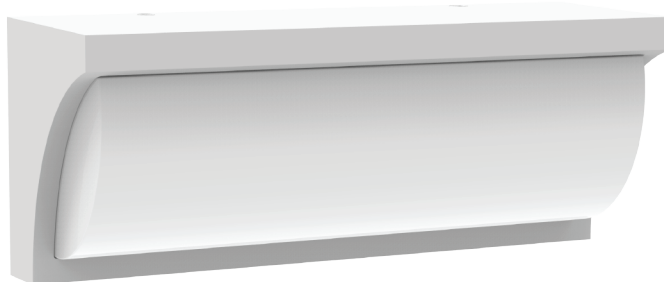
- Input voltage: 100-240V AC 50/60Hz
- Inbuilt Constant Current driver included
- Housing & heatsink: aluminium
- White diffuser: UV resistant PC
- Back plate: aluminium
- LED chips: 16pcs 2835
- Ambient temperature: -20 to 50°C
- Not suitable for dimming
- Suitable for 2 way switching
- Suitable for use with PIR sensor



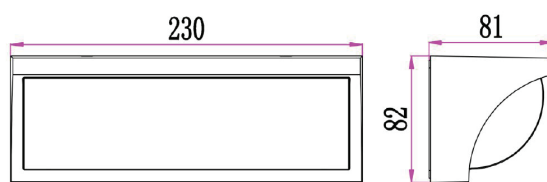
| Part No.     | REPISA01 & REPISA02                      |
|--------------|--|
| Description  | WALL LED S/M Dark Grey / WH Curved Wedge |
| Material     | Aluminium & PC                           |
| Kelvin       | 3000K                                    |
| Lumens       | 910lm                                    |
| Wattage      | 13W                                      |
| LED chips    | 16PCS 2835                               |
| Power factor | >0.9                                     |
| CRI          | >80                                      |
| Dimensions   | Please see line drawings                 |
| Back plate   | 225x77x17mm                              |
| Weight       | 0.9kg                                    |
| Box          | 24x9x9cm                                 |
| Carton QTY   | 1/8                                      |



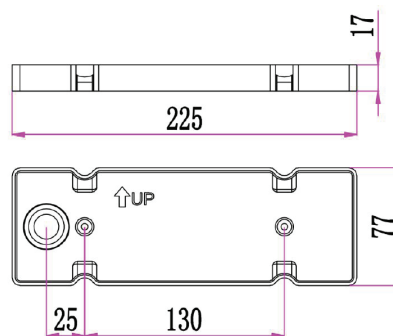
REPISA01  
(Dark grey)



REPISA02  
(White)



Line drawing



Back plate line drawing

Exterior Lighting