

EV-5812-EM

Emergency LED Bulkhead, Tri-colour, Dual Power

FEATURES

- IP65 weatherproof rating and vandal-proof IK08 rating
- 7 Years Design Life - 60,000 hours at max. ambient
- Tri-colour selectable 3000K / 4000K / 6000K
- Selectable power consumption: 17 or 27W
- Single Point Unit (SPU)
- High quality lithium battery (LiFePO4)
- Inbuilt mains rated microwave sensor
- Corridor mode



MECHANICAL	
Body Material	Polycarbonate
Diffuser Material	Polycarbonate
IK Rating	IK08
Installation Type	Surface mount
IP Rating	IP65

ELECTRICAL	
Electrical Rating (Class)	2
Input Frequency (Hz)	50
Input voltage	230Vac
In Australia the Input voltage is defined as 230Vac -6%/+10%. This effectively means that the voltage range of these products are 216Vac - 253Vac or 240V +6%	
Working Temp Range (C)	0 to 40

LAMP	
Macadam Steps (SDCM)	6-step MacAdam Ellipse
CRI	>80

LED LIFETIME	
LED Lifetime Rating	>54000
TM-21 Test Hours (hrs)	9000
Ambient Temp (°C)	25
L90B10	19000
L80B10	38000
L70B10	>54000

COLOUR TEMPERATURE	
7 Watts	
Cool White (4000)	2550 lm
27 Watts	
Warm White (3000)	2305 lm
DayLight (6000)	2470 lm
17 Watts	
Warm White (3000)	1105 lm
Cool White (4000)	1170 lm
DayLight (6000)	1145 lm

DRIVER

Dimmable	No
Driver Included	Yes
Integrated Driver	No
Driver Type	Fixed output
Wiring Type	Re-wireable terminal block (4 pin)

SENSOR (S SUFFIX)

Adjustable Detection Area / Sensitivity	Yes
Adjustable Hold Time	Yes
Adjustable Standby Level	No
Adjustable Standby Period	No
Corridor Function	Yes
Detection Range (m)	16
Dusk Mode	Yes
Lux Adjustment	Yes
Manual Override	No
Sensor Type	Microwave
Switched Output	Yes
Switched Output Rating (W)	500
Time Delay (m)	10s to 12m

EMERGENCY (EM SUFFIX)

Replacement Battery Code	1303
Emergency Duration (mins)	120
Emergency Mode	Maintained

ENERGY SAVINGS SCHEME

Ipart Approval	Yes
REES Approval	Yes
VEU Approval	Yes

COMPLIANCE

Design Life (hr)	44000
Standards	AS/NZS 60598.1 AS 60598.2.22 AS/NZS 61347.1 AS/NZS 61347.2.13 AS CISPR 15 AS/NZS 2293.3

WARRANTY

Commercial Use Warranty	3 RTB (Total 3 Years)
-------------------------	-----------------------

DIMENSIONS

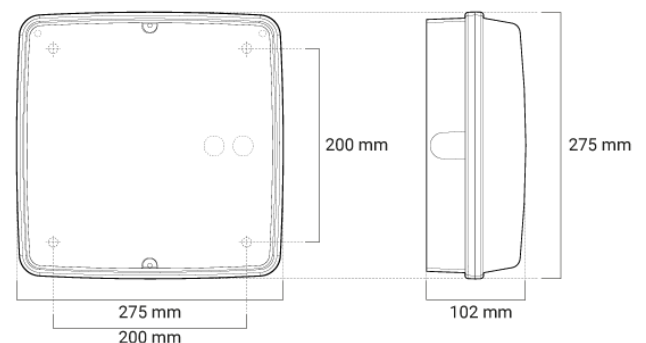
Product Height (mm)	102
Product Length (mm)	275
Product Width (mm)	275

ORDERING INFORMATION

Order code	17986
Description	EV-5812-EM-IP65-CF-LITE~27W/17W LED Emergency square bulkhead Lite IP65 with c/f sensor Tri colour
Item Code	EV-5812-EM-IP65-CF-LITE
Clearance Item	No

LINE DRAWINGS

EV/5812/EM/IP65/CF/LITE





ACCESSORIES

ORDER CODE	ITEM CODE	DESCRIPTION
01303	EV-3000mAh-6.4V-LiFeP04	Battery- Stick 3000mAh 6.4V- 2 Cell LifePO4